

FRONT LOADING REFUSE PACKER

HOME OFFICE AND PLANT

S. VINCENT BOWLES, INC.

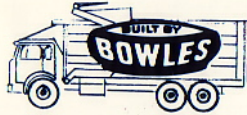
1025 South Greenwood St.
Montebello, Calif. 90640
(213) 726-2361



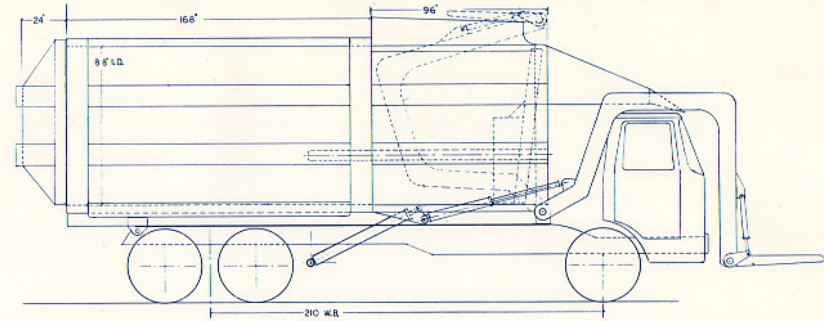
BODY SPECIFICATION:

Capacity: Compaction chamber 9 Cu Yds. Receiver 31 Cu Yds.
Arms mounted on body capacity 5000----8000 lbs. Compaction
blade push type with scissor action cylinders. Hydraulic
hopper cover. Hydraulic rear door. Cable controls, inside
and outside. Electro hydraulic proportional controls optional.

FRONT LOADING REFUSE PACKER



HOME OFFICE AND PLANT
S. VINCEN BOWLES, INC.
1025 South Greenwood St.
Montebello, Calif. 90640
(213) 726-2361



BODY SPECIFICATION:

*CAPACITY: COMPACTION CHAMBER 10 CU.YDS.
RECIEVER 33 CU. YDS.ARM MOUNTED ON BODY
CAPACITY 5000---8000 LBS. COMPACTION BLADE
PUSH TYPE WITH SCISSOR ACTION CYLINDERS.
HYDRAULIC HOPPER COVER. HYDRAULIC REAR DOOR.
CABLE CONTROLS, INSIDE AND OUTSIDE. ELECTRO
HYDRULIC PROPTIONAL CONTROLS OPTIONAL.*