

DEMPSTER

Driving into the Future

ROUTECHIEF™



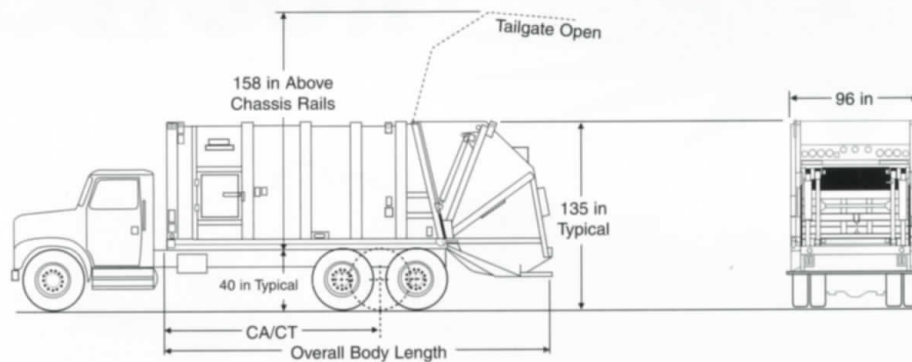
Mid-Range Rear Loader

- Swing-link packer design eliminates slides, tracks and rollers
- Simplified hydraulics for ease of maintenance
- Available in 3 body sizes
- Durable construction

supported by Dempster Parts Express

P.O. Box 1388, Highway 123 North, Toccoa, GA 30577 Ph 706.886.2327 Fx 706.886.4318 www.DempsterEquip.com sales@dempsterequip.com

ROUTECHIEF™ - Condensed Specifications



FEATURES

- Pre-crushes in hopper
- Swing link packer design, no slides, tracks or rollers
- Large 3 cu.yd hopper
- Single lever packer control
- Low loading height, hopper sill is 6 1/2 "below chassis frame rail"
- Packing cycle of 20 seconds
- Reload time 8 seconds
- Rugged full stroke ejection cylinder
- Full welded body and tailgate
- High mount light bar
- Chassis mounted hydraulic oil reservoir
- Available in 3 body sizes
- Full welded body and tailgate

BODY SPECIFICATIONS

MODELS		16	20	25
COMPACTION VOLUME	cu.yd (cu. m)	16 (12.2)	20 (15.3)	25 (19.1)
BODY WEIGHT	lbs (kg)	9,300 (4219)	9,800 (4445)	10,800 (4899)
OVERALL BODY LENGTH	in (mm)	214 (5436)	242 (6147)	278 (7061)
BODY HEIGHT ABOVE CHASSIS (Without Options)	in (mm)	95 (2413)	95 (2413)	95 (2413)

Sold and Serviced by:



DEMPSTER EQUIPMENT COMPANY,
P.O. Box 1388, Highway 123 North, Toccoa, GA 30577
TOLL-FREE 1-888-DEMPSTER/(706) 866-2327/Fx: (706) 886-4318

CHASSIS REQUIREMENTS

	16 cu.yd	20 cu.yd	25 cu.yd
Front GAWR	10,000 lb (4545 kg)	10,000 lb (4545 kg)	10,000 lb (4545 kg)
Rear GAWR	23,000 lb (10,454 kg)	23,000 lb (10,454 kg)	30,000 lb (13,636 kg)

Consult Dempster Engineering for additional details and specific applications.

MATERIAL SPECIFICATIONS

BODY	THICKNESS
Body Floor	10 ga (3.4 mm)
Sidewalls	11 ga (3 mm)
Roof	12 ga (2.7 mm)
Ejector Panel	11 ga (3 mm)

TAILGATE	THICKNESS
Sidewall	10 ga (3.4 mm)
Hopper Floor	1/16 in (4.8 mm)
Packer Blade	1/4 in (6.3 mm)
Link Shield Face	10 ga (3.4 mm)

HYDRAULIC SYSTEM

CAPACITY	
Hydraulic Pump	19.5 gal/min @ 1200 RPM (74 liters)
Hydraulic Oil Reservoir	50 gal (189 liters)

PRESSURE	
System Operating Pressure	2500 psi (19.8 MPa)

FILTRATION	
Return Line Filter	10 Micron
Intank Suction Line Strainer	
Suction line shut-off mounted at oil tank	

CYLINDERS	BORE DIA. x ROD DIA. x STROKE, in(mm)
(1) Ejector	Multi Stage Telescopic
(2) Tailgate Lift	2 1/2 x 1 1/2 x 24 in ROD (64 x 38 x 610)
(2) Packer Blade	3 x 2 x 24 in ROD (76 x 51 x 610)
(2) Link Shield	4 x 2 x 36 in ROD (102 x 51 x 904)

All designs, specifications and components are subject to change at the manufacturer's sole discretion at any time without notice. Data published herein is informational in nature and shall not be construed to warrant suitability of the unit for any particular purpose, as performance may vary with the conditions encountered.