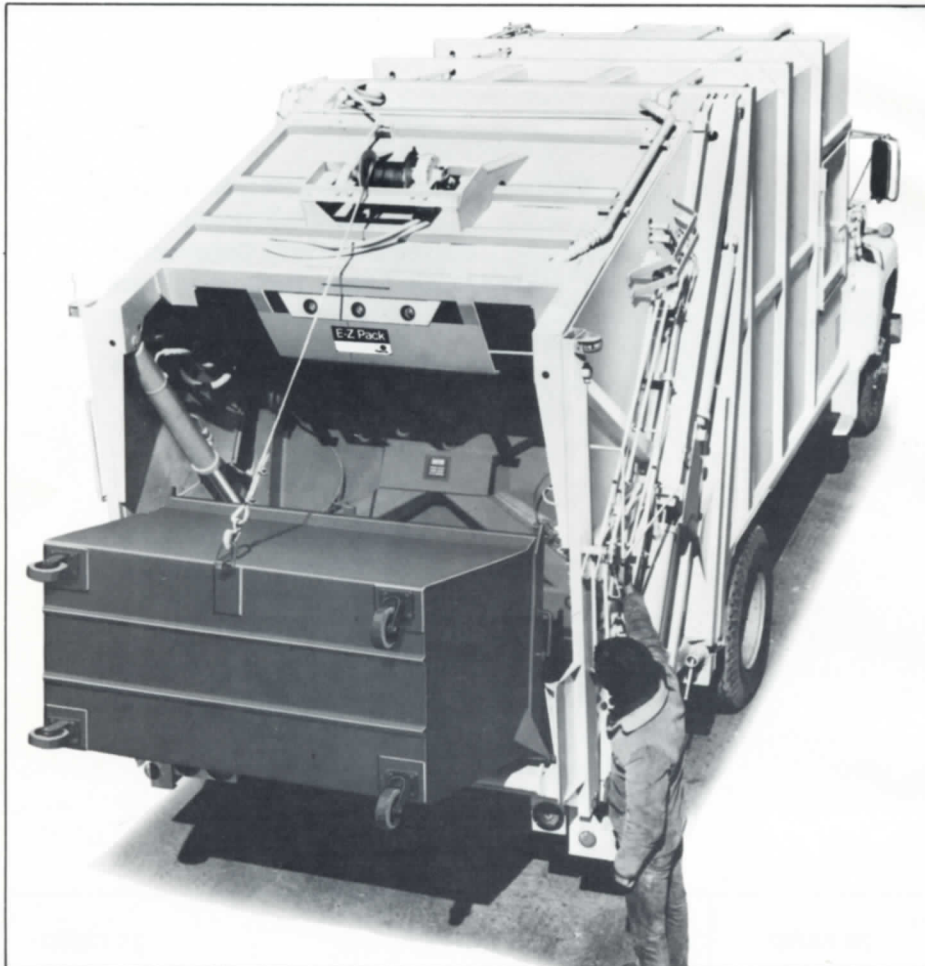


E-Z Pack® C-250

Rear Loaders for High Volume Commercial and Residential Service.



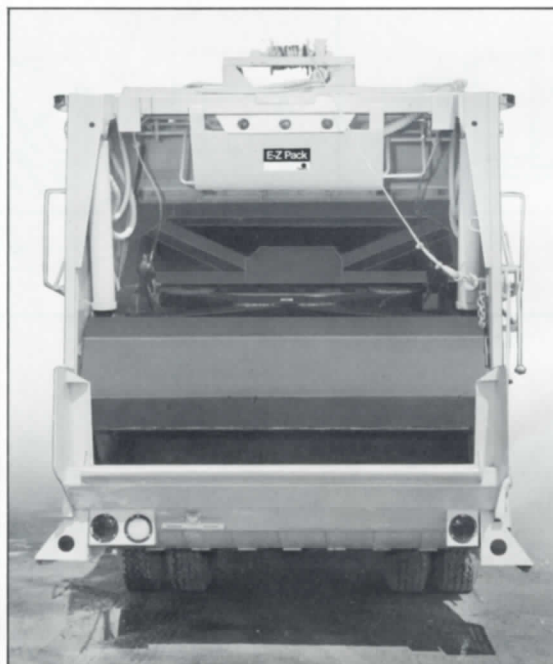
The C-250 manually operated Rear Loader gives you the capability to handle large volume containers—up to 10 cu. yds., big commercial and industrial stops as well as longer residential routes where volume and dense compaction pay off in profitability.

- High volume, fast cycling 2½ yard hopper takes care of your biggest routes... handles 1 and 2 yard containers, as well as containers up to 10 cu. yd.
- Manual controls feature "safety stop" of packer panel travel before reaching pinch point and can also reverse the panel at any point of the compaction cycle for maximum maneuverability and crew safety.
- Fall-back shield allows no fall-back of material from body to hopper—fast cycling speeds up collection time. High-lifting tailgate and clean sweeping ejector blade assures fast, clean ejection of all refuse.

These three distinctive features are just some of the many benefits you get from engineering simplicity into design.

Put our strength behind you.


Peabody Solid Wastes Management
Galion, Ohio 44833



E-Z Pack® C-250

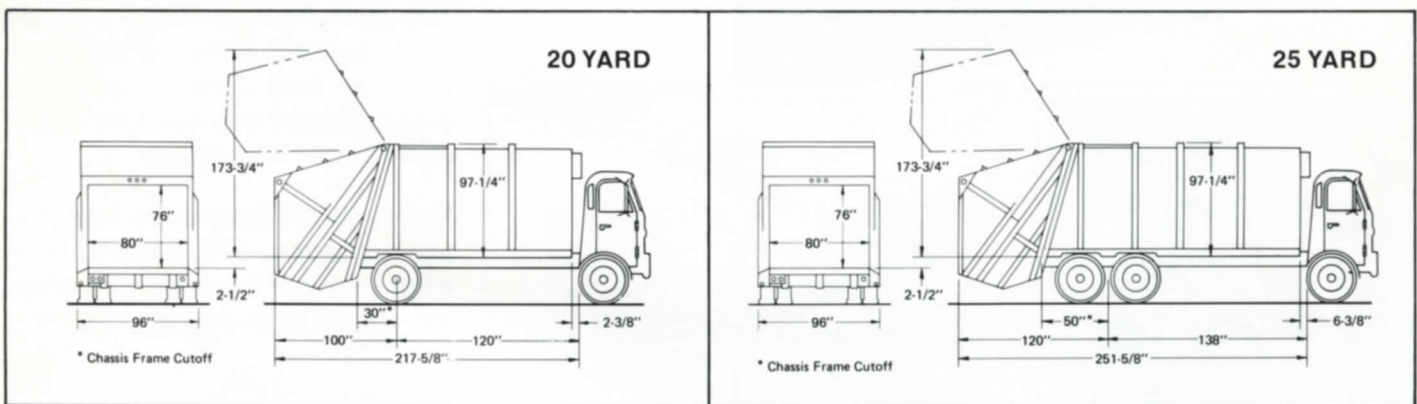
Rear Loaders Especially Designed for Contractor Use.

Operational Features

- Compaction Cycle Manually-Operated with Safety Stop Cycle
- Cycle Time 25 Seconds (approximately)
- Packer Panel Curved One-Piece Construction
- Ejector Panel Steel Guide Shoes, Floor Level Track
- Loading Height 2½" Below Chassis Frame
- Container Dumping Devices Handle Containers up to 10 Cu. Yds.

General Specifications

	20 YARD	25 YARD
Body Length Including Hopper	217 ⁵ / ₈ "	251 ⁵ / ₈ "
Body Width (inside)	89"	89"
Body Height (inside)	84"	84"
Hopper Capacity	2.5 cu. yd.	2.5 cu. yd.
Approx. Body Weight	11,650 lbs.	12,110 lbs.
Cab-to-Axle	120"	—
Cab-to-Trunnion	—	138"



Put our strength behind you.

DISTRIBUTED BY



The Proven Authority on Solid Wastes Handling Equipment and Systems
Makers of Equipment and Systems with the E-Z Pack Trademark

ALL SPECIFICATIONS SUBJECT TO CHANGE WITHOUT NOTICE.

©1974 Peabody Galion Corporation

Form No. EZ-405-PSWM Printed in U.S.A.