

E-Z Pack[®] HC-300

High Compaction Rear Loaders For Heavy Industrial and Commercial Use.



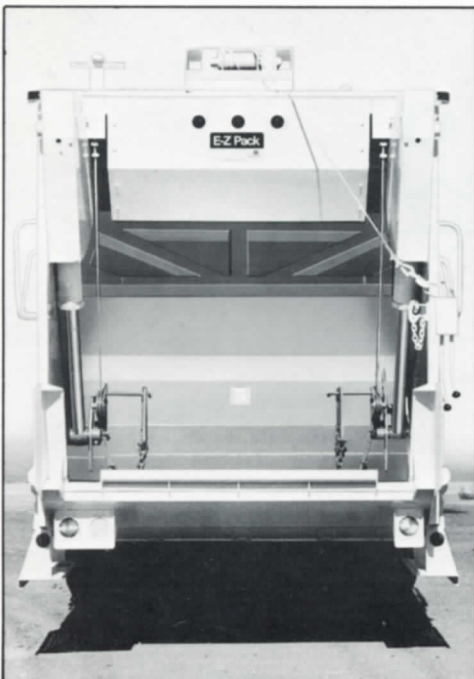
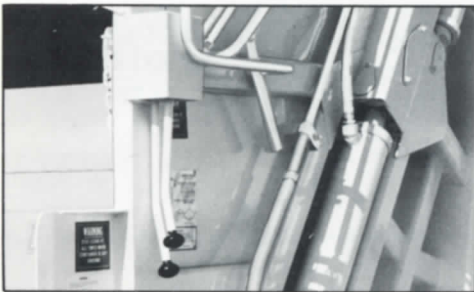
The newest and biggest member of the E-Z Pack family of Rear Loaders — manually operated for better load control and safety—has a true 1,000 lb. per yard load capability to easily handle your biggest industrial and commercial stops.

- Greater packability—1000 lb/yd—means fewer trips to the landfill... a savings of gas and money.
- Manual controls feature "safety stop" of packer panel travel before reaching pinch point and can also reverse the panel at any point of the compaction cycle for maximum maneuverability and crew safety.
- Big, brawny unit with roomy 3-yard hopper and a high capacity winch that handles the largest containers with ease.
- Higher panel lift provides safe, efficient operation—clears all hopper contents, won't knock refuse out of the hopper.
- Specially designed packer panel and hydraulics...with trouble-free ejection system for easy flow of material.

These distinctive features are just some of the benefits you get from engineering simplicity into design.

Put our strength behind you.


Peabody Solid Wastes
Management
Galion, Ohio 44833



E-Z Pack[®] HC-300

High Compaction Rear Loaders

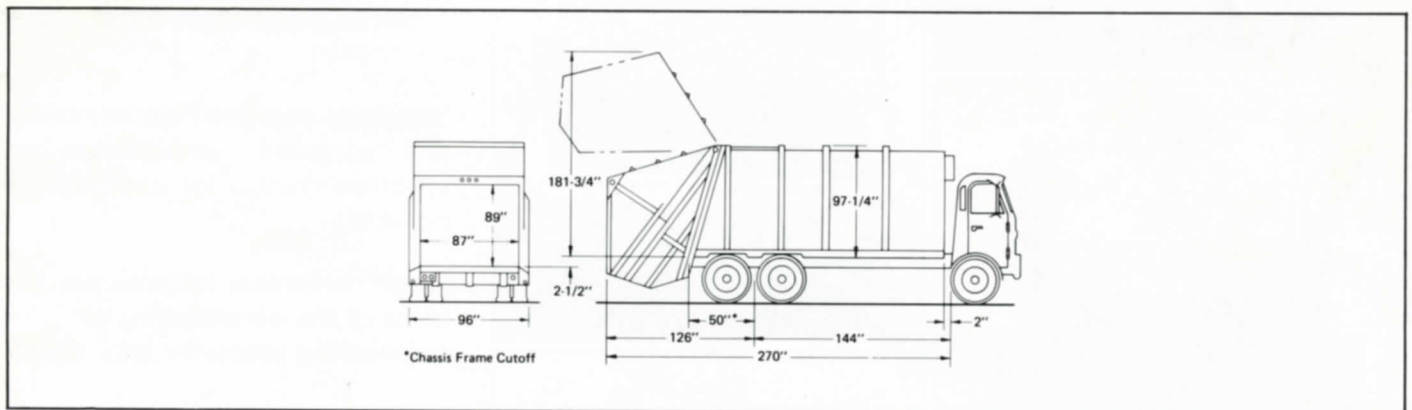
For Heavy Industrial and Commercial Use.

OPERATIONAL FEATURES

Compaction Cycle	Manually-Operated with Safety Stop Cycle
Cycle Time	Total 35—40 sec., Reload 16 sec.
Packer Plate	Curved One-Piece Construction
Ejector Panel	Steel Guide Shoes, Floor Level Track
Packing Cylinders	Positioned Away from Refuse for Clean Operation
Ejector Cylinder	Telescopic
Loading Height	2½" Below Chassis Frame

GENERAL SPECIFICATIONS

	25 YARD
Body Length including Hopper	270"
Body Width (inside)	87"
Body Height (inside)	89"
Hopper Capacity	3 cu. yd.
Approx. Body Weight	15,000 lbs.
Cab-to-Trunnion	144"



Put our strength behind you.

DISTRIBUTED BY



The Proven Authority on Solid Wastes Handling Equipment and Systems
Makers of Equipment and Systems with the E-Z Pack Trademark

ALL SPECIFICATIONS SUBJECT TO CHANGE WITHOUT NOTICE. ©1974 Peabody Galion Corporation Form No. EZ-406-PSWM Printed in U.S.A.