



VARIOPRESS

Strong performance, whatever the requirement

economical ■
environment-friendly ■
versatile ■

The versatile machine for all your modern waste-disposal needs

VARIOPRESS. The solution for the future as far as the disposal of household and commercial recyclables and waste materials is concerned. This refuse vehicle really does live up to its name, because it can be used for every requirement. Whatever the density of the waste material, whatever the size of the container. From the 60 litre bin to the 1.7 m³ container – and, on request, right up to the 4.4 m³ refillable container. The VARIOPRESS comes with DIN frames or with built-in lifters from FAUN. The extremely low loading edge, the low dead weight, and the possibility of manual loading without reconfiguration make the built-in lifters from FAUN a rewarding investment. The optional light beams at the tailgate of the VARIOPRESS allow a continuous loading mechanism cycle, even with a loading edge height of less than 1400 mm. As soon as the light beam is interrupted by the downward movement of the loading mechanism, the compactor stops. The movement can be restarted at the touch of a button. This makes it possible to avoid dangerous load situations while still operating the loading mechanism continuously.

Uncompromising quality

Many proven individual features have been improved still further, and FAUN have added a host of new ones, too. The VARIOPRESS comes for example in different widths: 2 m, 2.30 m, and 2.50 m. These options, coupled with the many advantages, guarantee that you will do best with the VARIOPRESS and FAUN – for we offer maximum quality without compromise. As the market leader FAUN invests a lot of money in development, so that you always get the most efficient and most economical solution for your needs: purpose-specific vehicles with the maximum customer use – all in one go. With our branches and service partners we are present as your partner everywhere throughout Europe. With our industrial production methods we can also deliver large orders quickly. With FAUN you can be assured that in years to come you will still be able to get the original spare parts.

How it compacts

An ingenious design for perfect compaction:

- 1 Starting position
- 2 The packer plate opens
- 3 The carrier plate comes down and the hopper shuts
- 4 The hopper is emptied
- 5 The refuse is compacted as the carrier plate ascends

A further advantage for added comfort

1 The rear part of the VARIOPRESS can be bolted and unbolted automatically.

Smooth slide travel

2 Yet another clever idea from FAUN. The patented packing we have inserted between the rollers of the carrier plate prevents refuse

from finding its way into the guide rail, thus ruling out from the outset that feared build-up of deposits that slowly blocks up the rail.



Built-in lifters from FAUN



The UNILIFT, with a lifting power of 800 kg, lifts containers from 60 l to 1.7 m³ in only 12 seconds. And its own weight is just 250 kg.



The automatically or manually controlled TWINLIFT, with its divided tipping chairs, can pick up containers from 60 l to 1.7 m³. The loading time here is only 9 seconds. And yet the TWINLIFT weighs just 480 kg.

A sensor to help save you money

6 Available as an additional VARIOPRESS feature, the patented sensor control triggers a loading cycle only when the loading body has

3 After all, the cleaner the rails, the more durable the product, and the high-tensile steel material combination makes for durable roller-bearing support.

Everything under control

4 All the control functions are available in a compact operating unit located at the rear of the vehicle. The operators thus have

everything in their sight and under control, a decisive contribution to safety.

Four operating modes are available: continuous operation; single-cycle mode (after one pass the

vehicle returns to the starting position); individual activation of each step; and semi-automatic (completes the cycle automatically on passing the shear point).

More volume

5 The ejection plate is so designed that it can be brought very close to the cab in the foremost position. This results in a large volume and a high loading capacity with a short wheelbase.



Controllable back pressure

10 The double-acting telescopic cylinder situated on the ejector plate allows the operators to regulate the back pressure. Compaction can thus be controlled according to the waste density or deactivated entirely.

Cleaner matter

9 All of the hydraulics are flushed through with a very fine filter before being used.

attained a pre-set filling level. Thus, the VARIO-PRESS minimises the number of cycles and helps you to cut costs in the shape of lower fuel consumption, less wear and reduced emissions of pollutants and noise.

Packer ram sensors

7 Leading to a marked extension of bearing and cylinder service life, the integral (and thus damage-protected)

packer ram sensors prevent heavy impacts and peak loads and, as a pleasant side-effect, reduce noise levels.

Nothing gets jammed here

8 The gap between the packer plate and the loading body expands as the plate swivels, which means that nothing can become jammed. Thanks

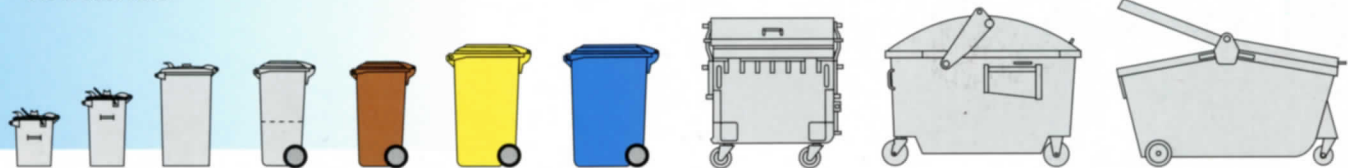
to its flexible design the hopper reacts elastically to point loads. This minimises the risk of fractures and cracks, leading to longer service life even when put through rough day-to-day use.

Your VARIOPRESS – tailored to suit your requirements

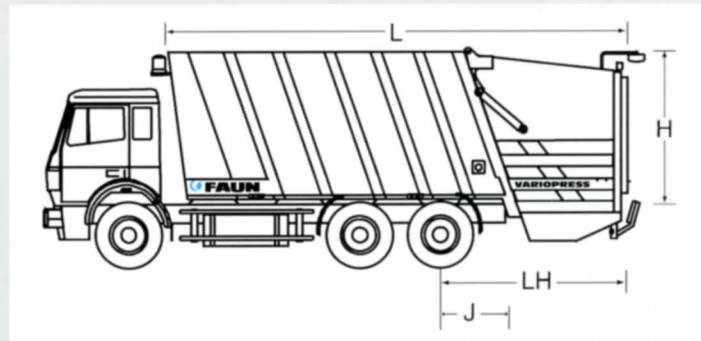
The same name, but many different guises. The VARIOPRESS is as versatile as the challenges posed by modern waste disposal are multifarious. With the VARIOPRESS you can dispose of organic wastes, low-density waste, residual waste, paper and, with certain restrictions, even bulk rubbish. Thanks to body sizes of 6 to 25 m³ and a choice of chassis ranging from the narrow-track chassis to the large three-axle version, you will always find the perfectly sized solution. You can also choose from a number of additional features such as sensor control or fluid collector tank.

FAUN is the dedicated partner of waste disposal management. From the close dialogue with our customers throughout Europe we can offer tailor-made equipment for every conceivable task. Also what you get: Because of the great choice of different vehicles and the assembly of prefabricated machine parts, with FAUN you always get fitting and hence economic solutions. As a single supplier FAUN, with its modern production, is also able to process large orders just in time – to the well known consistently high quality of course. Best of all, with our after-sales service provision our customers get: suitable financing modules such as leasing and hiring, free logistics advice, training for your personnel, the concentrated network of service stations and dealer agencies, individual FAUN maintenance contracts and the FAUN mobility guarantee.

A full range of bins and containers can be loaded by the VARIOPRESS.



TECHNICAL DATA **VARIOPRESS**



BODY		007 ⁵⁾	314.5	518	520	522	525
Body capacity	m ³	7	14.5	18	20	22	25
Weight appr. ¹⁾	kg	3,050	5,360	5,500	5,750	6,050	6,350
Length appr.	mm	3,990	6,470	6,080	6,560	6,960	7,560
Width appr.	mm	2,050	2,300	2,500	2,500	2,500	2,500
Height appr.	mm	2,030	2,320	2,490	2,490	2,490	2,490

RECOMMENDED CHASSIS ²⁾							
G. V. W.	t	10	17–19	17–19	24–26	24–26	24–26
Weight appr.	kg	3,600	5,340	5,500	6,750	6,770	6,810
Wheelbase							
Standard cab appr.	mm	2,700	4,100	4,150	4,500	4,800	5,550
Frame overhang	mm	720	500	720	850	850	750

EXAMPLE COMPLETE VEHICLE ³⁾							
Height unladen appr.	mm	2,900	3,350	3,540	3,540	3,540	3,540
Height, tailgate open appr.	mm	3,990	5,500	5,590	5,590	5,590	5,590
Length	mm	4,090	8,310	7,880	8,350	8,750	9,350
Overhang appr. ⁴⁾	mm	2,250	2,100	2,250	2,380	2,380	2,280
Weight appr.	kg	6,650	10,700	11,000	12,500	12,820	13,160
Payload ⁵⁾	kg	3,350	7,300	7,000	13,500	13,180	12,840

The chart includes only the common standard types. Beyond it other capacities are also available.

- 1) Including auxiliary frame (acc. DIN 70020)
- 2) Variations possible depending on chassis and optional equipment
- 3) Measurement from middle of last axle to rear edge of tailgate, variations possible depending on chassis
- 4) Payload will decrease when mounting optional or special equipment to chassis or body. Payload achieved may vary depending on density of collected material.
- 5) Mount without auxiliary frame (acc. DIN 70020)

FAUN
KIRCHHOFF GROUP

FAUN Municipal Vehicles Ltd.
Llangefni, Isle of Anglesey
GB-North Wales LL77 7XA
Phone: ++44 (0)12 48/72 27 77
Fax: ++44 (0)12 48/75 02 20
Internet: www.FAUN.co.uk
E-Mail: info@FAUN.co.uk

FAUN Expotec GmbH
Stefanstraße 2
D-58638 Iserlohn
Tel.: ++49 23 71/82 93-00
Fax: ++49 23 71/82 93-09
Internet: www.FAUN.com
E-Mail: info@FAUN.com