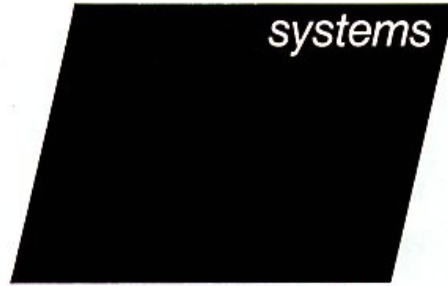
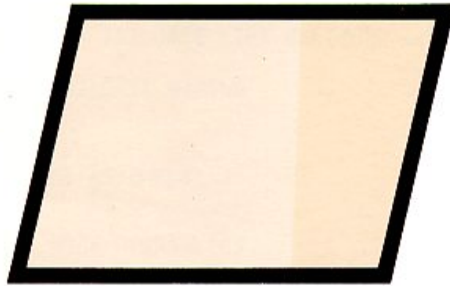
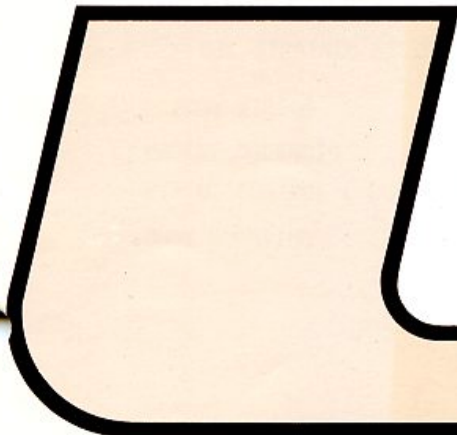


**PARTS CATALOG**

**The LP-900**  
**LOAD PACKER**



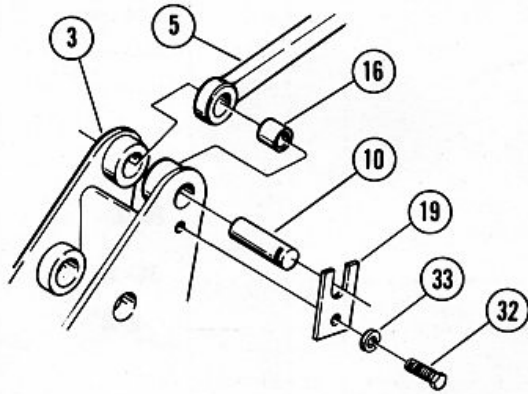
*by* **GarWood**



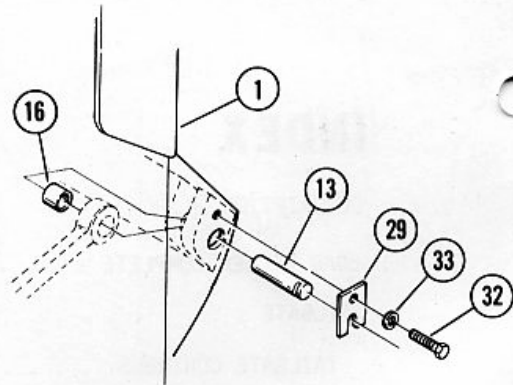
*the most complete packer for today's refuse market*

# INDEX

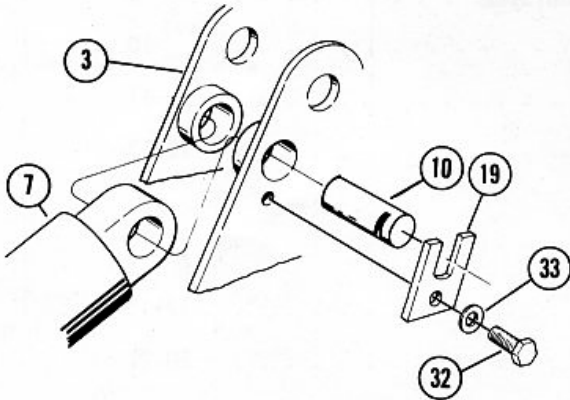
DESCRIPTION	PAGE
LOAD PACKER COMPLETE . . . . .	30-31
TAILGATE . . . . .	2-3
TAILGATE CONTROLS . . . . .	4-5
TAILGATE HYDRAULICS . . . . .	6-7
TAILGATE CONTROL VALVE . . . . .	8
PACKING CYLINDERS- INSIDE AND OUTSIDE . . . . .	9
MANIFOLD ASSEMBLY . . . . .	10
TAILGATE LIFT CYLINDER . . . . .	11
TAILGATE WIRING . . . . .	12-13
BODY ASSEMBLY . . . . .	14-15
BODY HYDRAULICS . . . . .	18-19
CONTROL VALVE ASSEMBLY . . . . .	20-21
VALVE ASSEMBLY . . . . .	22
PUMP ASSEMBLY . . . . .	23
EJECTOR CYLINDER . . . . .	24
OIL FILTER . . . . .	25
OIL STRAINER ASSEMBLY. . . . .	26
BODY WIRING . . . . .	28-29
ENGINE SOLENOID . . . . .	27
P T O CONTROL ( LEVER AND CABLE ASSEMBLY ) . . . . .	32
BODY MOUNTING . . . . .	16-17



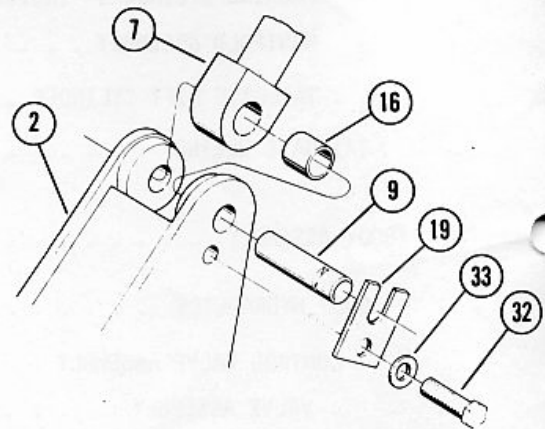
VIEW IN CIRCLE A



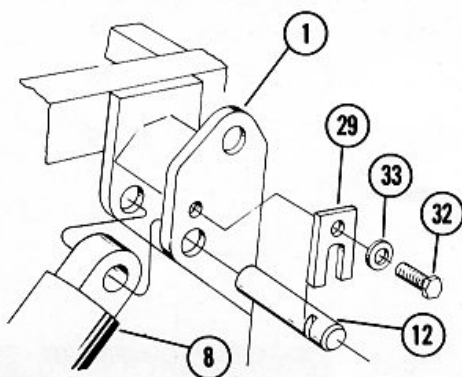
VIEW IN CIRCLE B



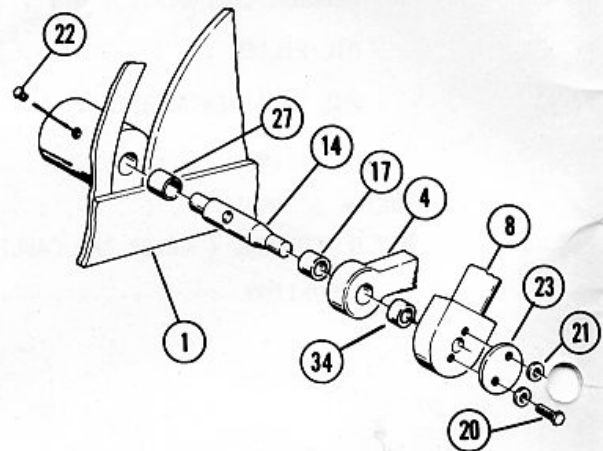
VIEW IN CIRCLE C



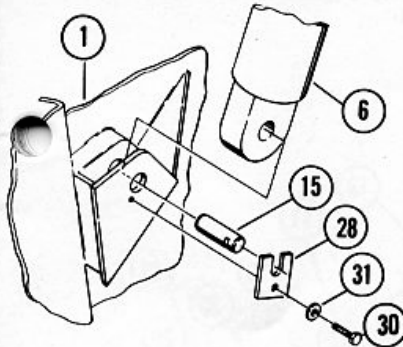
VIEW IN CIRCLE D



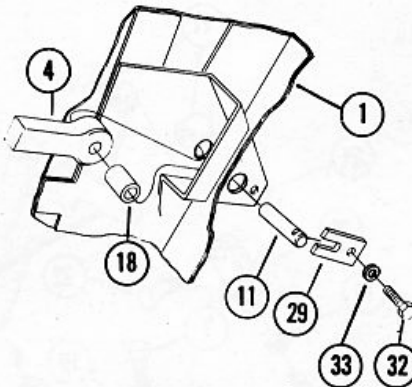
VIEW IN CIRCLE E



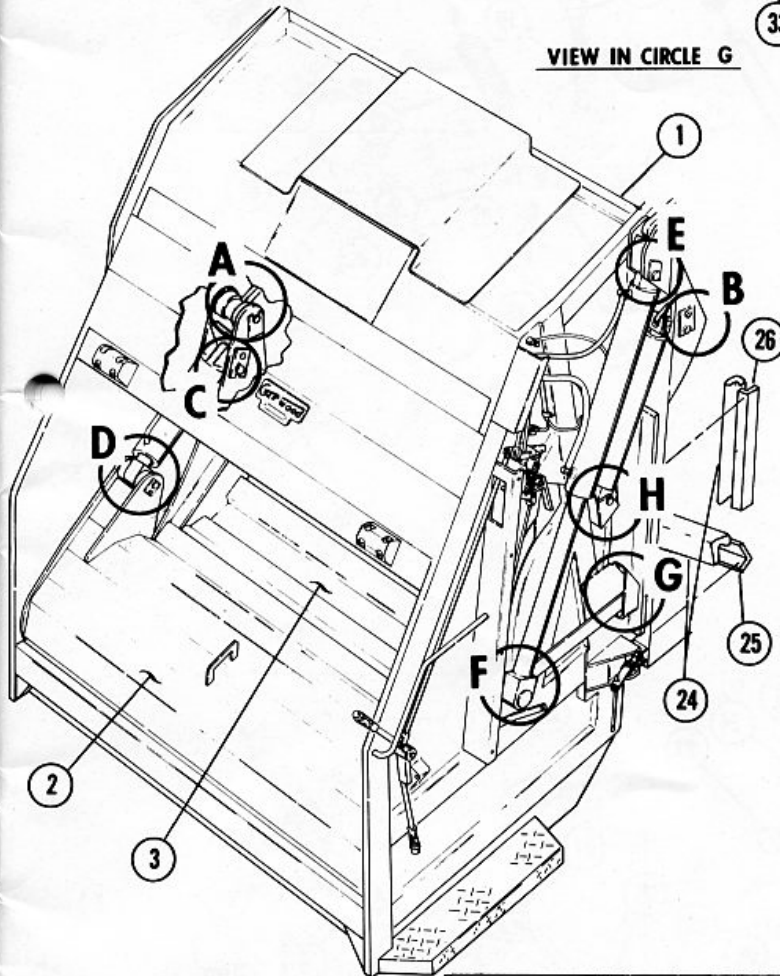
VIEW IN CIRCLE F





VIEW IN CIRCLE H



VIEW IN CIRCLE G



ITEM	PART NO.	DESCRIPTION	QTY.
1	2075181	TAILGATE WELD	1
2	2072379	LOWER PANEL	1
3	2072421	UPPER PANEL	1
4	2072469	LINK	2
5	2072470	LINK	2
6	2072357	TAILGATE LIFT CYLINDER (PAGE 11)	2
7	2072368	INSIDE PACKING CYLINDER (PG. 9)	2
8	2072369	OUTSIDE PACKING CYLINDER (PG. 9)	2
9	2072785	SHAFT	2
10	2072786	SHAFT	4
11	2072787	SHAFT	2
12	2072788	SHAFT	2
13	2072789	SHAFT	2
14	2072790	SHAFT	2
15	2072791	SHAFT	2
16	2072640-1	BEARING	6
17	2072640-2	BEARING	2
18	2072640-3	BEARING	2
19	2073455	KEEPER PLATE	8
20	105547	BOLT 1/2-20 x 7/8	4
21	102761	LOCK WASHER 1/2	4
22	2072836-2	CAP SCREW - SOCKET HD. - NYLOK	2
23	2072855	RETAINER	2
24	2072861	TAILGATE SEAL	1
25	2072552	ANGLE	3
26	2072862	ANGLE	2
27	2072640-6	BEARING	2
28	2073422	KEEPER PLATE	2
29	2073423	KEEPER PLATE	6
30	103232	CAP SCREW 3/8-24 x 7/8	2
31	102759	LOCK WASHER 3/8	2
32	103324	CAP SCREW 5/8-18 x 1"	12
33	102763	LOCK WASHER 5/8	12
34	2072640-7	BEARING	2

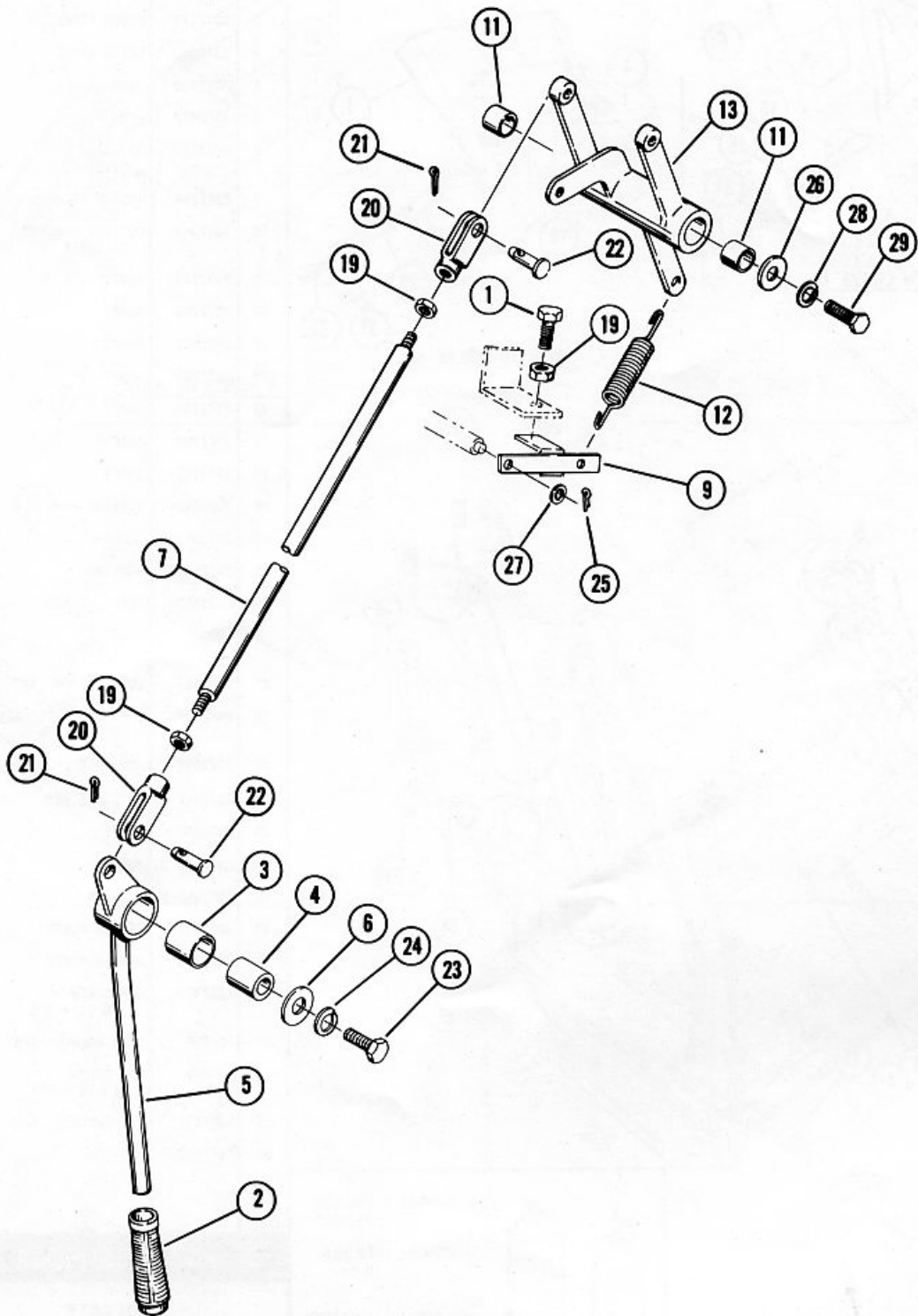



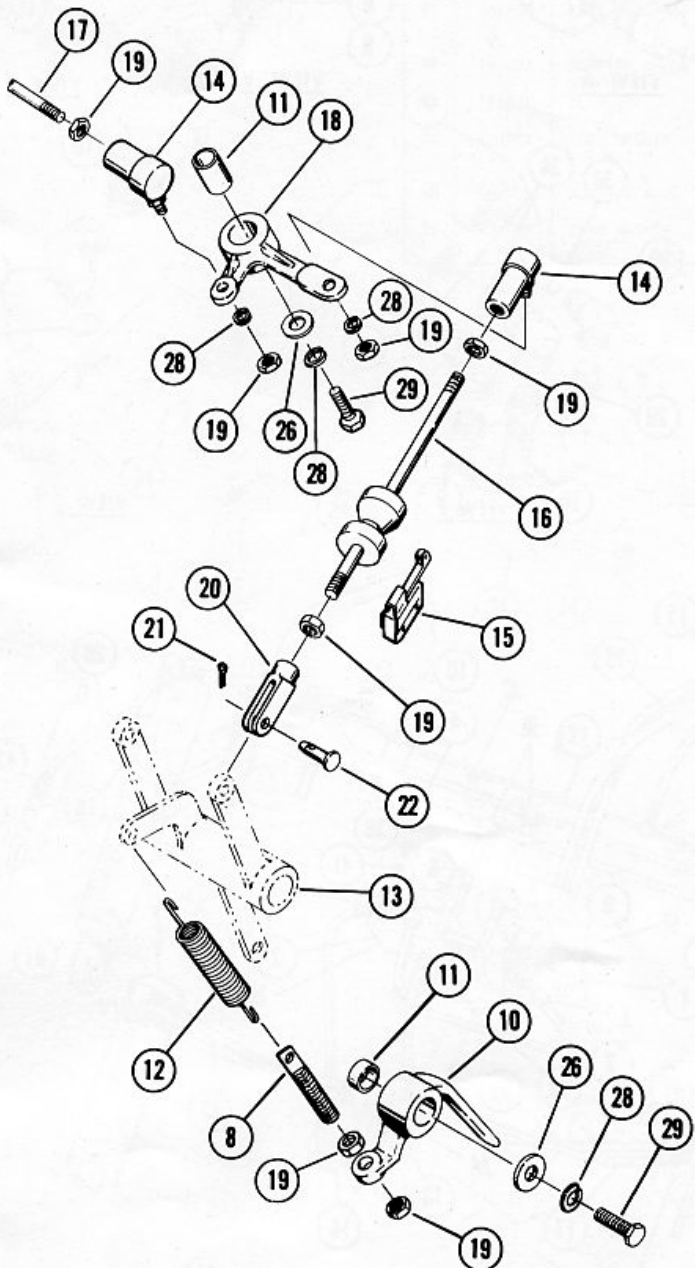
**A** 2076592 - LOCTITE 250 cc  
**B** 2076591 - PRIMER 8 oz.

NOTE: USE PER INSTRUCTIONS IN O & M MANUAL


**LOAD PACKER 900**  
**TAILGATE 2072860**





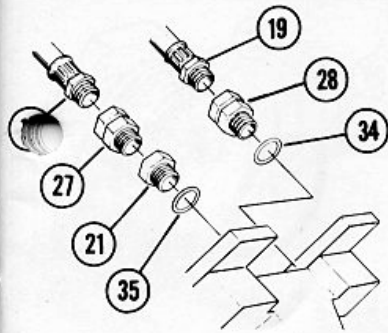


ITEM	PART NO.	DESCRIPTION	QTY.
1	103292	BOLT - HEX HD. 1/2-20 x 1-1/2	1
2	2069844	GRIP	1
3	2072640-9	BEARING	1
4	2073186	SPACER	1
5	2076176	HANDLE - WELD	1
6	102743	WASHER - FLAT	1
7	2075139	ROD - WELD ASSY.	1
8	2073169	ROD	1
9	2076168	LEVER WELD ASSY.	1
10	2074901	PIVOT ASSY.	1
11	2072640-10	BUSHING	4
12	2073181	SPRING (19 COILS)	2
13	2074903	PIVOT ASSY.	1
14	2067386	BALL JOINT	2
15	2033580	SWITCH	1
16	2074968	ACTUATOR WELD. ASSY.	1
17	2072690	ROD - WELD. ASSY.	1
18	2074902	BELL CRANK ASSY.	1
19	103802	JAM NUT	10
20	105701	CLEVIS	3
21	105887	COTTER PIN	3
22	105708	CLEVIS PIN - 1/2 DIA. x 1-23/64	3
23	103312	BOLT - HEX HD. - 5/8-11 x 2-1/4	1
24	102763	LOCK WASHER - 5/8 I.D.	1
25	106498	COTTER PIN - 3/32 x 5/8	1
26	102741	FLAT WASHER - 9/16 I.D.	3
27	102970	FLAT WASHER	1
28	102761	LOCK WASHER	5
29	103274	BOLT - HEX HD. - 1/2-13 x 1	3

**GarWood** LOAD PACKER 900

TAILGATE CONTROLS

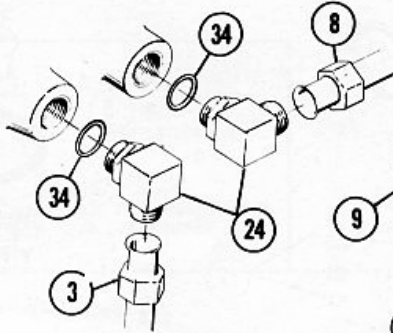




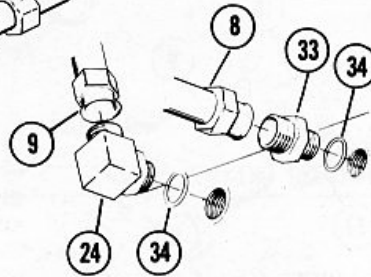
**VIEW G**



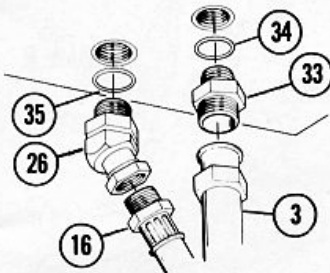
**VIEW H**



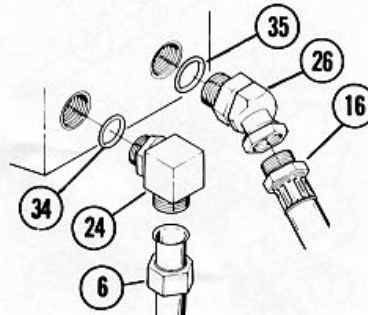
**VIEW I**



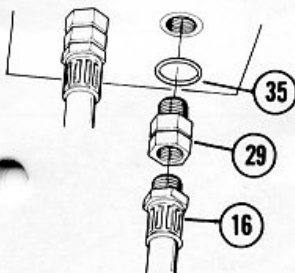
**VIEW J**



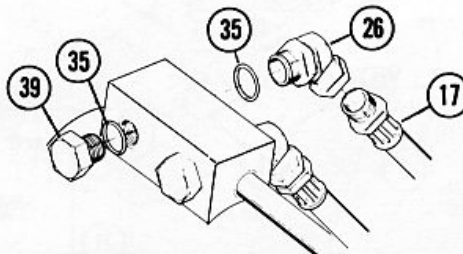
**VIEW K**



**VIEW L**



**VIEW M**



**VIEW N**

ITEM	PART NO.	DESCRIPTION	QTY.	ITEM	PART NO.	DESCRIPTION	QTY.
37	103278	HEX BOLT - 1/2-13 x 2	3	1	2072353	VALVE ASSEMBLY SEE PAGE 8	1
38	103222	HEX BOLT - 3/8-16 x 3/4	4	2	2072372	MANIFOLD ASSY. SEE PAGE 10	1
39	107529	PLUG	4	3	2073317	TUBE ASSY.	1
40	102761	LOCK WASHER - 1/2 I.D.	3	4	2073318	TUBE ASSY.	1
41	102759	LOCK WASHER - 3/8 I.D.	4	5	2073319	TUBE ASSY.	1
42	107400	ADAPTER UNION	2	6	2073320	TUBE ASSY.	1
43	112931	CLIP	2	7	2073321	TUBE ASSY.	1
44	102757	LOCK WASHER - 1/4 I.D.	2	8	2073322	TUBE ASSY.	1
45	102716	NUT - 1/4-20	2	9	2073323	TUBE ASSY.	1
46	102737	FLAT WASHER	4	10	2073456	TUBE ASSY.	1
				11	2073483	TUBE ASSY.	1
				12	2073484	TUBE ASSY.	1
				13	2074116	MANIFOLD W.A.	1
				14	2073397	THROTTLE VALVE	2
				15	2073246	HOSE ASSY. - 3/4 x 46-1/2	1
				16	2073247	HOSE ASSY. - 3/4 x 48	2
				17	2073249	HOSE ASSY. - 3/4 x 35	4
				18	2073251	HOSE ASSY. - 1 x 29-1/2	4
				19	2073253	HOSE ASSY. - 1 x 47-1/2	1
				20	2073254	HOSE ASSY. - 1/2 x 45	3
				21	2066405	FITTING	1
				22	115021	TEE - 3/8 x 1/2	1
				23	112908	TEE - 1"	2
				24	112914	ELBOW	4
				25	112912	ELBOW	2
				26	107796	ADAPTER UNION	6
				27	106163	ADAPTER UNION	1
				28	115044	ADAPTER UNION	1
				29	107815	ADAPTER UNION	2
				30	107785	ADAPTER UNION	2
				31	107791	ADAPTER UNION	8
				32	107435	ADAPTER UNION	1
				33	112892	FITTING	6
				34	107527	"O" RING - 1"	19
				35	107528	"O" RING - 3/4	13
				36	107559	"O" RING - 1/2	4

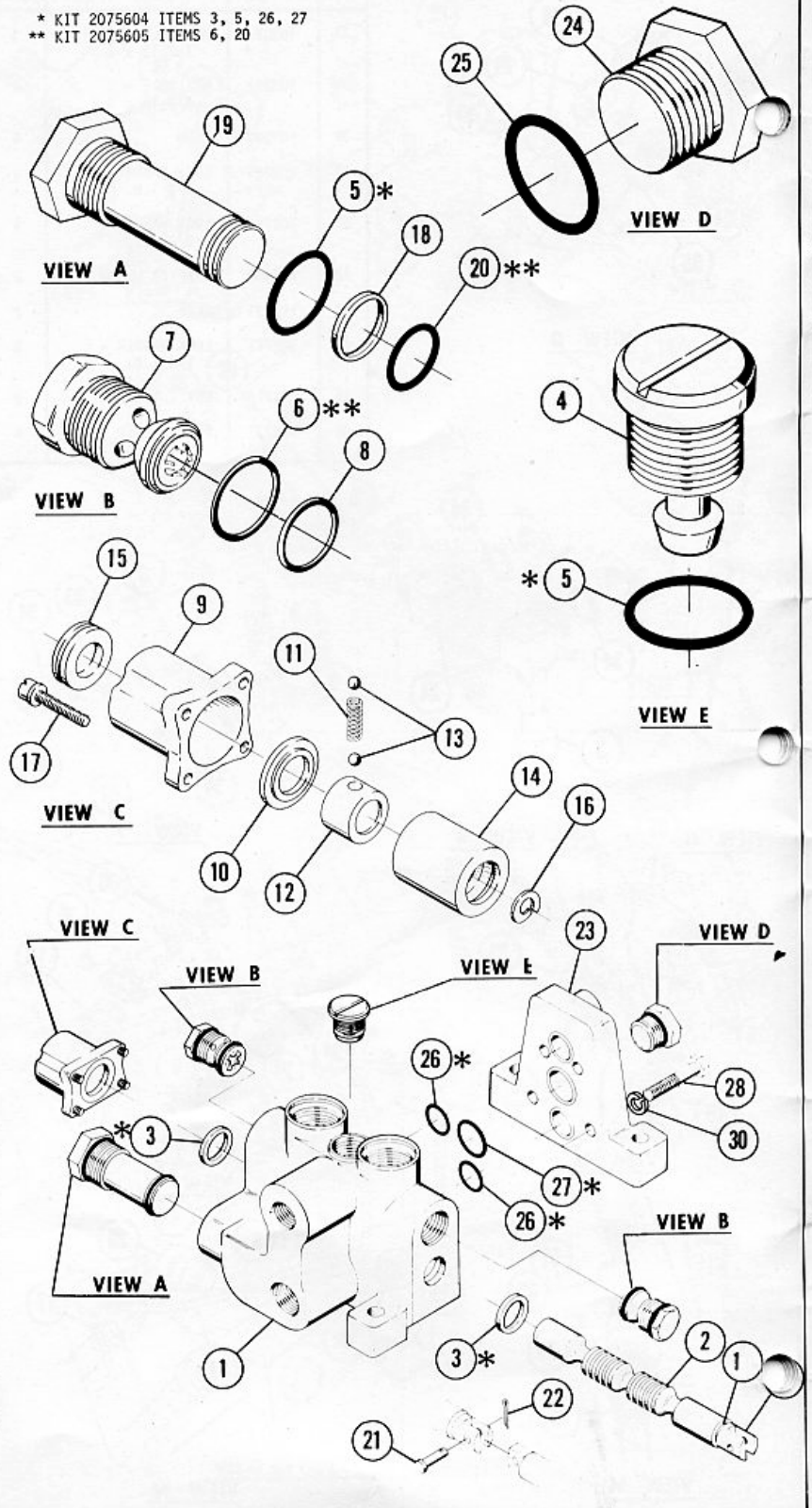
**GarWood**

**LOAD PACKER 900**

**TAILGATE HYDRAULICS**

ITEM	PART NO.	DESCRIPTION	QTY.
1	2075564	HOUSING ASSY. - END INLET (ITEM 2 INCLUDED)	1
2		SPOOL - 4-WAY	1
3	2075566	SEAL - SPOOL	2
4	2075602	PLUG - CHECK ASSY.	1
5	107573	"O" RING	2
6	115094	"O" RING	2
7	2075598	BONNET	2
8	115093	"O" RING	2
9	2075576	BONNET	1
10	2075577	SPACER - DETENT	1
11	2075578	SPRING - DETENT	1
12	2075579	DETENT - HOLDER	1
13	107345	BALL - STEEL	2
14	2075581	SLEEVE - 3-POSITION DETENT	1
15	2075582	DIAPHRAGM - BONNET	1
16	2075583	WASHER - LOCK	2
17	2075584	SCREW - LOCK FILL.	4
18	108952	WASHER - TEFLON BACK-UP	1
19	2075586	PLUG ASSY. - NO RELIEF	1
20	115091	"O" RING	1
21	2075588	PIN - HANDLE	1
22	2075589	PIN - COTTER	1
23	2075590	SECTION - LEFT COVER	1
24	2075591	PLUG - CONVERSION	1
25	107527	"O" RING	1
26	115092	"O" RING - SECTION	2
27	115095	"O" RING - SECTION	1
28	102582	BOLT	4
29	2075597	ADAPTOR - VALVE HANDLE	1
30	102759	LOCK WASHER	4

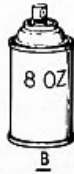
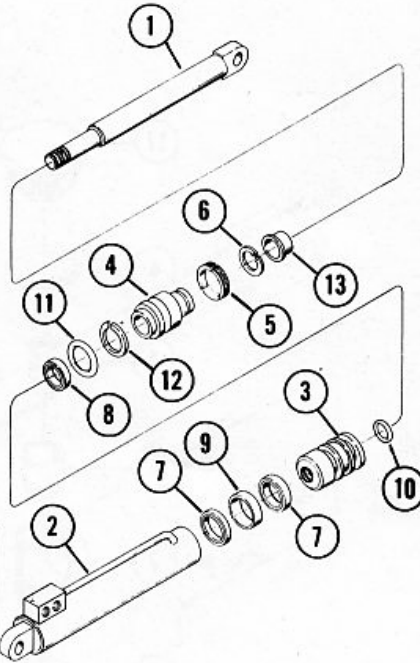
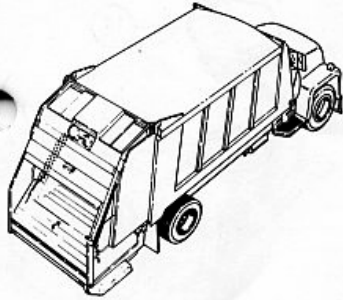
\* KIT 2075604 ITEMS 3, 5, 26, 27  
 \*\* KIT 2075605 ITEMS 6, 20



**GarWood** | **LOAD PACKER 900**

**TAILGATE CONTROL VALVE**  
**2072353**





A 2076592 - LOCTITE  
250 cc

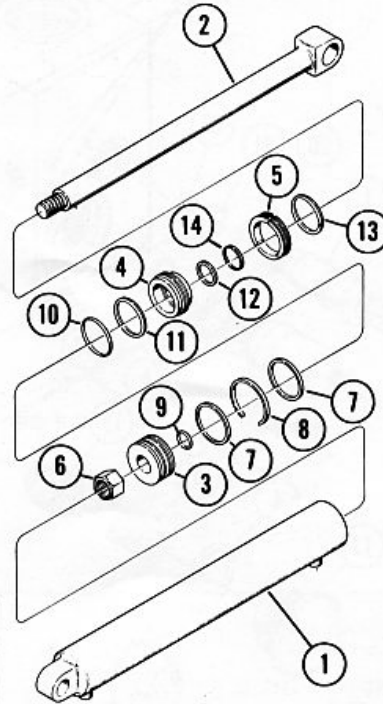
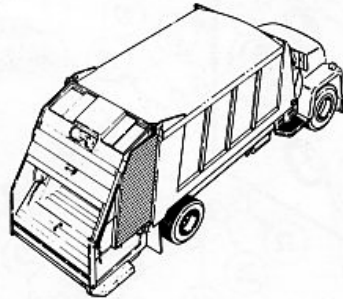
B 2076591 - PRIMER  
8 oz.

NOTE:  
USE PER INSTRUCTIONS  
IN O & M MANUAL

2072368

INSIDE PACKING CYLINDER

ITEM	PART NO.	DESCRIPTION	QTY.
1	2074122	PISTON ROD ASSY.	1
2	2074123	BUTT & TUBE ASSY.	1
3	2074124	PISTON	1
4	2074125	GLAND	1
5	2074126	TRIPLE LOCK RETAINER	1
6	*2074127	SNAP RING	1
7	*2074128	"O-U" CUP	2
8	*2074129	"O-U" CUP	1
9	*2074465	BEARING RING	1
10	*107607	"O" RING	1
11	*106877	"O" RING	1
12	*2074134	B/U WASHER	1
13	*2074135	WIPER	1
	*2074132	PACKING KIT (ITEMS 6-13 PROVIDED IN KIT)	1



A 2076592 - LOCTITE  
250 cc

B 2076591 - PRIMER  
8 oz.

NOTE:  
USE PER INSTRUCTIONS  
IN O & M MANUAL

2072369

OUTSIDE PACKING CYLINDER

ITEM	PART NO.	DESCRIPTION	QTY.
1	2074460	BUTT & TUBE ASSY.	1
2	2074461	PISTON ROD ASSY.	1
3	2074462	PISTON	1
4	2074463	GLAND	1
5	2074126	TRIPL - LOCK RETAINER	1
6	2074464	HEX NUT	1
7	*2074128	"O-U" CUP	2
8	*2074465	BEARING RING	1
9	*107607	"O" RING	1
10	*107744	"O" RING	1
11	*2074466	B/U WASHER	1
12	*2074234	"O-U" CUP	1
13	*2074127	SNAP RING	1
14	*2074468	WIPER	1
	*2074467	PACKING KIT ( ITEMS 7-14 PRODUCED IN KIT )	1

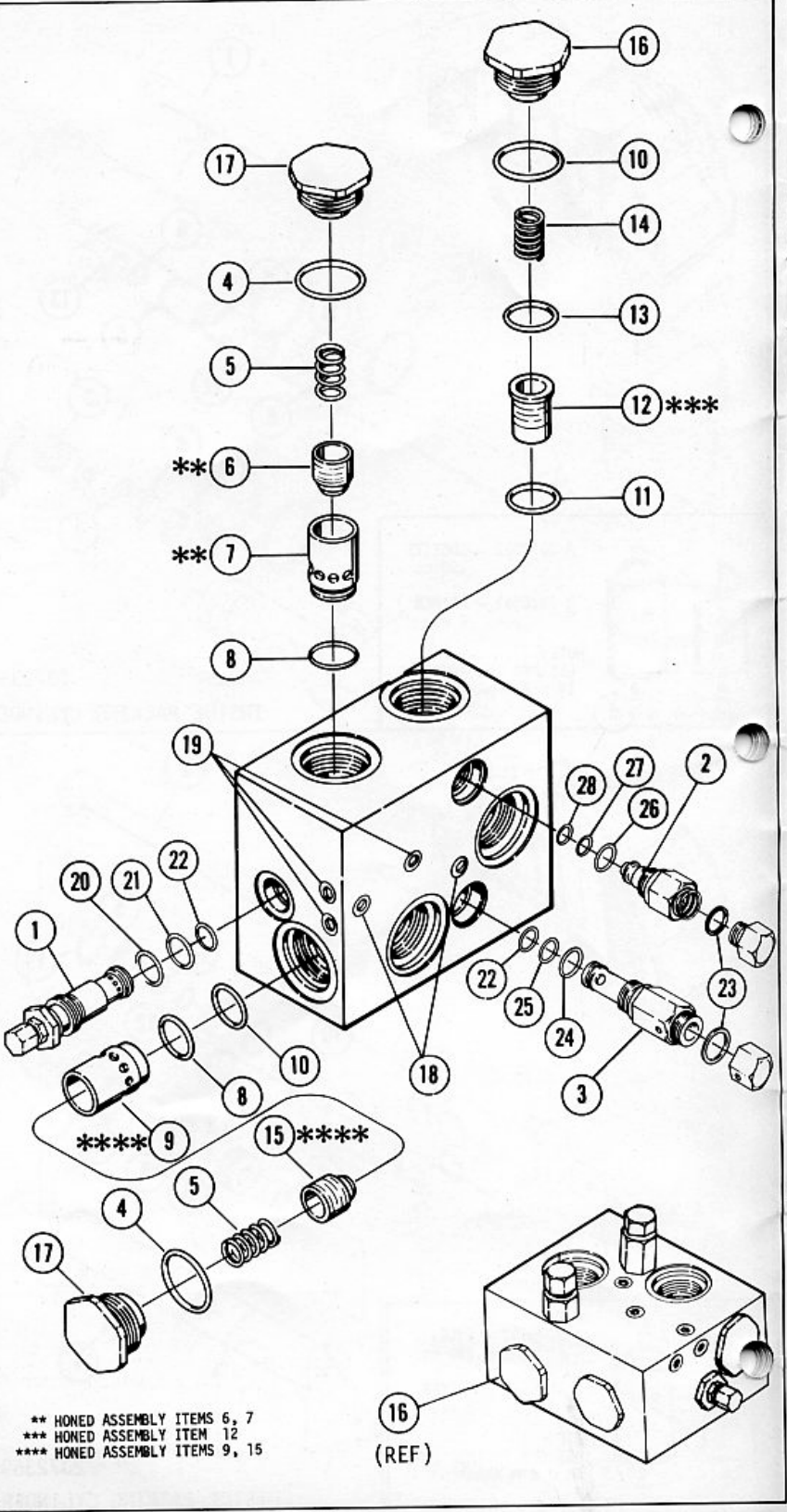
GarWood

LOAD PACKER 900

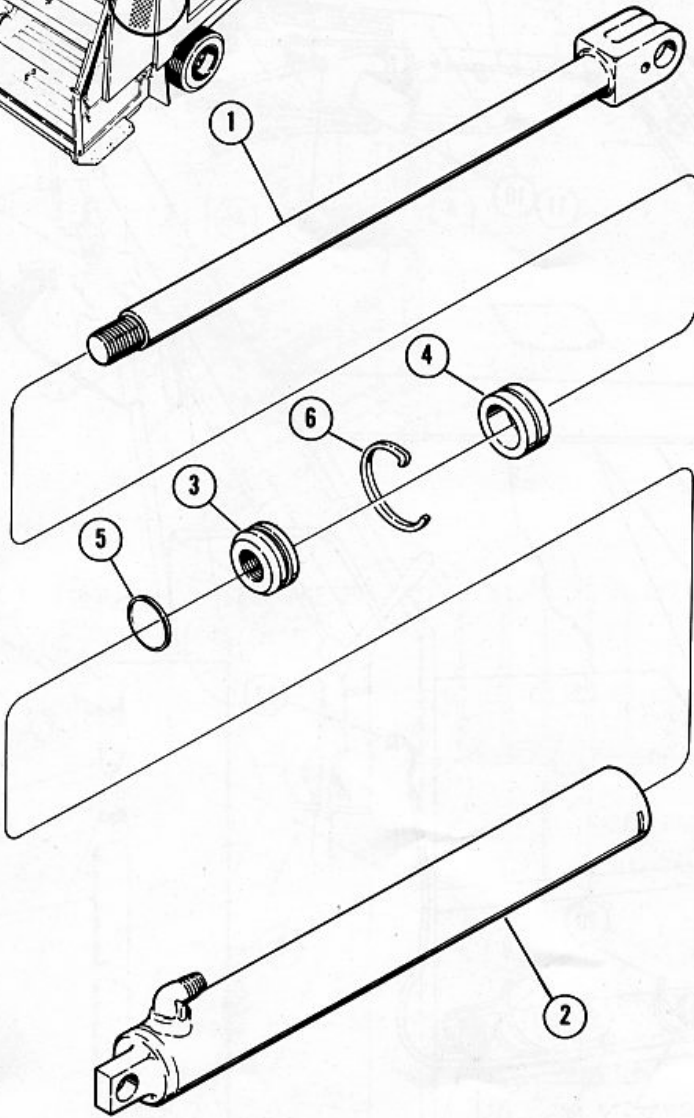
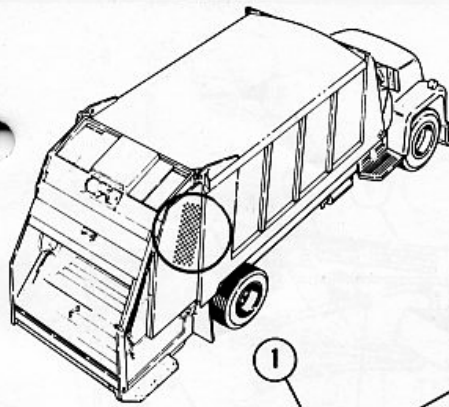
PACKING CYLINDERS

ITEM	PART NO.	DESCRIPTION	QTY.
1	*2074238	UNLOADING VALVE CARTRIDGE	1
2	*2074239	REGENERATION VALVE CARTRIDGE	1
3	*2074240	RELIEF VALVE CARTRIDGE	1
4	107574	"O" RING	2
5	2074242	SPRING - CHECK VALVE	2
6	*2074243	HONED ASSEMBLY	1
7		SLEEVE	1
8	115093	"O" RING	2
9	*2074246	SLEEVE ASSEMBLY	1
10	105379	"O" RING	2
11	115129	"O" RING	1
12	*2074249	HONED ASSEMBLY	1
13	115130	"O" RING	1
14	2074251	SPRING	1
15		POPPET	1
16	2075386	PLUG	1
17	2075387	PLUG	2
18	100026	PIPE PLUG 1/8	3
19	100029	PIPE PLUG 1/4	4
20	107624	"O" RING	1
21	105503	"O" RING	1
22	115087	"O" RING	1
23	2074241	GASKET	2
24	115122	"O" RING	1
25	2074245	BACK-UP RING	2
26	2074247	"O" RING	1
27	2074248	BACK-UP RING	2
28	2074250	"O" RING	1

**\*NOTE:**  
THESE ITEMS TO BE REPLACED AS A COMPLETE ASSEMBLY ONLY.



**GarWood** | **LOAD PACKER 900**  
**MANIFOLD ASSEMBLY**  
**2072372**



VIEW IN CIRCLE



A



B

A 2076592 - LOCTITE  
250 cc

B 2076591 - PRIMER  
8 oz.

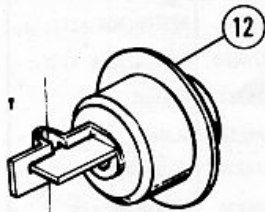
NOTE:  
USE PER INSTRUCTIONS  
IN O & M MANUAL

ITEM	PART NO.	DESCRIPTION	QTY.
1	2076381	PISTON ROD ASSY.	1
2	2074230	BUTT & TUBE ASSY.	1
3	2076382	PISTON	1
4	2074232	GLAND	1
5	*2074234	"O-U" CUP	1
6	*2074236	RETAINING RING	1
7	2074235	PACKING KIT (ITEMS 5-6)	1

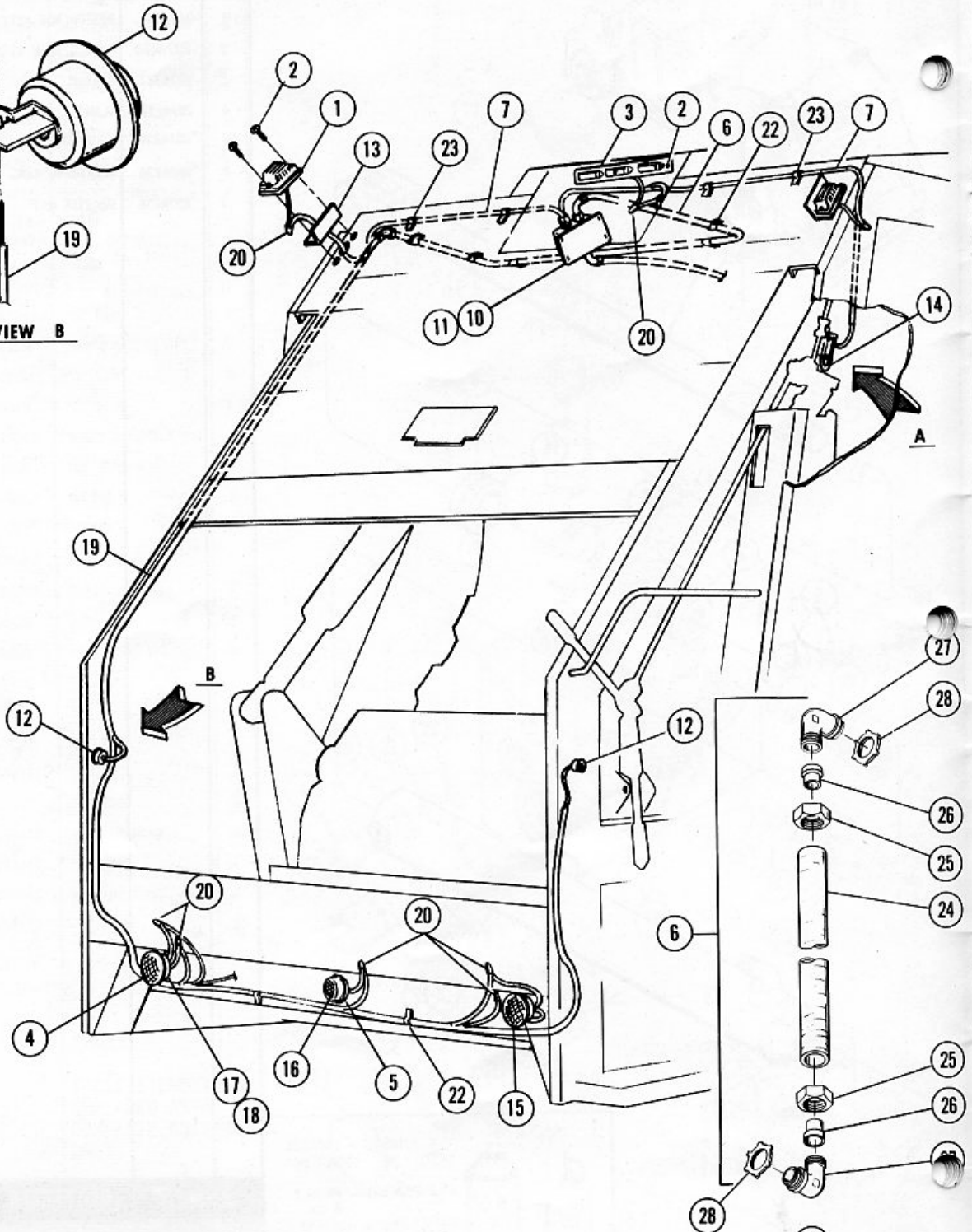
GarWood

LOAD PACKER 900

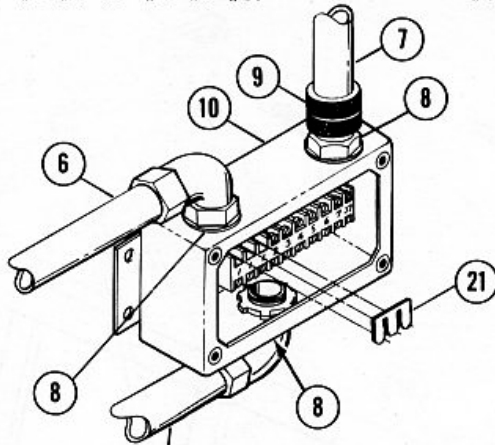
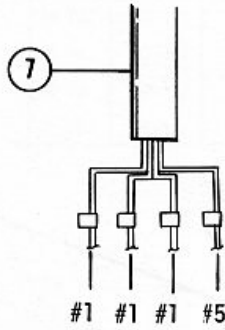
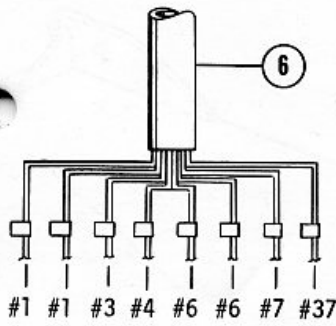
TAILGATE LIFT CYLINDER  
2072357



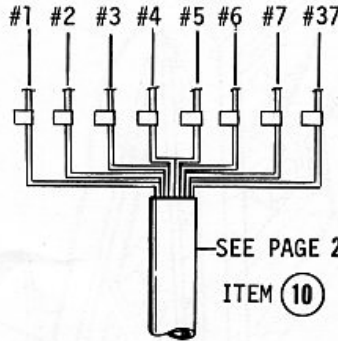
VIEW B



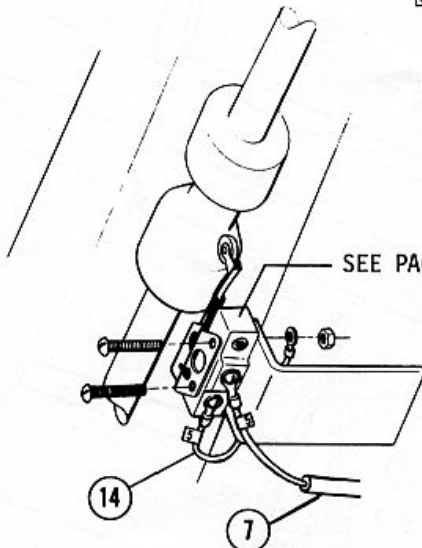
ITEM 6 2073772  
CONDUIT ASSEMBLY



SEE PAGE 28  
ITEM (10)



SEE PAGE 28  
ITEM (10)



VIEW A

WIRING CODE

- 1 TAIL & CLEARANCE LIGHTS
- 2 OPEN
- 3 LEFT TURN & STOP
- 4 RIGHT TURN & STOP
- 5 SOLENOID SWITCH
- 6 BUZZER
- 7 OPEN
- 8 BACK-UP LIGHT

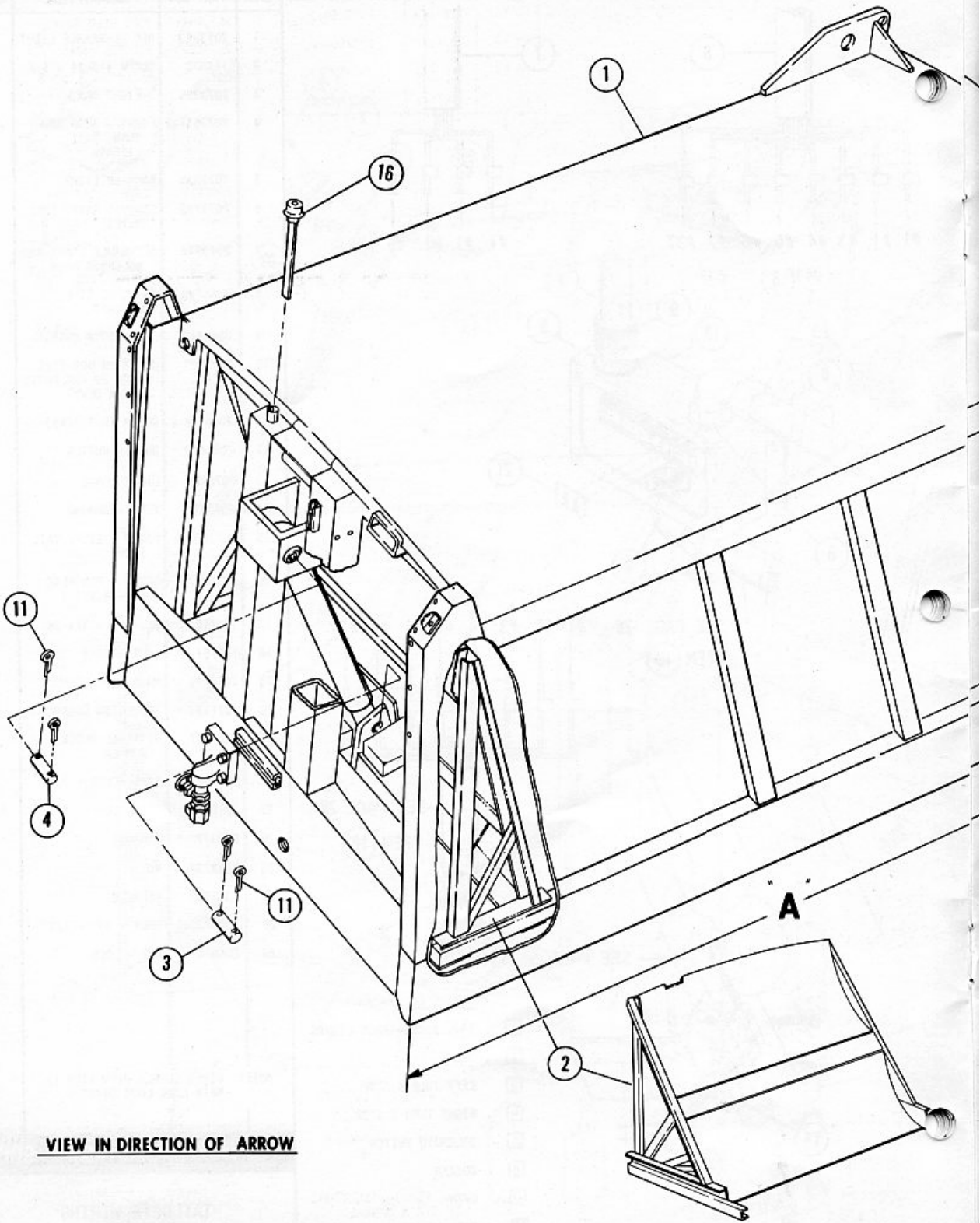
ITEM	PART NO.	DESCRIPTION	QTY.
1	2073393	RED CLEARANCE LIGHT	2
2	115070	SCREW #10-24 x 5/8	6
3	2073395	3-LIGHT BAR	1
4	2072837-2	LIGHT - STOP AND TURN, TAIL, LICENSE	1
5	2072838	BACK-UP LIGHT	1
6	2073772	CONDUIT ASSY. (SEE NOTE)	1
7	2073774	CLEARANCE LIGHT AND SOLENOID LOOM	1
8	2066798	"O" RING ST'L. GASKET	3
9	2069245	CABLE GRIP ASSY.	1
10	2073771	JUNCTION BOX (SEE PAGE 29 FOR PARTS BREAK DOWN)	1
11	2066776-2	COVER (W/SCREWS)	1
12	2051602	BUZZER BUTTON	2
13	2073658	LIGHT GUARD	2
14	2045931	WIRE - GROUND	1
15	2072837-1	LIGHT - STOP, TAIL TURN	1
16	103666	SCREW - PAN HEAD #10-24 x 3/4	2
17	102716	HEX NUT - 1/4-20	4
18	102757	LOCK WASHER 1/4	4
19	2073775	MAIN LINE LOOM	1
20	2071333	INSULATED CONNECTOR	8
21	2071607	TERMINAL BLOCK JUMPER	1
22	2067561	ST'L. CLIP - 7/8	8
23	2051619	ST'L. CLIP - 5/8	12
24	2073772-1	CONDUIT	1
25	2069737	NUT	2
26	2069739	FERRULE	2
27	2069735-1	BODY - 90° - 1/2"	2
28	2068741	NUT - LOCK	2

NOTE: WIRES SUPPLY WITH ITEM 19 MAIN LINE LOOM 2073775

**GarWood** LOAD PACKER 900

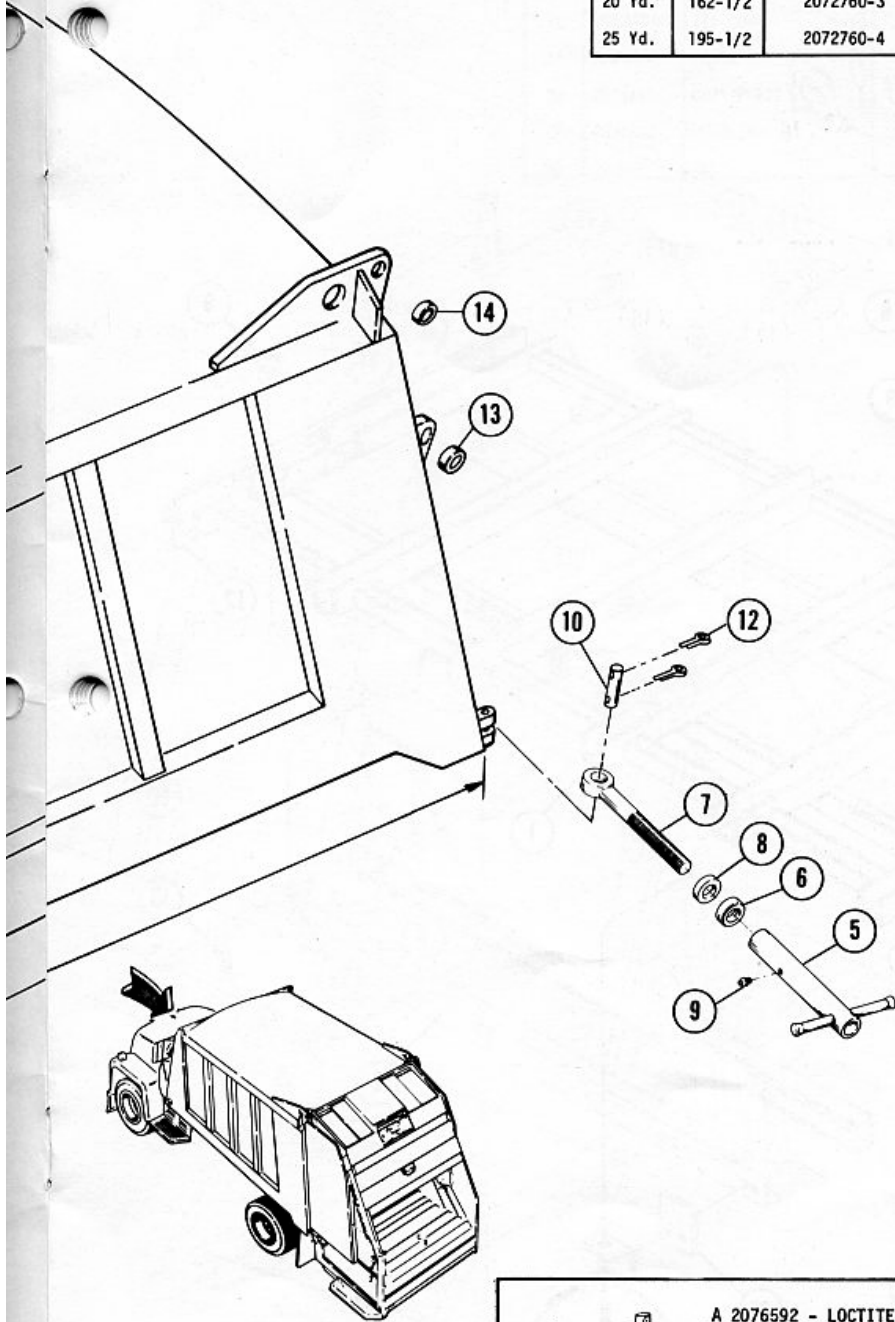
TAILGATE WIRING







**VIEW IN DIRECTION OF ARROW**

MODEL	A	BODY ITEM #1	ITEM	PART NO.	DESCRIPTION	QTY.
16 Yd.	129-1/2	2072760-1	1	SEE CHART	BODY WELD ASSY.	1
18 Yd.	147-1/2	2072760-2	2	2072600	EJECTOR PANEL	1
20 Yd.	162-1/2	2072760-3	3	2072907	SHAFT - CYLINDER EJECTOR PANEL	1
25 Yd.	195-1/2	2072760-4	4	2072908	SHAFT - CYLINDER MOUNT	1
			5	*2048466	LATCH HANDLE	2
			6	*2048413	THRUST BEARING	2
			7	*2048414	EYE BOLT - LATCH	2
			8	*2042986	WASHER	2
			9	*105397	LUB FITTING	2
			10	2074775	LATCH PIN	2
			11	103062	COTTER PIN	4
			12	103455	COTTER PIN	4
			13	2072640-4	BEARING	2
			14	2072640-1	BEARING	2
			15	2048409	LATCH ASSY. (INCLUDES ITEMS 5-9)	1
			16	2075364	FILL CAP	1



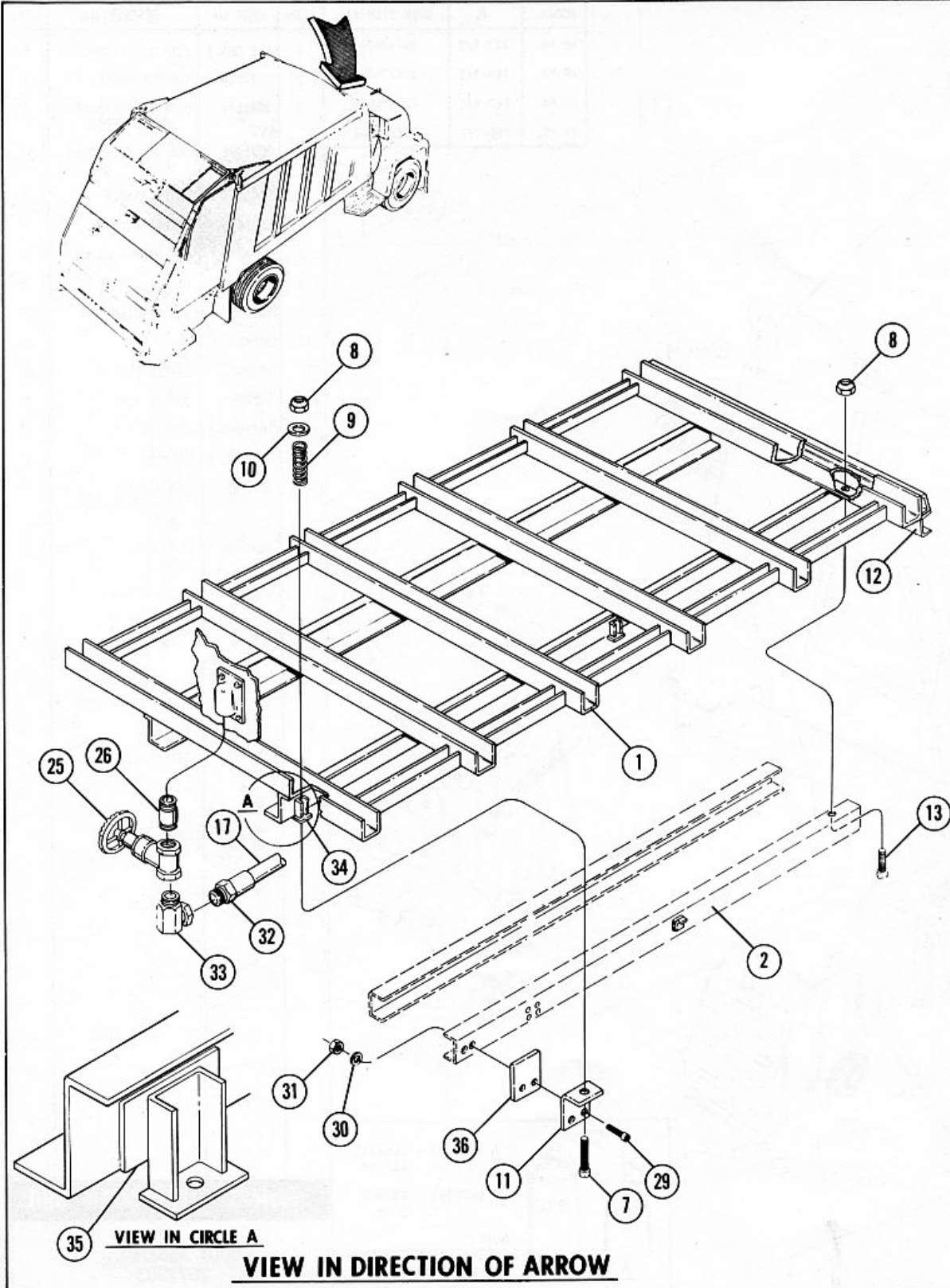



**A** 2076592 - LOCTITE  
250 cc  
**B** 2076591 - PRIMER  
8 oz.

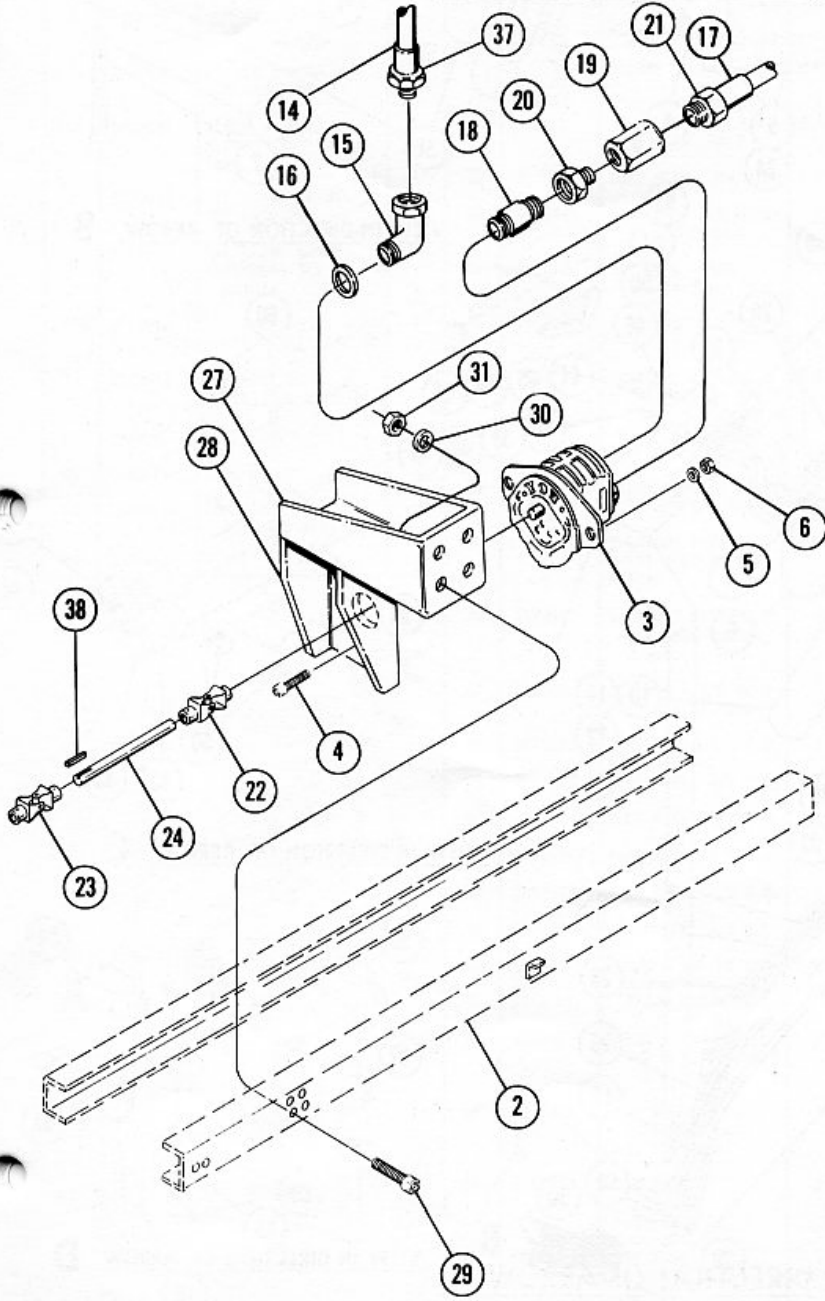
NOTE:  
USE PER INSTRUCTIONS  
IN O & M MANUAL


**LOAD PACKER 900**

**BODY ASSEMBLY**  
**2072903**



ITEM	PART NO.	DESCRIPTION	QTY.	ITEM	PART NO.	DESCRIPTION	QTY.
32	2039885	COUPLING	1	1	-----	FRAME BODY ASSEMBLY	
33	106171	ADAPTER UNION 1-1/2" x 90°	1	2	-----	FRAME TRUCK	
34	2062104	TIE DOWN	4	3	2073710 OR 11	PUMP ASSEMBLY SEE PAGE 23	1
35	2074448	PLATE	4	4	103293	CAP SCREW 1/2"-20 x 1-3/4"	2
36	2074449	WEAR PLATE	4	5	102761	LOCK WASHER 1/2"	2
37	2039883	COUPLING	1	6	103612	NUT 1/2"-20	2
38	105862	KEY	1	7	103804	CAP SCREW 1"-8 x 6"	4

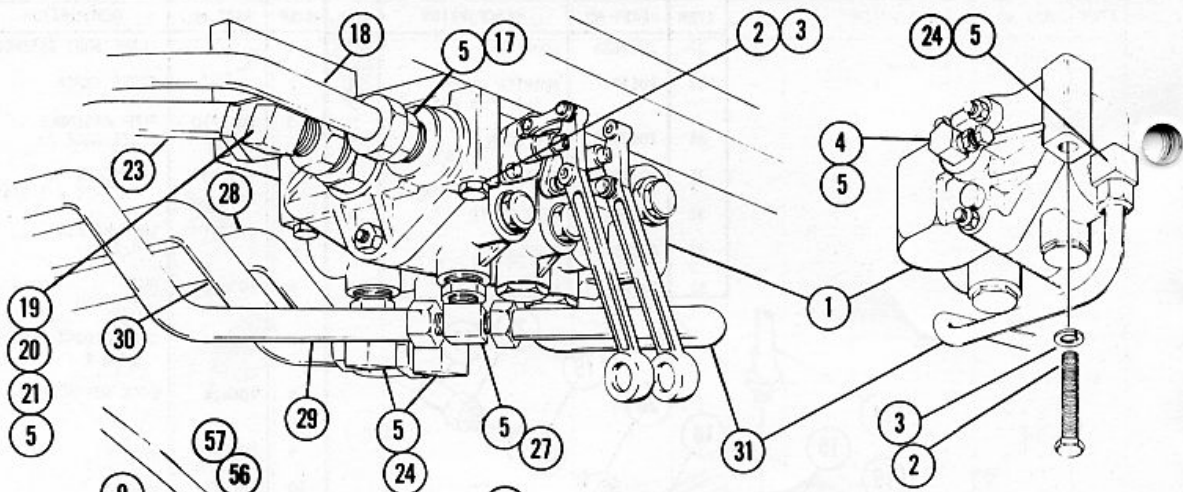


8	106424	LOCK NUT 1"-8	6	9	2062024	SPRING	4
9	2062024	SPRING	4	10	102975	WASHER	4
10	102975	WASHER	4	11	2062105	CLIP ANGLE	4
11	2062105	CLIP ANGLE	4	12	2064814	CHANNEL ASSEMBLY	1
12	2064814	CHANNEL ASSEMBLY	1	13	103402	CAP SCREW 1"-8 x 2-1/4"	2
13	103402	CAP SCREW 1"-8 x 2-1/4"	2	14	2073255	HOSE 3/4" x 84"	1
14	2073255	HOSE 3/4" x 84"	1	15	107790	ADAPTER UNION 3/4"	1
15	107790	ADAPTER UNION 3/4"	1	16	107528	"O" RING	1
16	107528	"O" RING	1	17	2061235-4	HOSE 1-1/2" x 65"	1
17	2061235-4	HOSE 1-1/2" x 65"	1	18	100132	NIPPLE 1-1/4" x 1-5/8"	1
18	100132	NIPPLE 1-1/4" x 1-5/8"	1	19	106696	COUPLING	1
19	106696	COUPLING	1	20	100133	REDUCER	1
20	100133	REDUCER	1	21	106166	ADAPTER UNION 1-1/2 St.	1
21	106166	ADAPTER UNION 1-1/2 St.	1	22	2057354	UNIVERSAL JOINT	1
22	2057354	UNIVERSAL JOINT	1	23	2043472	UNIVERSAL JOINT	1
23	2043472	UNIVERSAL JOINT	1	24	3007135	DRIVE SHAFT	1
24	3007135	DRIVE SHAFT	1	25	108810	GATE VALVE 1-1/2"	1
25	108810	GATE VALVE 1-1/2"	1	26	100419	NIPPLE 1-1/2" x 3"	1
26	100419	NIPPLE 1-1/2" x 3"	1	27	2074038	PUMP BRACKET (UPPER)	1
27	2074038	PUMP BRACKET (UPPER)	1	28	2074039	PUMP BRACKET (LOWER)	1
28	2074039	PUMP BRACKET (LOWER)	1	29	103328	CAP SCREW 5/8"-18 x 2"	12
29	103328	CAP SCREW 5/8"-18 x 2"	12	30	102763	LOCK WASHER 5/8"	12
30	102763	LOCK WASHER 5/8"	12	31	103614	NUT 5/8"-18"	12
31	103614	NUT 5/8"-18"	12				

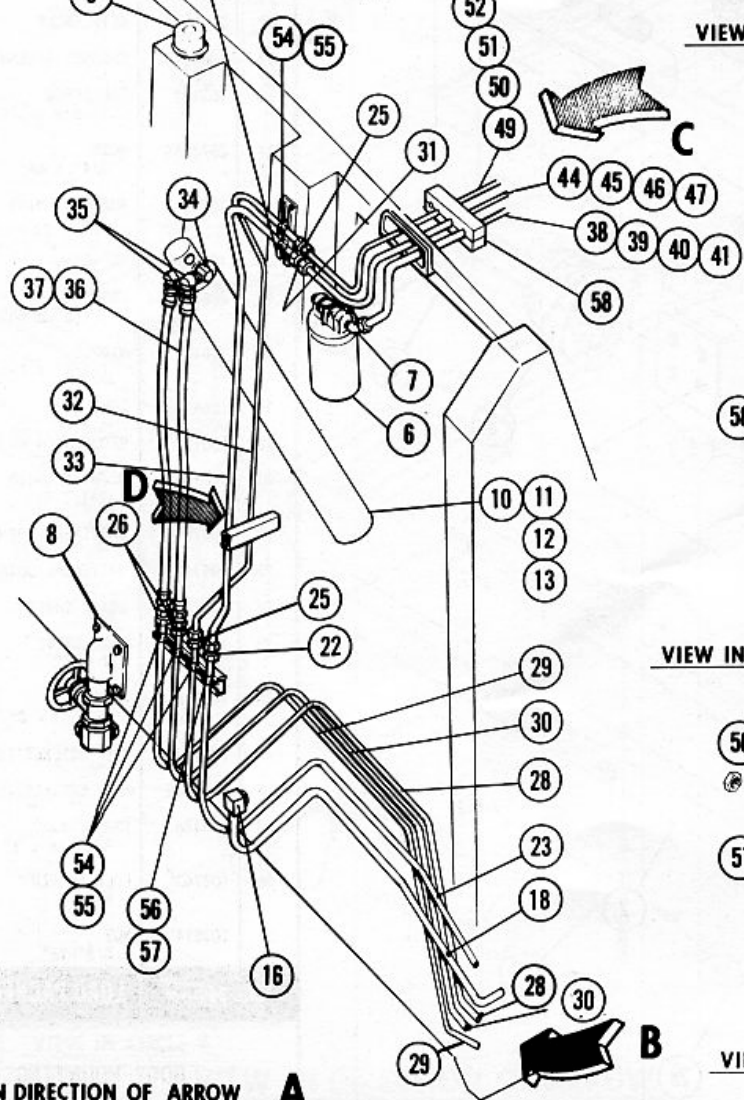
GarWood

LOAD PACKER 900

BODY MOUNTING

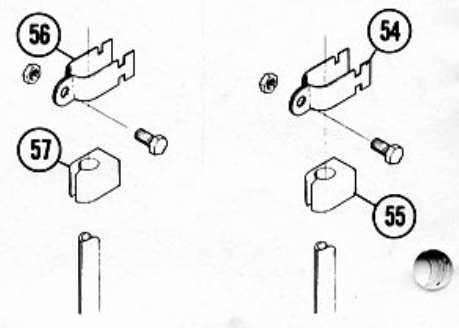
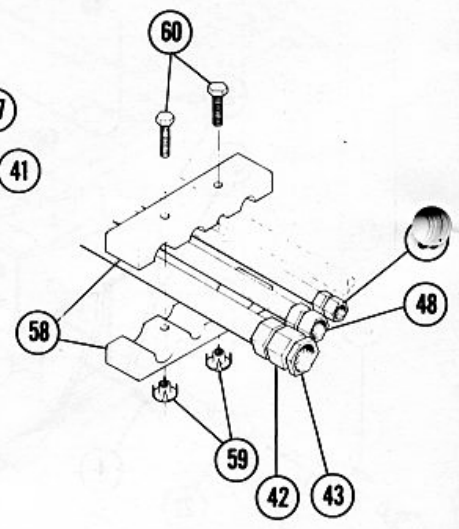


VIEW IN DIRECTION OF ARROW **B**



VIEW IN DIRECTION OF ARROW **C**

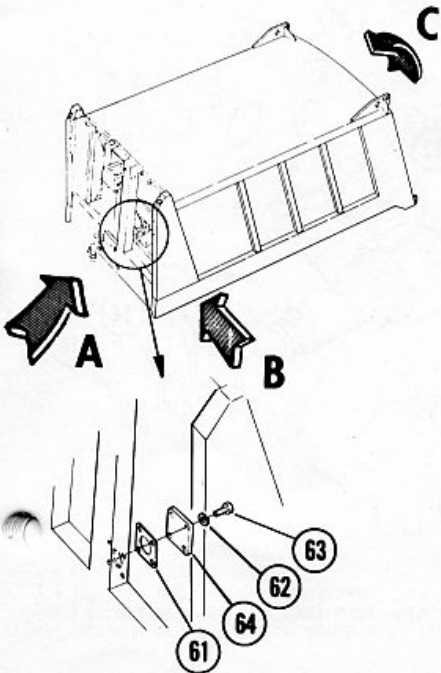
VIEW IN DIRECTION OF ARROW **A**

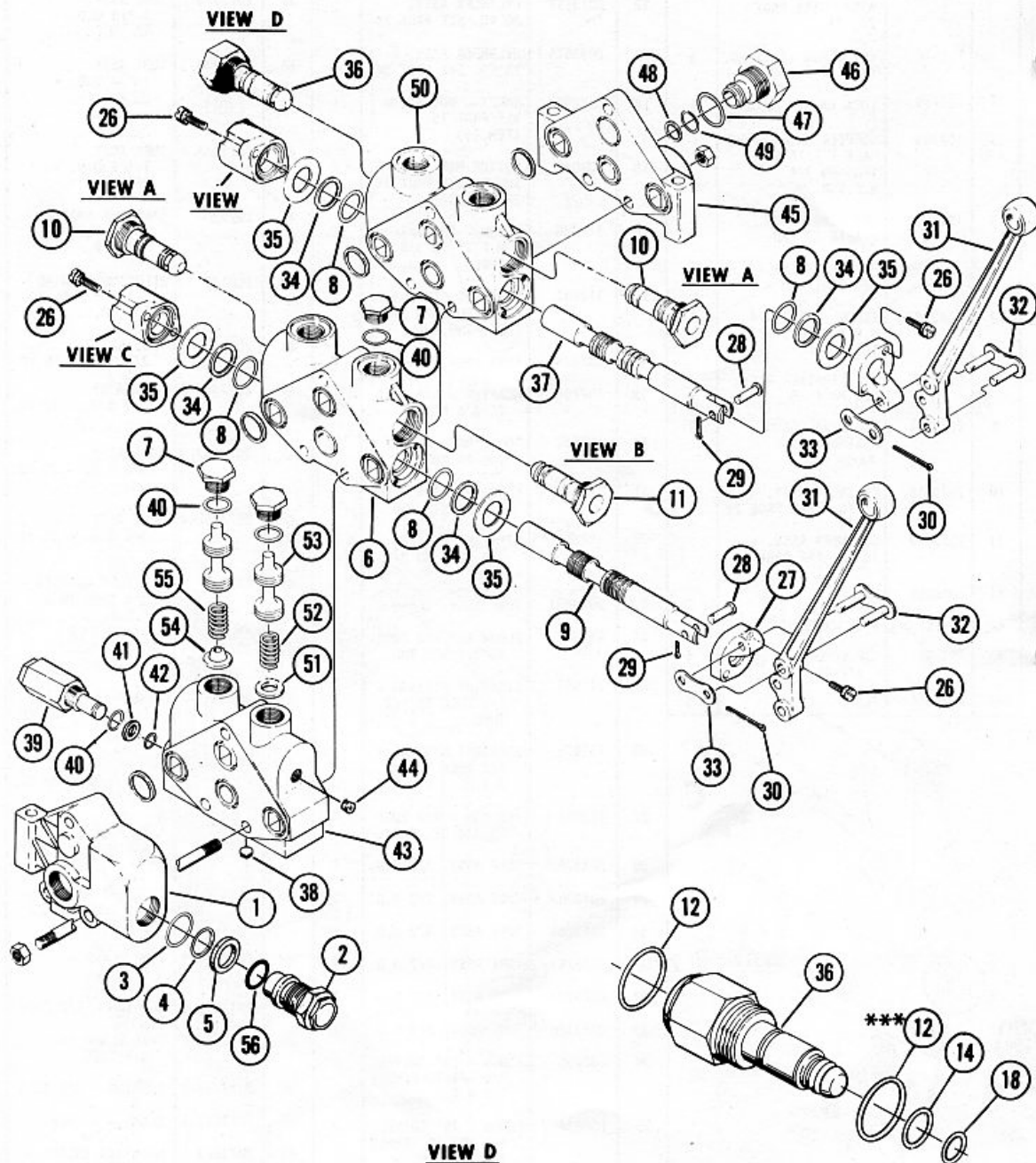


VIEW IN DIRECTION OF ARROW **D**



ITEM	PART NO.	DESCRIPTION	QTY.	ITEM	PART NO.	DESCRIPTION	QTY.	ITEM	PART NO.	DESCRIPTION	QTY.
1	2074656	UNDERBODY VALVE ASSY. SEE PAGE 20, 21	1	12	2073611	CYLINDER ASSY. - 20 YD. SEE PAGE 24	1	39	2073348-2	TUBE ASSY. 1-1/4 O.D. - 18 YD.	1
2	102576	CAP SCREW - HEX HD. 5/16 24 x 2-3/4	3	13	2073614	CYLINDER ASSY. - 25 YD. SEE PAGE 24	1	40	2073348-3	TUBE ASSY. 1-1/4 O.D. - 20 YD.	1
3	102758	LOCK WASHER 5/16	3	14	2072908	SHAFT - NOT SHOWN SEE PAGE 15 ITEM (5)	1	41	2073348-4	TUBE ASSY. 1-1/4 O.D. - 25 YD.	1
4	107790	ADAPTER UNION - 90° MALE 1 1/16 ST. THD. TO 3/4 N.P.S.M.	1	15	103062	COTTER PIN - NOT SHOWN SEE PAGE 15 ITEM (12)	2	42	105505	STRAIGHT ADAPTER - 1-1/4 TUBE TO 1-1/4 F.P.T.	1
5	107528	"0" RING - FOR 1 1/16 12 THD.	6	16	112885	ELBOW - 90° 3/4 M.P.T. TO 3/4 TUBE	1	43	100129	REDUCING BUSHING - 1-1/4 M.P.T. TO 1" F.P.T.	1
6	2072439	FILTER ASSEMBLY SEE PAGE 25	1	17	112891	STRAIGHT FITTING - 3/4 TUBE TO 3/4 ST. THD. MALE	1	44	2073352-1	TUBE ASSY. 3/4 O.D. - 16 YD.	1
7	106206	ELBOW -45° 1-1/4 M.P.T. TO 1-1/4 TUBE	1	18	2073280	TUBE ASSY. 3/4 O.D.	1	45	2073352-2	TUBE ASSY. 3/4 O.D. - 18 YD.	1
8	2073645	OIL STRAINER ASSY. SEE PAGE 26	1	19	2072441	ADAPTER - 5/8 MALE TO 3/4 FEMALE	1	46	2073352-3	TUBE ASSY. 3/4 O.D. - 20 YD.	1
9	2075364	OIL LEVEL GAUGE ASSEMBLY SEE PAGE 14	1	20	107572	"0" RING - FOR 7/8-14 THD.	1	47	2073352-4	TUBE ASSY. 3/4 O.D. - 25 YD.	1
10	2073612	CYLINDER ASSY. - 16 YD. SEE PAGE 24	1	21	112913	ELBOW 90° 3/4 TUBE TO 3/4 ST. THD.	1	48	112871	STRAIGHT ADAPTER - 3/4 TUBE TO 3/4 F.P.T.	1
11	2073613	CYLINDER ASSY. - 18 YD. SEE PAGE 24	1	22	112863	STRAIGHT FITTING - 3/4 TUBE TO 3/4 TUBE	2	49	2073353-1	TUBE ASSY. 1/2 O.D. - 16 YD.	1
61	2048885	GASKET	1	23	2073281	TUBE ASSY. 3/4 O.D.	1	50	2073353-2	TUBE ASSY. 1/2 O.D. - 18 YD.	1
62	102761	LOCK WASHER 1/2	4	24	112912	ELBOW 90° 1/2 TUBE TO 3/4 ST. THD.	3	51	2073353-3	TUBE ASSY. 1/2 O.D. - 20 YD.	1
63	103289	CAP SCREW 1/2-20 x 3/4	4	25	112861	STRAIGHT FITTING - 1/2 TUBE TO 1/2 TUBE	2	52	2073353-4	TUBE ASSY. 1/2 O.D. - 25 YD.	1
64	2076244	PLATE	1	26	112876	STRAIGHT FITTING - 1/2 TUBE TO 3/4 J.I.C.	2	53	112870	STRAIGHT ADAPTER - 1/2 TUBE TO 1/2 F.P.T.	1
				27	113036	TEE RUN - 1/2 TUBE TO 3/4 ST. THD.	1	54	2072940-3	TUBE CLAMP - 1/2 TUBE	5
				28	2073282	TUBE ASSY. 1/2 O.D.	1	55	2072939-3	CUSHION - 1/2 TUBE	5
				29	2073283	TUBE ASSY. 1/2 O.D.	1	56	2072940-5	TUBE CLAMP - 3/4 TUBE	6
				30	2073284	TUBE ASSY. 1/2 O.D.	1	57	2072939-5	CUSHION - 3/4 TUBE	6
				31	2075751	TUBE ASSY. 1/2 O.D.	1	58	2073622-1	CLAMP - RUBBER	6
				32	2073327	TUBE ASSY. 1/2 O.D.	1	59	2073623	MOUNTING INSERT - T-NUT	12
				33	2073326	TUBE ASSY. 3/4 O.D.	1	60	102545	CAP SCREW HEX HD. 1/4-20 x 1-3/4	12
				34	107456	ELBOW - 90° SWIVEL 3/4 MPT TO FEMALE 1/2 N.P.S.M.	2	<b>GarWood LOAD PACKER 900</b>			
				35	108834	ELBOW - 45° SWIVEL 1/2 MPT TO FEMALE 1/2 N.P.S.M.	2				
				36	2074925	HOSE ASSY. 1/2" x 48" LG. 25 YD. ONLY	2	<b>BODY HYDRAULICS</b>			
				37	2075401	HOSE ASSY. 1/2" x 34" LG. 16, 18 & 20 YD.	2				
				38	2073348-1	TUBE ASSY. 1-1/4 O.D. - 16 YD.	1				

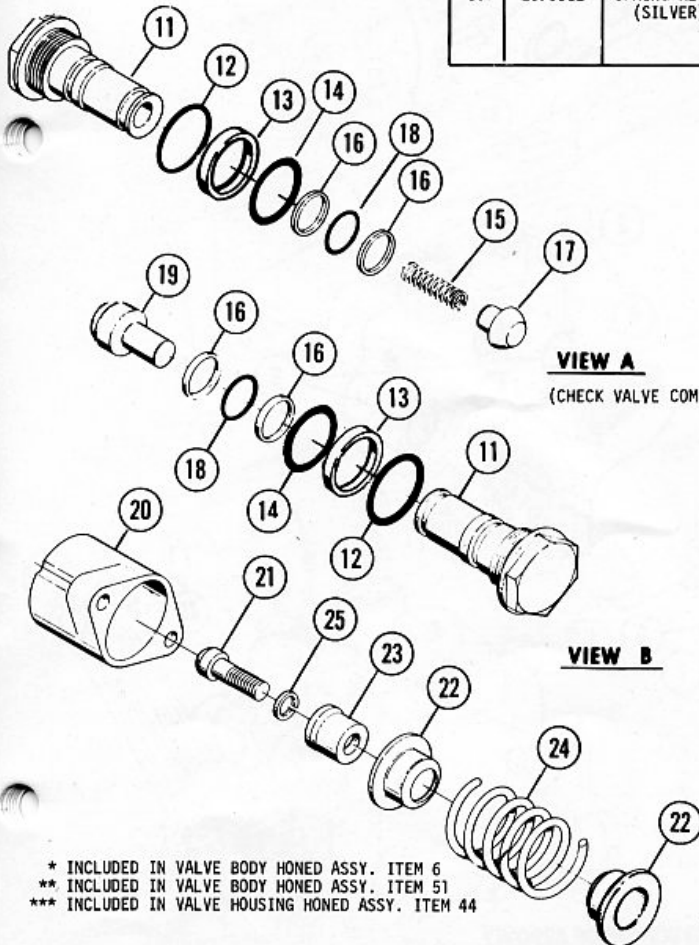




**VIEW D**  
 (COMB. RELIEF AND CHECK ASSY.  
 COMPLETE, ITEM 36)

- 2076027 SEAL KIT INCLUDES 47, 48 & 49
- 2076103 SEAL KIT INCLUDES 3, 4, 5, & 56
- 2076078 SEAL KIT INCLUDES 12, 13, 14, 16, & 18
- 2076045 SEAL KIT INCLUDES 8 & 34
- 2076529 SEAL KIT INCLUDES 40, 41 & 42

ITEM	PART NO.	DESCRIPTION	QTY.	ITEM	PART NO.	DESCRIPTION	QTY.	ITEM	PART NO.	DESCRIPTION	QTY.
52	2076084	SPRING - RELIEF (SILVER)	2	36	2076059	COMB. ASSY. COMPLET.	1	1	2076108	INLET COVER	1
53	***	SPOOL	2	37	**	4-WAY SPOOL	1	2	2076100	RELIEF VALVE COMP. WITH SEALS	1
54	2076528	SPRING RETAINER (BLACK)	1	38	107541	PIPE PLUG - 3/8	1	3	115093	O-RING	1
55	2076531	SPRING - UNLOADING (BLACK)	1	39	2076172	PILOT RELIEF ASSY. COMP. WITH SEALS	1	4	2076110	BACK UP RING	1
56	107572	"O" RING	1	40	107559	O-RING	4	5	115094	O-RING	1
				41	2076082	BACK UP RING	1	6	2076029	VALVE BODY HONED ASSY.	2
				42	104894	O-RING	1	7	2075546	PLUG	3
				43	2076080	HOUSING HONED ASSY.	1	8	2076030	SPOOL SEAL	4
				44	107540	PIPE PLUG - 1/4	1	9	*	3-WAY SPOOL	1
				45	2075510	OUTLET HOUSING	1	10	2076036	CHECK VALVE COMP. WITH SEALS	2
				46	2076024	POWER BEYOND COMP. WITH SEALS	1	11	2075529	PLUG	2
				47	107573	O-RING	1	12	107572	O-RING	5
				48	2075513	BACK UP RING	1	13	2075521	BACK UP RING	4
				49	115088	O-RING	1	14	107593	O-RING	4
				50	2076060	VALVE BODY HONED ASSY.	1	15	INCL. IN ITEM 10	SPRING, LIFT CHECK	1
				51	2076082	SPRING RETAINER (SILVER)	1	16	2075527	BACK UP RING	8
								17	INCL. IN ITEM 10	POPPET	1
								18	115086	O-RING	4
								19	2075548	PLUG	1
								20	2075533	BONNET	2
								21	115333	SCREW 5/16-18 x 3/4	2
								22	2075534	COLLAR	4
								23	2075535	SPOOL COLLAR	3
								24	2075536	SPRING	2
								25	107103	LOCK WASHER 5/16	2
								26	2076534	SCREW 1/4-20 x 7/8 WITH LOCK WASHER 1/4	8
								27	2075540	BRACKET	2
								28	2075544	PIN	2
								29	2075543	COTTER PIN	2
								30	106160	COTTER PIN	2
								31	2075541	HANDLE	2
								32	2075539	SIDE PLATE WITH PINS	2
								33	2075538	SIDE PLATE	2
								34	2076034	BACK UP RING	4
								35	2076035	SEAL RETAINER	4

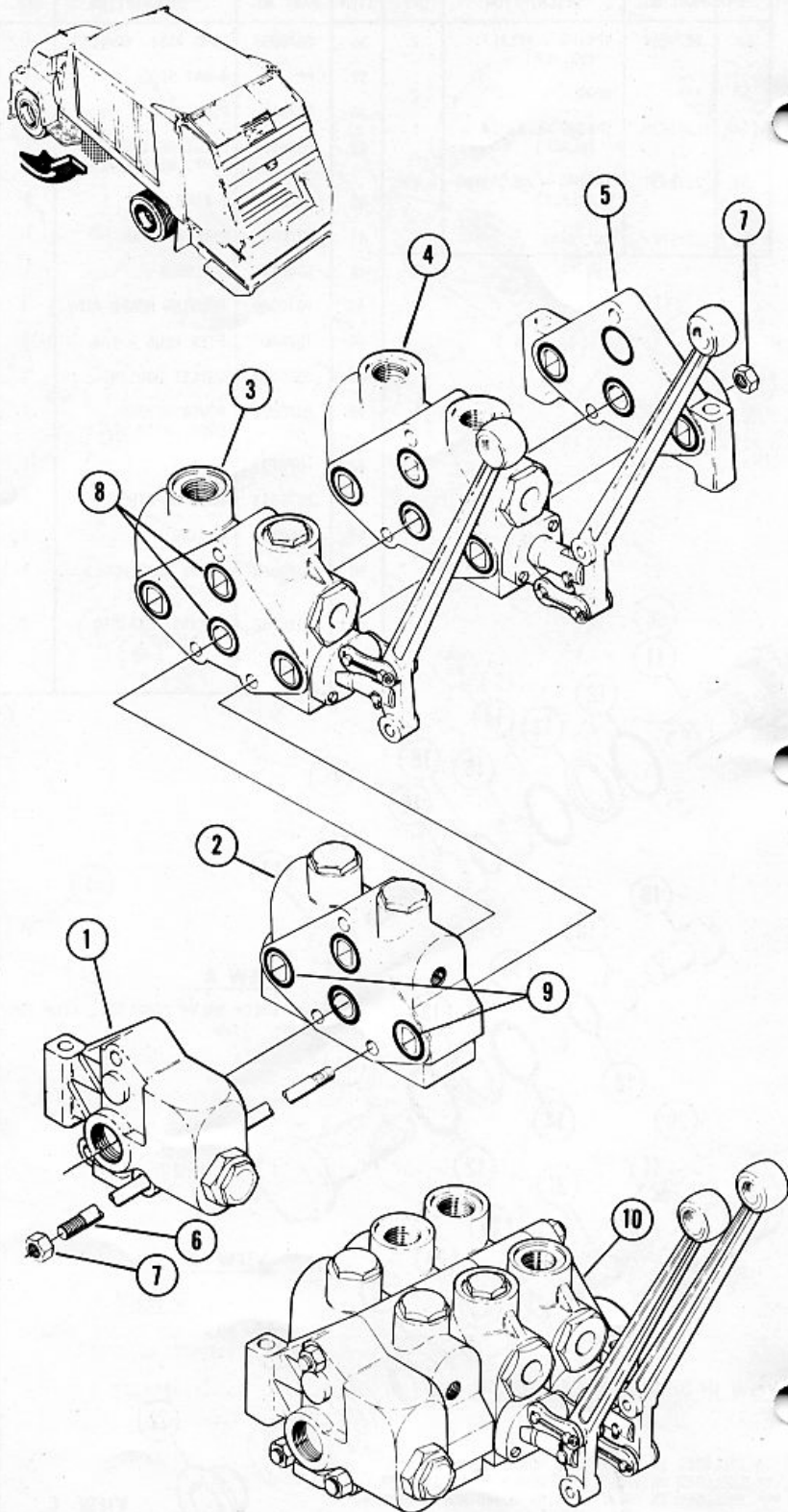


\* INCLUDED IN VALVE BODY HONED ASSY. ITEM 6  
 \*\* INCLUDED IN VALVE BODY HONED ASSY. ITEM 51  
 \*\*\* INCLUDED IN VALVE HOUSING HONED ASSY. ITEM 44

**GarWood** | **LOAD PACKER 900**

**CONTROL VALVE ASSEMBLY**  
**2074656**

ITEM	PART NO.	DESCRIPTION	QTY.
1	2076099	INLET COVER - LEFT	1
2	2076171	CP - UNLOADING SECTION	1
3	2076028	CP - 3-WAY SPOOL SECTION	1
4	2076047	CP - 4-WAY SPOOL SECTION	1
5	2076023	OUTLET COVER - RT.	1
6	2076142	TIE BOLT	3
7	2075556	NUT - STUD	6
8	107596	SEAL - SECTION - 70 D	8
9	107598	SEAL - SECTION	8
10	2074656	UNDERBODY VALVE ASSY.	1

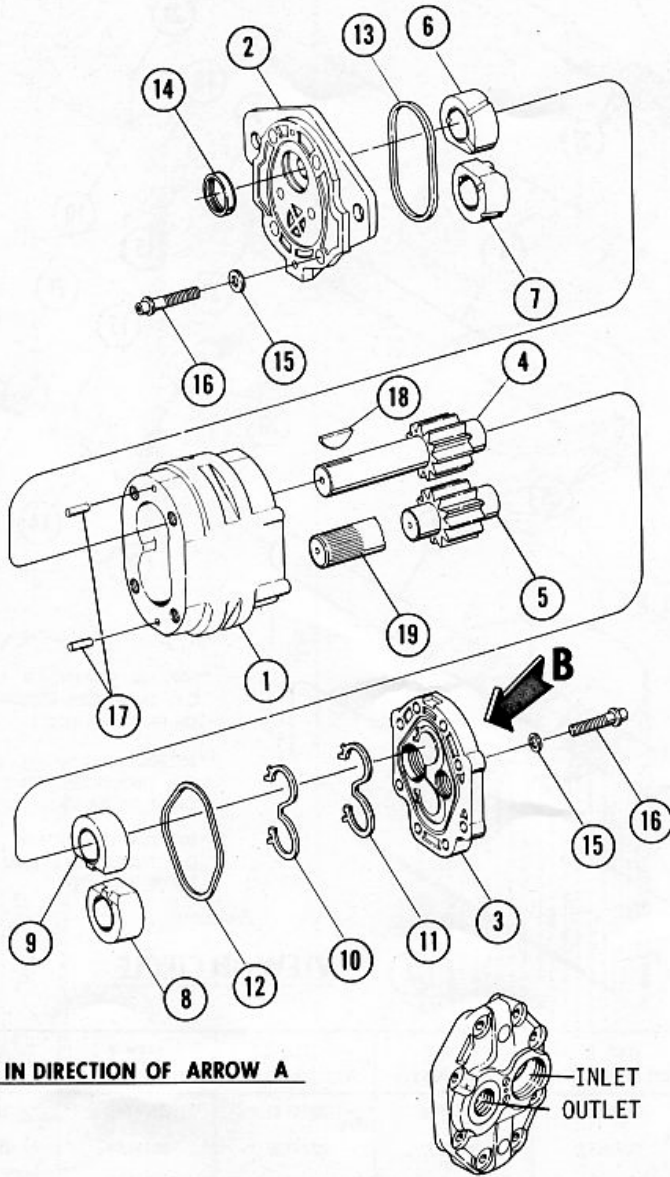
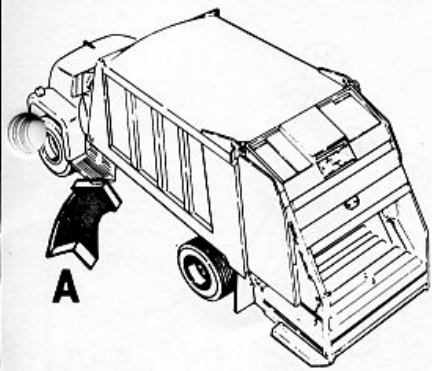


**GarWood** LOAD PACKER 900

CONTROL VALVE ASSEMBLY  
2074656

**VIEW IN DIRECTION OF ARROW**





VIEW IN DIRECTION OF ARROW A

VIEW IN DIRECTION OF ARROW B

ITEM	PART NO.	DESCRIPTION	QTY.
1	2073714	BODY	1
2	2073715	COVER	1
3	2073716	COVER	1
4	2073717	GEAR - DRIVE - KEYED SHAFT	1
5	2073718	GEAR	1
6	2073719	BEARING ASSEMBLY	1
7	2073720	BEARING ASSEMBLY	1
8	2073721	BEARING ASSEMBLY	1
9	2073722	BEARING ASSEMBLY	1
10	2073723	BACK - UP	1
11	2073724	SEAL	1
12	2073725	"O" RING	1
13	107614	"O" RING	1
14	2073727	SEAL	1
15	2073728	WASHER	12
16	2073729	SCREW ASSEMBLY	12
17	105765	PIN	2
18	102514	KEY	1
19	2073732	GEAR - DRIVE - SPLINED SHAFT	1

PUMP ASSEMBLY

- 2073710 L.H. .... KEYED SHAFT
- 2073711 R.H. .... KEYED SHAFT
- 2073712 L.H. .... SPLINED SHAFT
- 2073713 R.H. .... SPLINED SHAFT

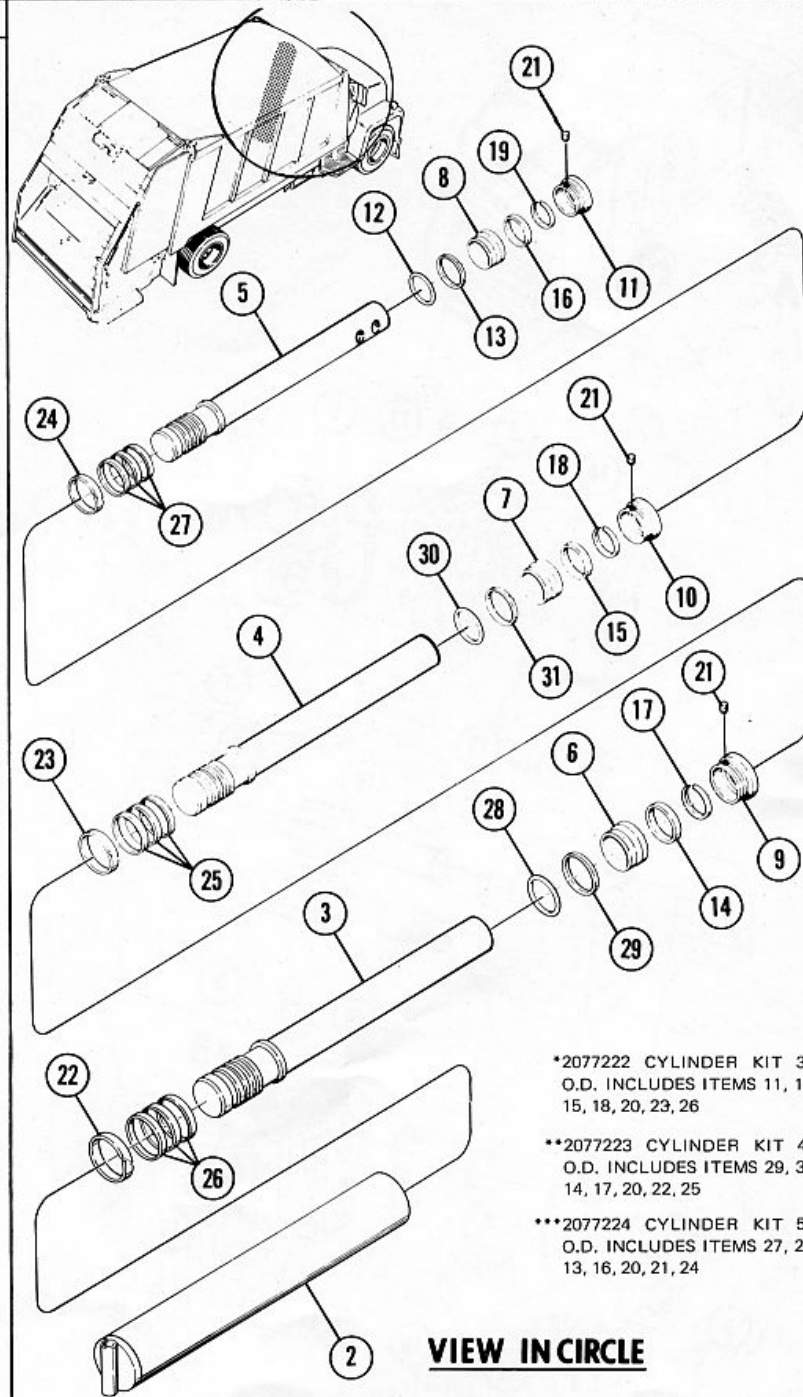
**GarWood** **LOAD PACKER 900**

PUMP ASSEMBLY



ITEM	PART NO.	DESCRIPTION	QTY.
1	SEE CHART	CYLINDER ASSY.	1
2	SEE CHART	TUBE ASSEMBLY	1
3	SEE CHART	ROD TUBE ASSEMBLY	1
4	SEE CHART	ROD TUBE ASSEMBLY	1
5	SEE CHART	ROD ASSEMBLY	1
6	2074154	BEARING	1
7	2074155	BEARING	1
8	2074156	BEARING	1
9	2074157	RETAINER	1
10	2074158	RETAINER	1
11	2074159	RETAINER *	1
12	105000	"O" RING *	1
13	2074162	BACK UP ***	1
14	2074163	U-RING **	1
15	2074164	U-RING *	1
16	2074165	U-RING ***	1
17	2074166	FELT WIPER **	1
18	2074167	FELT WIPER *	1
19	2074168	FELT WIPER	1
20	2074169	SEAL KIT *** * * *	1
21	2074171	NYLON PLUG ***	3
22	2074172	WEAR RING **	1
23	2074173	WEAR RING *	1
24	2074174	WEAR RING ***	1
25	2074175	RING **	3
26	2074176	RING *	3
27	2074177	RING ***	3
28	105931	"O" RING ***	1
29	2074179	BACK-UP RING **	1
30	106877	"O" RING	1
31	2074228	BACK-UP RING	1

ITEM # 20  
SEAL KIT INCLUDES  
ITEMS 12 TO 19 &  
22 TO 31



\*2077222 CYLINDER KIT 3 1/2  
O.D. INCLUDES ITEMS 11, 12,  
15, 18, 20, 23, 26

\*\*2077223 CYLINDER KIT 4 1/2  
O.D. INCLUDES ITEMS 29, 30,  
14, 17, 20, 22, 25

\*\*\*2077224 CYLINDER KIT 5 1/2  
O.D. INCLUDES ITEMS 27, 28,  
13, 16, 20, 21, 24

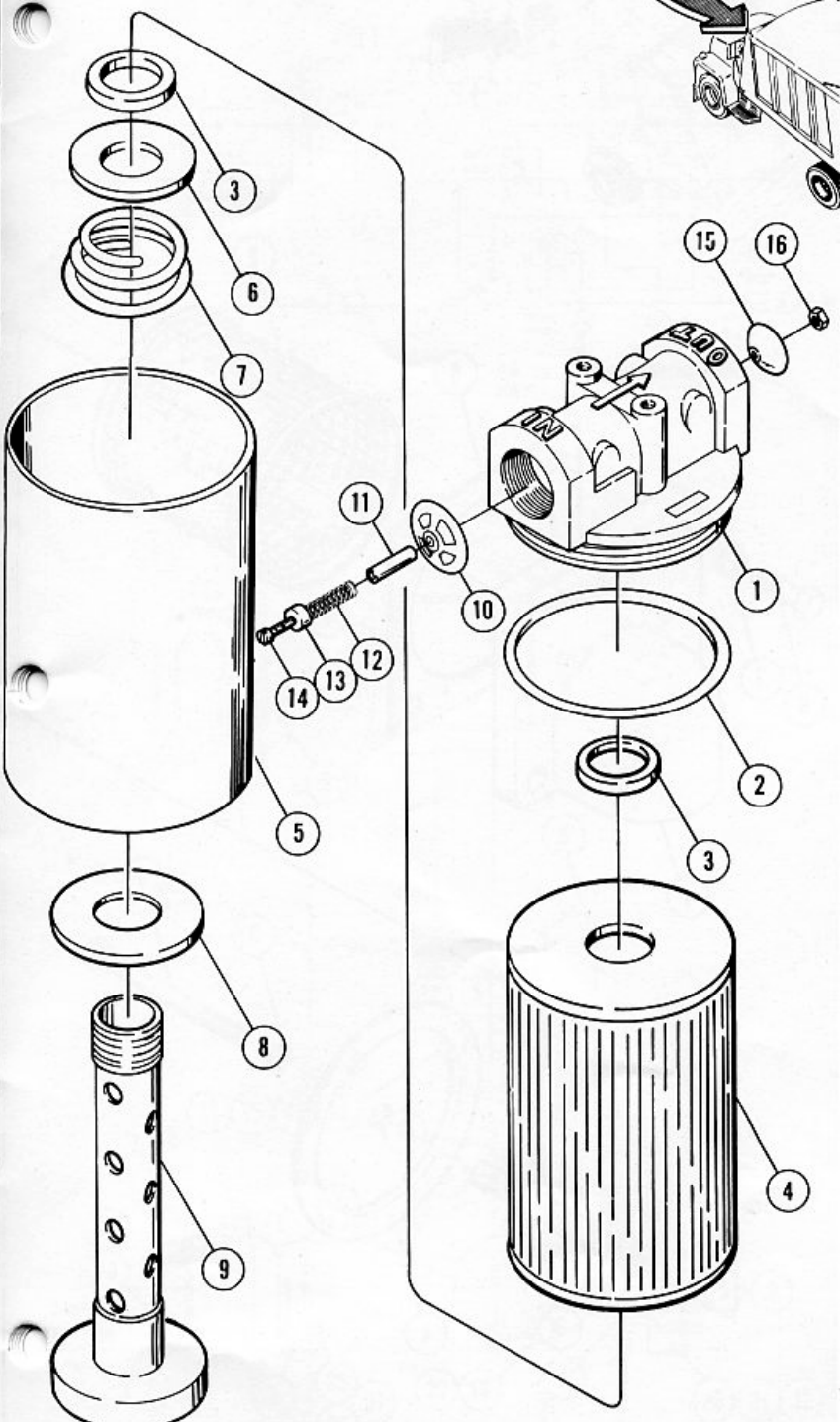
**VIEW IN CIRCLE**

	ITEM 1 CYLINDER ASSY.	ITEM 2 TUBE ASSY.	ITEM 3 ROD TUBE ASSY.	ITEM 4 ROD TUBE ASSY.	ITEM 5 ROD ASSY.
YARD					
16	2073612	2074136	2074141	2074145	2074149
18	2073613	2074137	2074142	2074146	2074151
20	2073611	2074138	2074143	2074147	2074152
25	2073614	2074139	2074144	2074148	2074153

**GarWood**

**LOAD PACKER 900**

**EJECTOR CYLINDER**



VIEW IN DIRECTION OF ARROW

ITEM	PART NO.	DESCRIPTION	QTY.
1	2075388	HEAD CASTING	1
* 2	*	HOUSING - SEAL "O" RING	1
* 3	*	RUBBER SEAL	2
* 4	*	ELEMENT	1
5	2075390	FILTER HOUSING	1
6	2075408	BACK-UP WASHER	1
7	2075391	CONICAL SPRING	1
* 8	*	CENTER POST GASKET	1
9	2075389	CENTER POST	1
10	2075394	BY-PASS GUIDE	1
11	2075393	BY-PASS VALVE SPACER	1
12	2075392	BY-PASS SPRING (15 PSI)	1
13	2075396	BY-PASS STEM CAP	1
14	2075397	BY-PASS FIL. HD. SCREW	1
15	2075395	BY-PASS VALVE	1
16	2075398	BY-PASS LOCK NUT	1

\* ITEMS 2, 3, 4, & 8 PROVIDED IN SERVICE FILTER KIT 2074799

**WARNING**

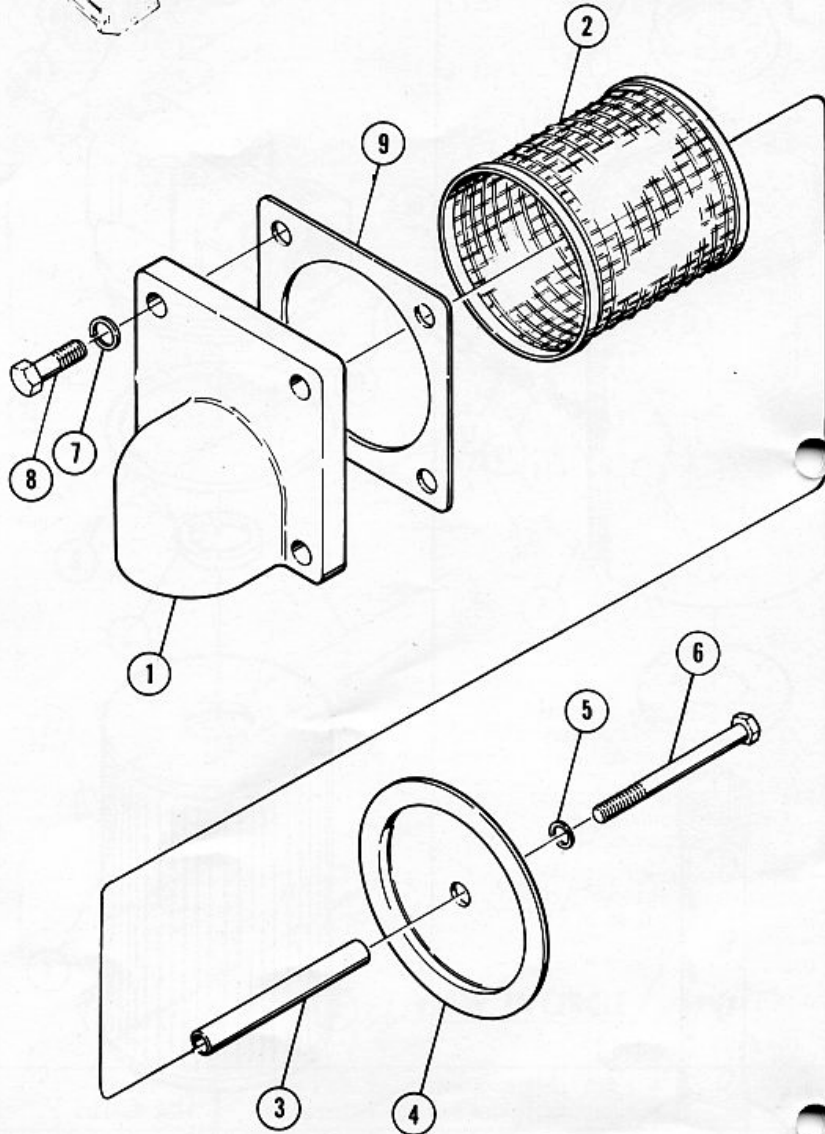
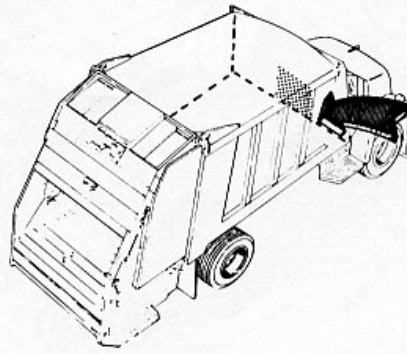
IMPORTANT:  
FILTER ELEMENT REPLACEMENT  
 WHEN TIGHTENING CENTER POST, HOLD HOUSING FROM TURNING, OTHERWISE ITEM (2) "O" RING MAY STRETCH OUT OF SHAPE CAUSING LEAKAGE. TIGHTEN CENTER POST TO A MAXIMUM OF 20 FT. LBS.

GarWood | LOAD PACKER 900

OIL FILTER ASSY.  
 2072439

ITEM	PART NO.	DESCRIPTION	QTY.
1	* 2073644	END PLATE	1
2	* 2048887	OIL FILTER ELEMENT	1
3	* 2048890	SPACER	1
4	* 2048891	FILTER COVER	1
5	* 102759	LOCK WASHER 3/8"	1
6	* 103229	BOLT 3/8-16" x 5"	1
7	102761	LOCK WASHER 1/2"	4
8	103291	CAP SCREW 1/2-20" x 1-1/4"	4
9	2048885	GASKET	1

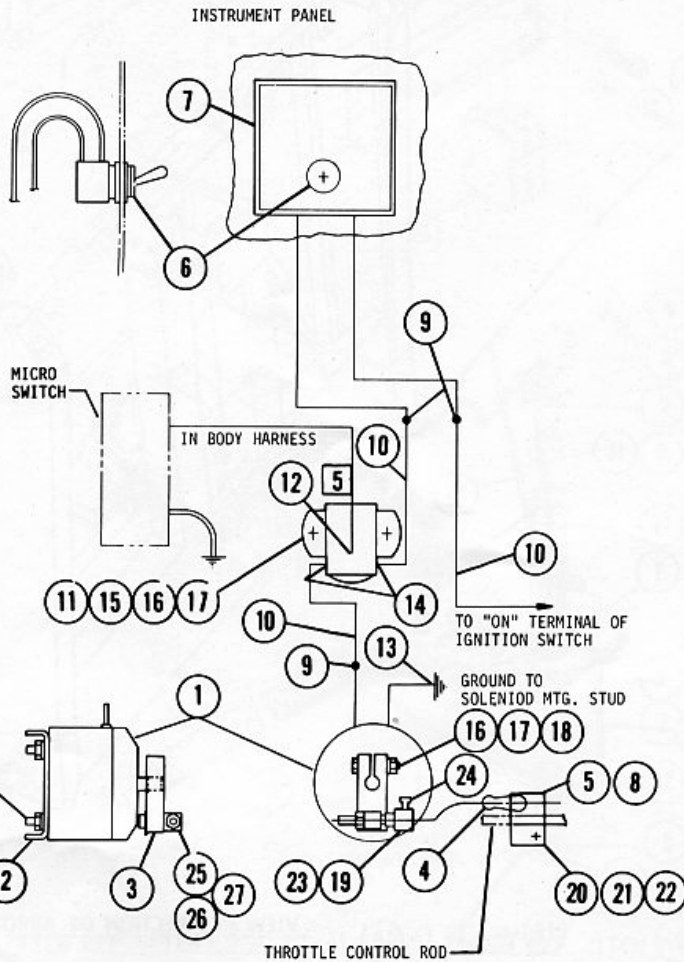
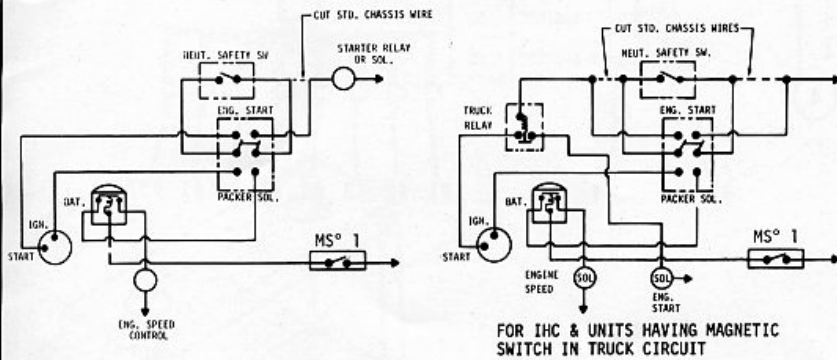
\* OIL STRAINER ASSY. -  
2073645



**GarWood** | **LOAD PACKER 900**

OIL STRAINER ASSEMBLY

**VIEW IN DIRECTION OF ARROW**



ITEM	PART NO.	DESCRIPTION	QTY.
1	SEE CHART	SOLENOID	1
2	2058969	BRACKET	1
3	2058970	LEVER	1
4	2069341	CABLE ASSY.	1
5	2058972	PLATE	1
* 6	2011118	SWITCH	1
**7		DECAL	1
8	2031269	CLAMP	1
9	2043239	CONNECTOR	3
10	2055565-1	WIRE	3
11	SEE CHART	RELAY	1
12	210006	TERMINAL	1
13	2012128	TERMINAL	1
14	2012129	TERMINAL	2
15	102551	BOLT - 1/4-28 x 1"	2
16	102757	LOCK WASHER 1/4	5
17	103608	NUT 1/4-28	5
18	102552	BOLT 1/4-28 x 1-1/4	1
19	2069342	ANCHOR	1
20	103926	SCREW #10-24 x 3/4	2
21	102966	LOCK WASHER #10	2
22	103576	NUT #10-24	2
23	102716	NUT 1/4-20	1
24	106339	SCREW #10-24 x 5/8	1
25	102970	WASHER 3/8	1
26	103026	COTTER PIN	1
27	2065946	SWIVEL	1

FOR UNITS HAVING NEUTRAL SAFETY SWITCH  
 \* 2066754 SWITCH - SOLENOID CUT OUT AND ENGINE START

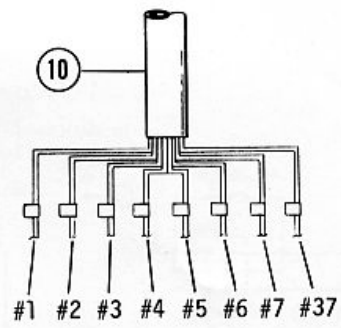
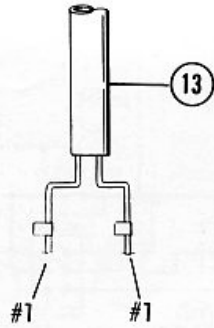
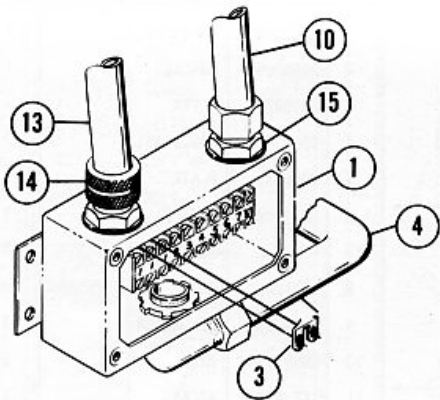
\*\* DECALCOMANIA -- PACKER SOLENOID AND ENGINE START

\*\* INCLUDED IN 2076640 DECAL KIT

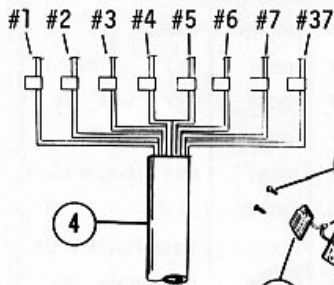
INSTALL	ELECTRIC SYSTEM	SOLENOID	RELAY
2062107-1	12 VOLT	2058968-1	2041009
2062107-2	6 VOLT	2058968-2	2041006

**GarWood** **LOAD PACKER 900**

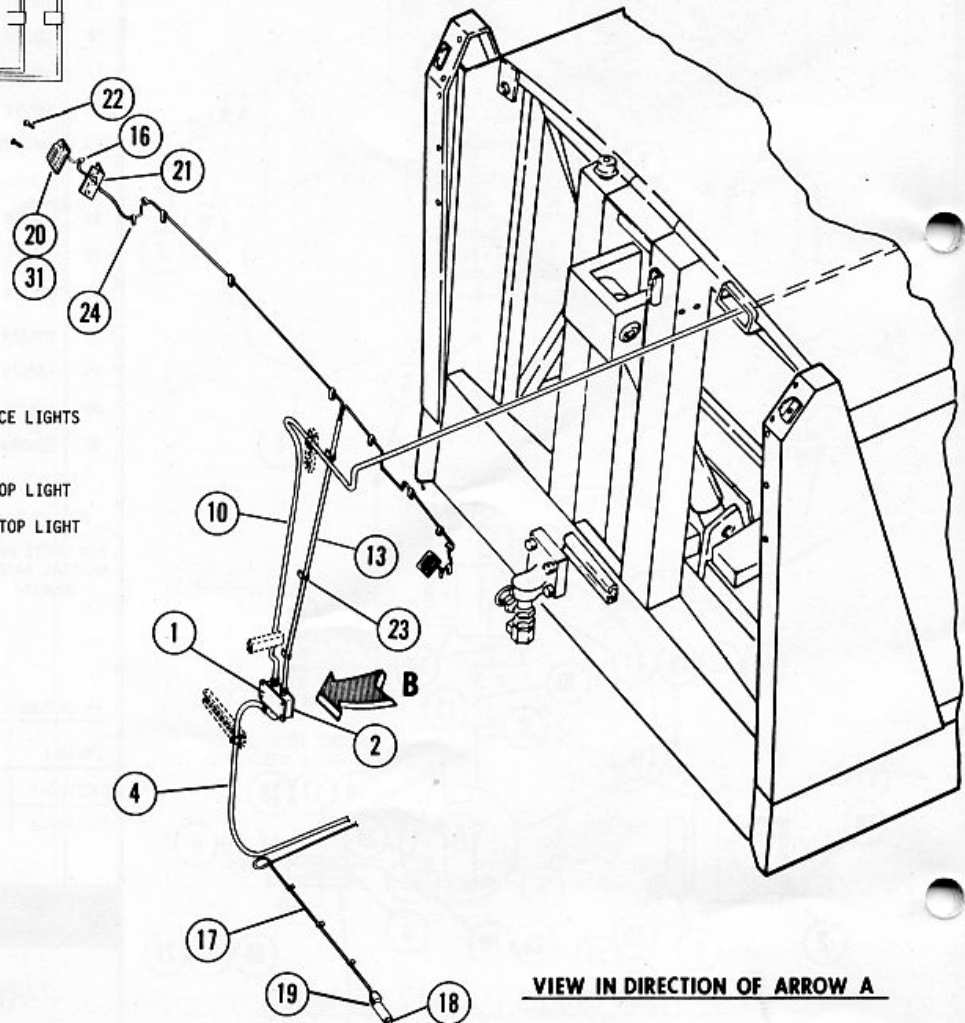
**ENGINE SOLENOID**



**VIEW IN DIRECTION OF ARROW B**



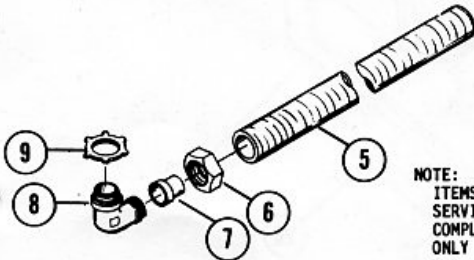
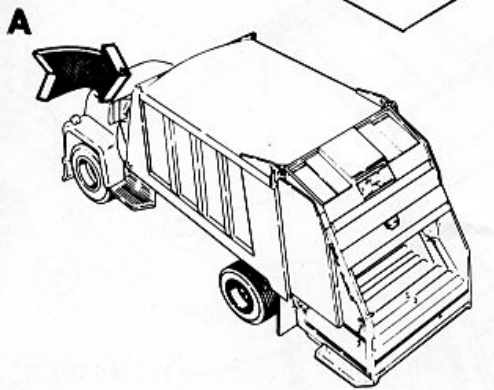
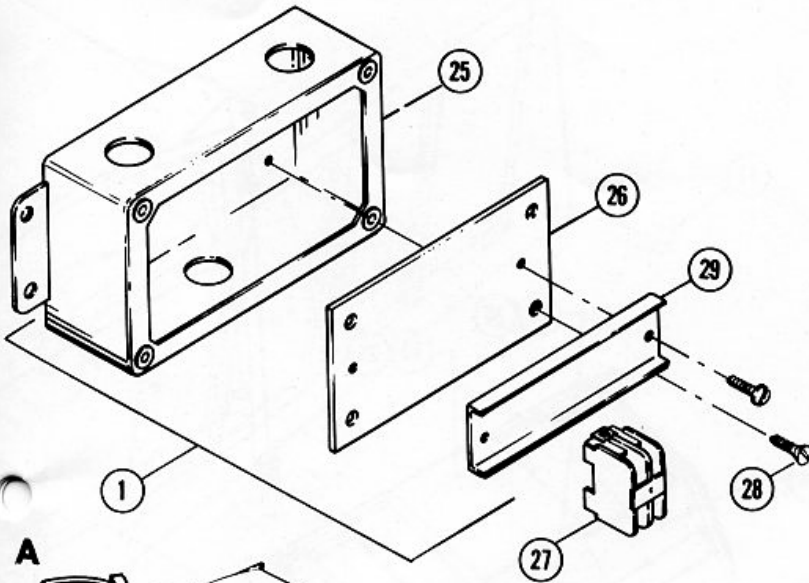
- WIRING CODE**
- 1 TAIL LIGHTS & CLEARANCE LIGHTS
  - 2 OPEN
  - 3 LEFT TURN SIGNAL & STOP LIGHT
  - 4 RIGHT TURN SIGNAL & STOP LIGHT
  - 5 SOLENOID SWITCH
  - 6 BUZZER
  - 7 OPEN
  - 37 BACK-UP LIGHT



**VIEW IN DIRECTION OF ARROW A**

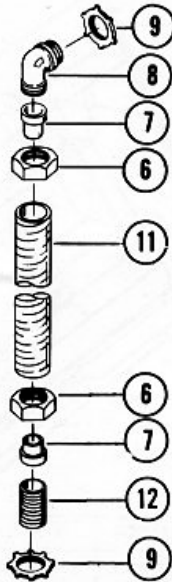


ITEM	PART NO.	DESCRIPTION	QTY.	ITEM	PART NO.	DESCRIPTION	QTY.
26	2068767	PANEL	1	1	2073771	JUNCTION BOX ASSY.	1
27	2071601	BLOCK	5	2	2066776-2	COVER (W/SCREWS)	1
28	108358	SCREW #8-32 x 3/8	2	3	2071607	TERMINAL BLOCK JUMPER	1
29	2071602-3	CHANNEL	1	4	2073655	WIRE ASSY. - CHASSIS	1
30	2001225	BUZZER	1	5	2073655-1	CONDUIT	1
31	2073394-1	LENS ONLY	1	6	2069737	NUT	3



VIEW REF. ITEM 4

NOTE:  
ITEMS 4 & 10  
SERVICED AS  
COMPLETE ASSY.  
ONLY



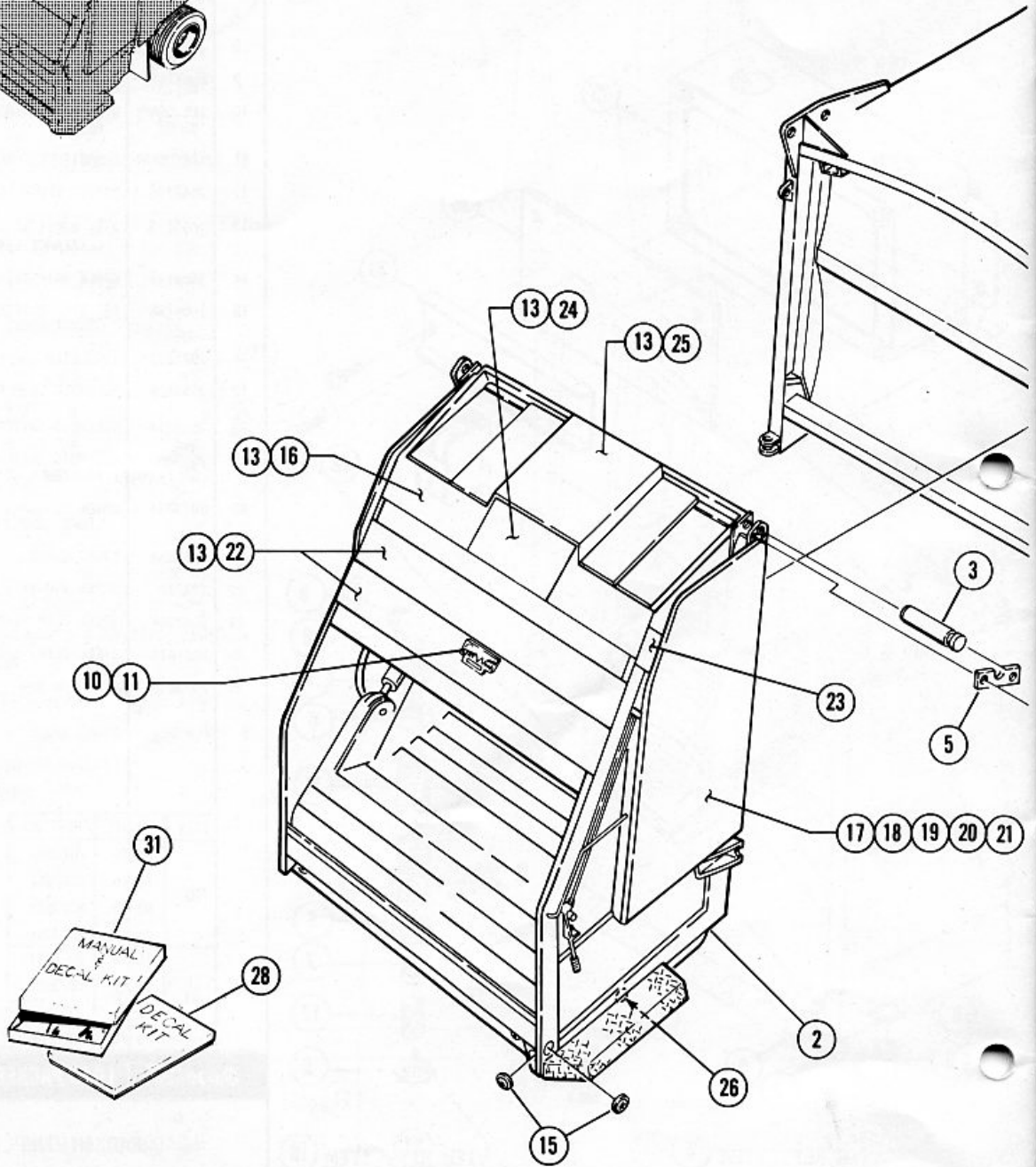
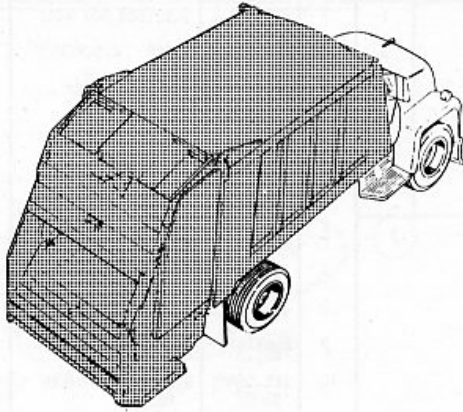
VIEW REF. ITEM 10

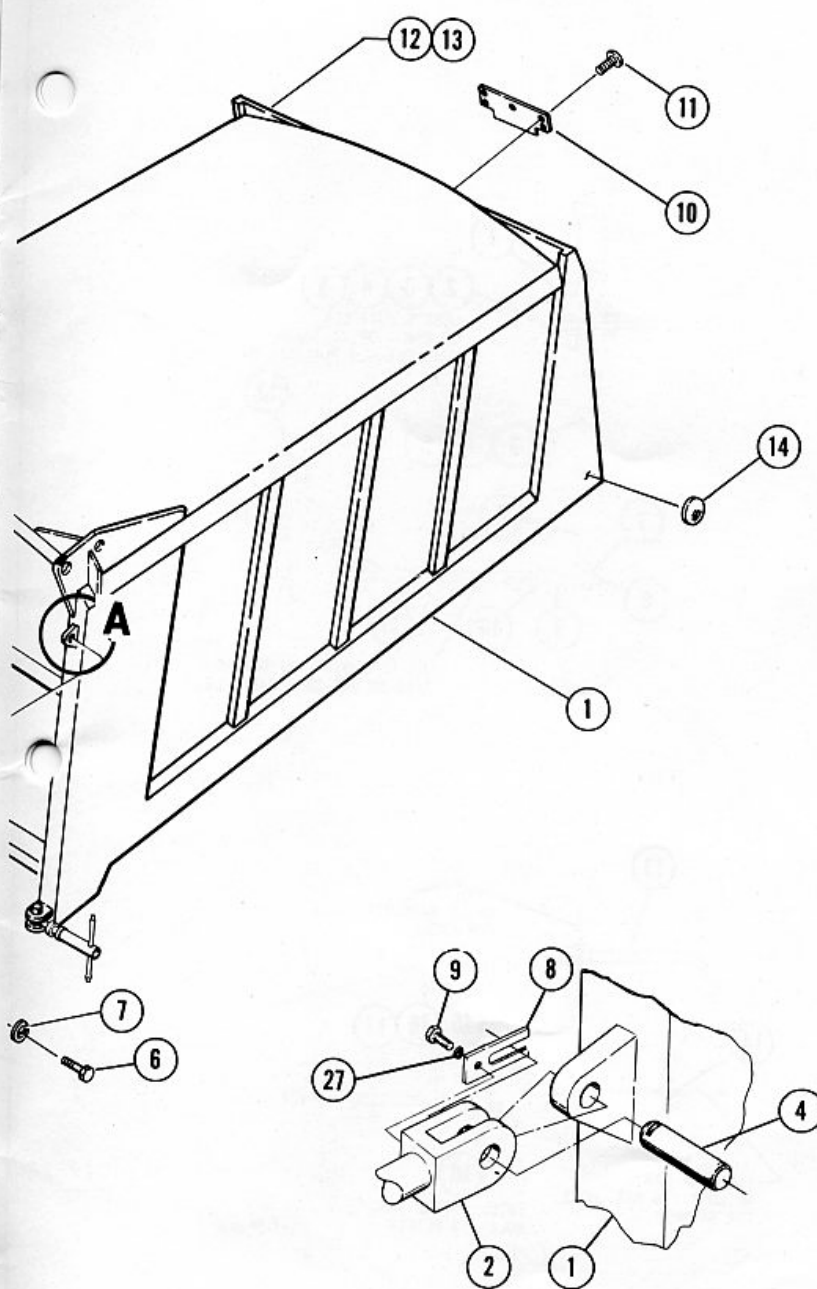
ITEM	PART NO.	DESCRIPTION	QTY.
1	2073771	JUNCTION BOX ASSY.	1
2	2066776-2	COVER (W/SCREWS)	1
3	2071607	TERMINAL BLOCK JUMPER	1
4	2073655	WIRE ASSY. - CHASSIS	1
5	2073655-1	CONDUIT	1
6	2069737	NUT	3
7	2069739	FERRULE	3
8	2069735-1	BODY - 90° - 1/2"	2
9	2068741	NUT - LOCK	4
10	SEE CHART BELOW	WIRE ASSY. - BODY ROOF	1
11	SEE CHART	CONDUIT	1
12	2066795-1	BODY - ST. - 1/2"	1
13	2073773	WIRE ASSY. - CLEARANCE LIGHT	1
14	2069245	CABLE GRIP ASSY.	1
15	2066798	"O" RING & STEEL GASKET ASSY.	3
16	2071333	INSULATED CONNECTOR	2
17	2059816	SOLENOID LOOM ASSY.	1
18	2059817	SOLENOID SWITCH	1
19	2061883	SOLENOID SWITCH HOUSING	1
20	2073394	AMBER CLEARANCE LIGHT, COMPLETE	2
21	2073658	LIGHT GUARD	2
22	115070	SCREW #10-24 x 5/8	4
23	2067561	STEEL CLIP 7/8	3
24	2051619	STEEL CLIP 5/8	14
25	2073656	JUNCTION BOX	1

ITEM	MODEL	PART NO.
10	16 YD.	2073651
	18 YD.	2073652
	20 YD.	2073653
	25 YD.	2073654
11	16 YD.	2075651
	18 YD.	2073652
	20 YD.	2073653
	25 YD.	2073654

GarWood | LOAD PACKER 900

BODY WIRING





VIEW IN CIRCLE A

MODEL	ASS'Y NO.	BODY(1)
16 YD.	2072900-1	2072903-1
18 YD.	2072900-2	2072903-2
20 YD.	2072900-3	2072903-3
25 YD.	2072900-4	2072903-4

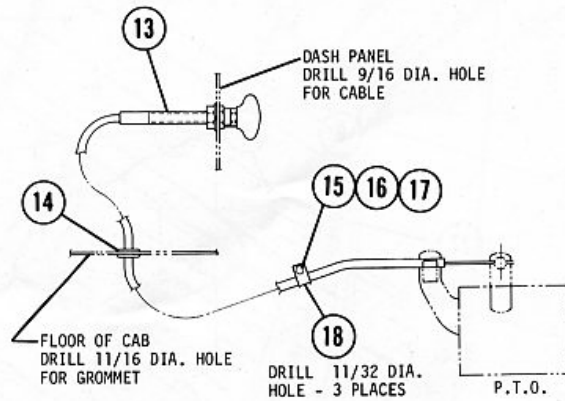
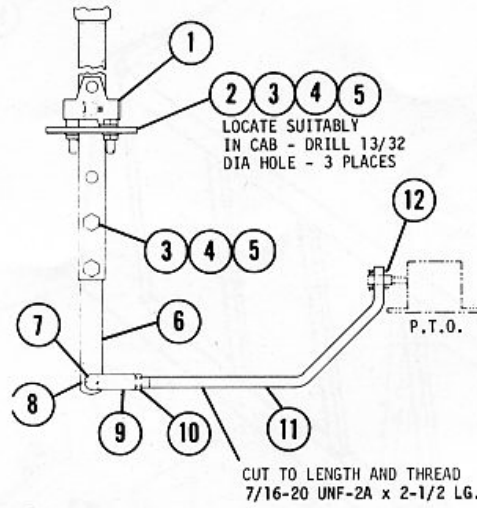
ITEM	PART NO.	DESCRIPTION	QTY.
1	SEE CHART	BODY ASSY. (SEE PAGE 14-15)	1
2	2072860	TAILGATE ASSY. (SEE PAGE 2 - 3)	1
3	2072788	SHAFT - HINGE	2
4	2074646	SHAFT - CYLINDER	2
5	2073423	PLATE	2
6	103324	BOLT 5/8-18 x 1"	2
7	102763	LOCK WASHER 5/8	2
8	2073422	PLATE - KEEPER	2
9	102578	BOLT - 3/8-16 x 1"	2
10	2075407	NAME PLATE	2
11	115070	SCREW #10 x 5/8"	10
12	2073230	COVER	1
13	2067978	SCREW 1/4 x 1"	42
14	2068706	REFLECTOR - AMBER	2
15	2068707	REFLECTOR - RED	4
16	2073540	COVER	2
17	2072856	COVER ASSY. - L.H.	1
18	2072857	COVER ASSY. - R.H.	1
19	103213	BOLT 5/16-18 x 3/4	12
20	102758	LOCK WASHER 5/16	12
21	102969	FLAT WASHER 5/16	12
22	2073409	COVER	2
23	2073784	BRACKET WELD	2
24	2073646	COVER	1
25	2073036	COVER	1
26	115025	CLOSURE PLUG 1-1/4	2
27	102768	LOCK WASHER 3/8	2
*28	2076640	DECAL KIT COMPLETE	1
*29	2075614	PARTS BOOK	1
*30	2075615	OPERATION & MAINTENANCE MANUAL	1
31	2076643	MANUAL & DECAL KIT	1

\* ITEMS 28, 29 & 30 ALSO PROVIDED IN KIT 2076643, ITEM 31

**GarWood** | **LOAD PACKER 900**

**LOAD PACKER COMPLETE**

ITEM	PART NO.	DESCRIPTION	QTY.
1	2050819	LEVER ASSEMBLY	1
2	2050690	CONTROL PLATE	1
3	102588	BOLT 3/8-24x1-1/4	5
4	102759	LOCKWASHER- 3/8	5
5	103610	NUT - 3/8-24	5
6	214707	LEVER EXTENSION	1
7	103935	CLEVIS PIN - 7/16	1
8	103027	COTTER KEY - 3/32 x 3/4	1
9	103936	CLEVIS - 7/16 ADJ.	1
10	103611	NUT 7/16 - 20	1
11	2009027	CONTROL ROD	1
12	103034	COTTER KEY - 1/8 x 1	2
13	2012595	CABLE ASSEMBLY	1
14	2013370	GROMMET	1
15	102569	BOLT - 5/16 - 24 x 1	3
16	102758	LOCKWASHER - 5/16	3
17	103609	NUT - 5/16 - 24	3
18	2013282	CLIP	3



**GarWood** | **LOAD PACKER 900**

**PTO CONTROL (LEVER AND  
CABLE INSTALLATION)**

DYNA-ACTION . . . RUGGED BODY  
CONSTRUCTION . . . USER-DESIGNED  
OPERATING FEATURES . . . EASE OF  
MAINTENANCE . . . ATTRACTIVE STYLING  
. . . ALL REASONS WHY THE NEW  
GAR WOOD 900 LOAD-PACKER

OFFERS ALL THE QUALITY AND PER-  
FORMANCE YOU NEED FOR  
EFFICIENT AND ECONOMIC REFUSE  
COLLECTION. CONTACT YOUR  
LOCAL GAR WOOD DISTRIBUTOR FOR  
A DEMONSTRATION TODAY!



**GarWood**

DIVISION OF  
**SARGENT  
INDUSTRIES**

*improving the environment through modern technology*