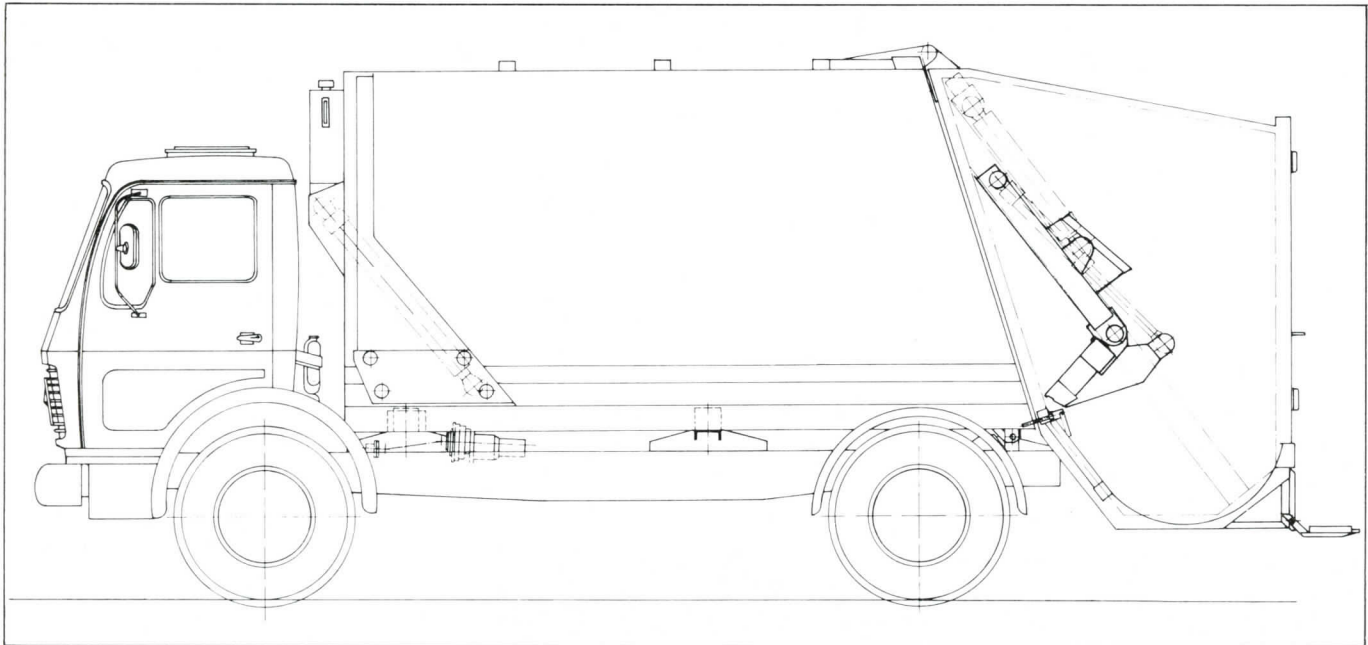


**Compact refuse truck**





## Compact refuse truck X2 with a container volume of 15, 18 and 20 cbm



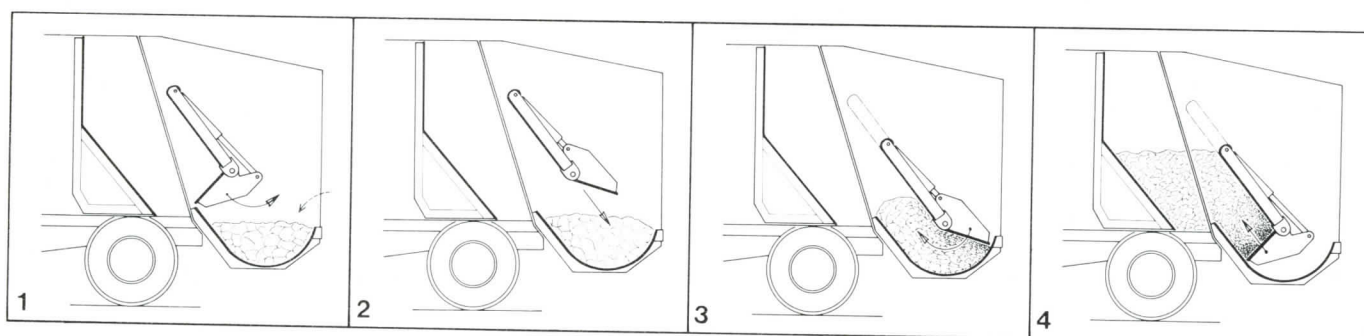
The extraordinarily good economical applications are due to carefully selected design features which have been matched to each other in long test series.

The HALLER compact refuse truck X-2 is constructed simply, robustly, and with simple maintenance facilities; it has, for example, only 7 lubrication points.

Collection of household refuse, bulky refuse, business refuse, and industrial and trade waste can be carried out from non-standardized containers or from system refuse containers with a capacity of up to 5.5 cubic metres by fitting the appropriate loading systems.

Loading is carried out continuously (fully automatic) or semi-automatically when collecting bulky refuse. The single-cycle control also permits utilisation of any shovel setting as required, for example for breaking up particularly large items of bulky refuse.

In all cases, the loaded material is pressed against the pusher wall, thus achieving optimum compression.



### The loading operation

Regardless of the position of the swivel shovel, refuse can be dropped in manually or by means of system containers **at any time**. This means that the HALLER compact refuse truck can be loaded continuously with the shovel in any position.



### Discharge

Discharge of the truck is carried out by means of an ejector plate which is driven hydraulically by a multi-piston cylinder. The ejector plate runs on four roller bearings and is equipped with lateral guides.

Before the ejector plate is activated, the filling unit is lifted hydraulically in order to permit use of the full cross-section of the container.

The discharge time for a 15 cubic metre container, for example, is approximately 2 minutes.



# Our production program

- Refuse truck for domestic refuse
- Compact refuse truck for domestic refuse, bulky refuse, business refuse, trade and industrial waste
- Compact refuse truck for bulky refuse and for mounting of dump troughs
- Large-volume refuse transporter for reloading stations
- Refuse compactor container, which can be set down by means of set-down or sliding tipper, for stationary operation
- Refuse container cleaning truck for standardized refuse containers
- Suction truck, suction truck trailer and suction truck semitrailer for thick- and thin-flowing sludge and for cleaning of sewers and catch pits
- High pressure flushing truck for rational and hygienic sewer cleaning
- High-pressure flushing and suction truck for sewer cleaning and simultaneous sludge removal
- Street washing truck
- Tunnel washing truck
- Lavatory container, can be set down by means of slide tipper



Fahrzeugbau Haller GmbH

Mauserstraße 20

Postfach 300420

D-7000 Stuttgart 30 (Feuerbach)

Telefon 0711/8991-1, Telex 07252134

An association of companies:

HALLER-Behälterbau oHG  
Industriestraße  
D-8801 Wettringen Krs. Ansbach  
Telefon 09869/330

NKF Leichtmetallbau  
Rigistraße 1-3  
D-1000 Berlin (West) 48  
Telefon 030/7216071, Telex 0185405