

Formula 5000
Refuse Collection Unit
PARTS MANUAL

The logo features the word "HEIL" in a bold, white, sans-serif font. The text is centered within a dark blue parallelogram that is wider at the top and tapers towards the bottom. This graphic is set against a vibrant red background that covers the majority of the manual's cover.

HEIL

© 1979 The Heil Co.

M R73643-1079

SOLID WASTE SYSTEMS WARRANTY

The Heil Co. warrants its Solid Waste Collection, Handling and Transfer Equipment to be free from defects in material and workmanship under normal use, service, and maintenance as described in its Service Bulletins and Operation Manuals for a period of (6) six months from the date when these products are delivered to the first purchaser.

This Warranty is expressly limited to any component or part thereof, of any such unit, manufactured by The Heil Co. that is proven to Heil's satisfaction to be so defective, shall be repaired or replaced without cost to the first purchaser for materials and labor provided such unit is returned for such repair or replacement to an authorized Solid Waste System Distributors place of business within six (6) months from the date on which the unit was delivered to such first purchaser.

The Heil Co. makes no warranty of products manufactured by others and supplied by us, the same being subject to warranties, if any, of their respective manufacturers.

Before any warranty can be allowed on any new equipment the applicable registration card MUST be on file with The Heil Co. Field Service Department.

Any service parts sold by The Heil Co. shall carry a thirty (30) day warranty for replacement only, providing the factory inspection reveals a material or workmanship defect. Labor to replace such part shall be borne by the owner.

WE MAKE NO OTHER WARRANTY, EXPRESS OR IMPLIED, AND MAKE NO WARRANTY OR MERCHANTABILITY OF FITNESS FOR ANY PARTICULAR PURPOSE. The Heil Co. does not assume liability for loss of product, time, or any other consequential damages. Any improper use, operation beyond rated capacity, substitution of parts not approved by us, or any alteration or repair by others in such manner as in our judgement affects the product materially and adversely shall void this Warranty. **NO EMPLOYEE OR REPRESENTATIVE IS AUTHORIZED TO CHANGE THIS WARRANTY IN ANY WAY OR GRANT ANY OTHER WARRANTY.**

The above warranty supersedes and is in lieu of all other warranties express or implied.



THE HEIL CO.
MILWAUKEE, WISCONSIN 53201

FORMULA 5000
REFUSE COLLECTION UNIT

PARTS MANUAL

PRICE \$10.00

NO. R73643-1079



The information and specifications included in this publication were in effect at the time of approval for printing. The Heil Co., Milwaukee, Wisconsin reserves the right, however, to discontinue or change specifications or design at any time without notice and without incurring any obligation whatsoever.



WARNING

IF INCORRECTLY USED, THIS EQUIPMENT CAN CAUSE SEVERE INJURY. THOSE WHO USE AND MAINTAIN THE EQUIPMENT SHOULD BE TRAINED IN ITS PROPER USE, WARNED OF ITS DANGERS, AND SHOULD READ ENTIRE MANUAL BEFORE ATTEMPTING TO SET UP, OPERATE, ADJUST OR SERVICE THE EQUIPMENT. KEEP THIS MANUAL FOR FUTURE REFERENCE.

IMPORTANT SAFETY NOTICE

Proper service and repair are important to the safe, reliable operation of the Heil Co.'s products. Service procedures recommended by Heil are described in this service manual and are effective for performing service operations. Some of these service operations may require the use of tools or blocking devices specially designed for the purpose. Special tools should be used when and as recommended. It is important to note that some warnings against the use of specific methods that can damage the product or render it unsafe are stated in the service manual. It is also important to understand these warnings are not exhaustive. Heil could not possibly know, evaluate and advise the service trade of all conceivable ways in which service might be done or of the possible hazardous consequences of each way. Consequently, Heil has not undertaken any such broad evaluations. Accordingly, anyone who uses service procedures or tools which are not recommended by Heil must first satisfy himself thoroughly that neither his safety nor the product safety will be jeopardized by the methods he selects.



ALPHABETICAL INDEX

B

Body Assembly	4 thru 7
Body to Truck Frame Mounting Parts	12 and 13

C

Controls:	
Air Throttle Control (For Units with Manual P.T.O.)	22 and 23
Air Throttle Control (For Units with Air Shift P.T.O.)	24 and 25
Electric Solenoid Throttle Control	20 and 21
P.T.O. Control Cable	18 and 19
P.T.O. Control Lever	16 and 17
Tailgate Controls	14 and 15
Cylinders:	
Ejector Cylinder	34 and 35
Ejector Cylinder (32 cu. yd. only)	36 and 37
Inside Packing Cylinder	38 and 39
Outside Packing Cylinder	40 and 41
Tailgate Lift Cylinder	42 and 43

D

Decals	66 and 67
--------------	-----------

E

Electrical Diagrams	
Cab and Engine Wiring	60 and 61

G

General Information	1 and 2
---------------------------	---------

N

Nomenclature	3
Numerical Index	68 thru 72

ALPHABETICAL INDEX (CONT'D.)

P

Piping Hydraulic:	
Body Piping	26 thru 29
Tailgate Piping	30 thru 33
Oil Filter Assembly	56 and 57
Oil Strainer Assembly	58 and 59
Pump Hydraulic	52 and 53

T

Tailgate Assembly	8 thru 11
-------------------------	-----------

V

Valves:	
Control Valve Assembly	44 thru 49
Manifold Assembly	54 and 55
Tailgate Control Valve Assembly	50 and 51

W

Wiring:	
Body Wiring	62 and 63
Tailgate Wiring	64 and 65

INDEXES

This catalog has been developed for easy identification of replacement parts for the HEIL Formula 5000. To facilitate easy identification of parts an alphabetical index is provided at the front of the manual to locate major groups and assemblies and a numerical index is provided at the rear which gives the part numbers of all replacement parts and pages on which they appear.

UNDERSTANDING THE PARTS LISTING (IMPORTANT)

Understanding how to use the parts listing is important for proper use of this catalog. Below is a sample parts listing with four(4) columns. The first is the reference number column, the second is the part number column, the third is the description column and the fourth is the number required column.

The numbers in the "REF" column are numbers corresponding with the circled reference numbers on the parts illustration for each replacement part.

The numbers in the "PART NUMBER" column are the numbers used to order particular replacement parts. Be sure when ordering parts that the number is written correctly.

The "DESCRIPTION" column is used to describe the replacement parts. In this column will be found indented descriptions. These indented descriptions are a part of the preceding assembly or sub-assembly (see example below). In other words, the CONTAINER ASSEMBLY is the main assembly and all indented descriptions under it are the parts that comprise the assembly. Also in some cases sub-assemblies may appear under an assembly. Again the parts that comprise the sub-assembly will be indented under the sub-assembly. (See the Door Latch Assembly, item 2 in the example below).

The quantities shown in the "REQ'D" column are the numbers of parts used on a unit, except where parts are indented in the description column. In this case, the quantity shown in the number required for the preceding assembly or sub-assembly. For example check the quantities for the Door Latch Assembly (item 2 in the example below). There are a quantity of 6 per Container Assembly. Now check the quantities for the indented items under the Door Latch Assembly. These quantities are for only one(1) Door Latch, not for all six.

PLEASE read each column carefully to ensure correct parts ordering.

NOTES AND DESIGNATIONS

Illustrations and (or) parts listing may be shown with notes or designations which apply to specific models. Where an illustration and (or) parts listing is shown without notes or designations, this indicates the parts listing covers all models.

TERMS

AR = AS REQUIRED

NSS = NOT SERVICED SEPARATELY

Ref. = REFERENCE

CATALOG CHANGES

When changes to the unit make it necessary to revise portions of this catalog, revised pages will be issued with the same page number as those they replace and the issue date will be advanced.

SERIAL NUMBERS

The serial plates are located on the top half and centered on front of body and tailgate.

HOW TO ORDER PARTS

When ordering parts for a specific unit, always include the body and/or tailgate model and serial number on your order. Order parts by description, part number and the quantity desired.

Give specific instructions. We want your order to reach you as quickly and economically as possible.

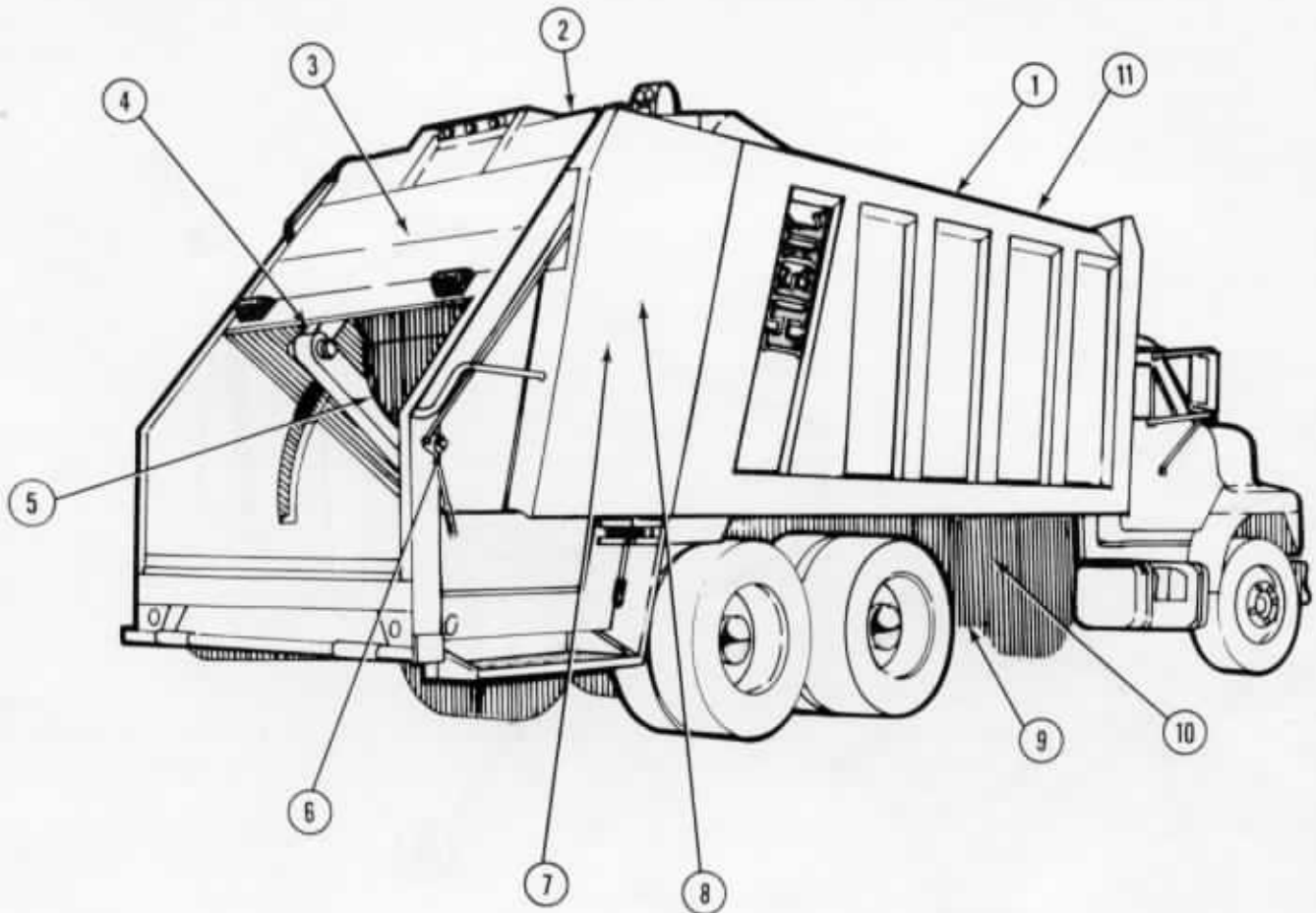
Contact your HEIL distributor for parts and service.

The HEIL Co.
Solid Waste Division
3000 W. Montana St.
Milwaukee, Wis. 53201

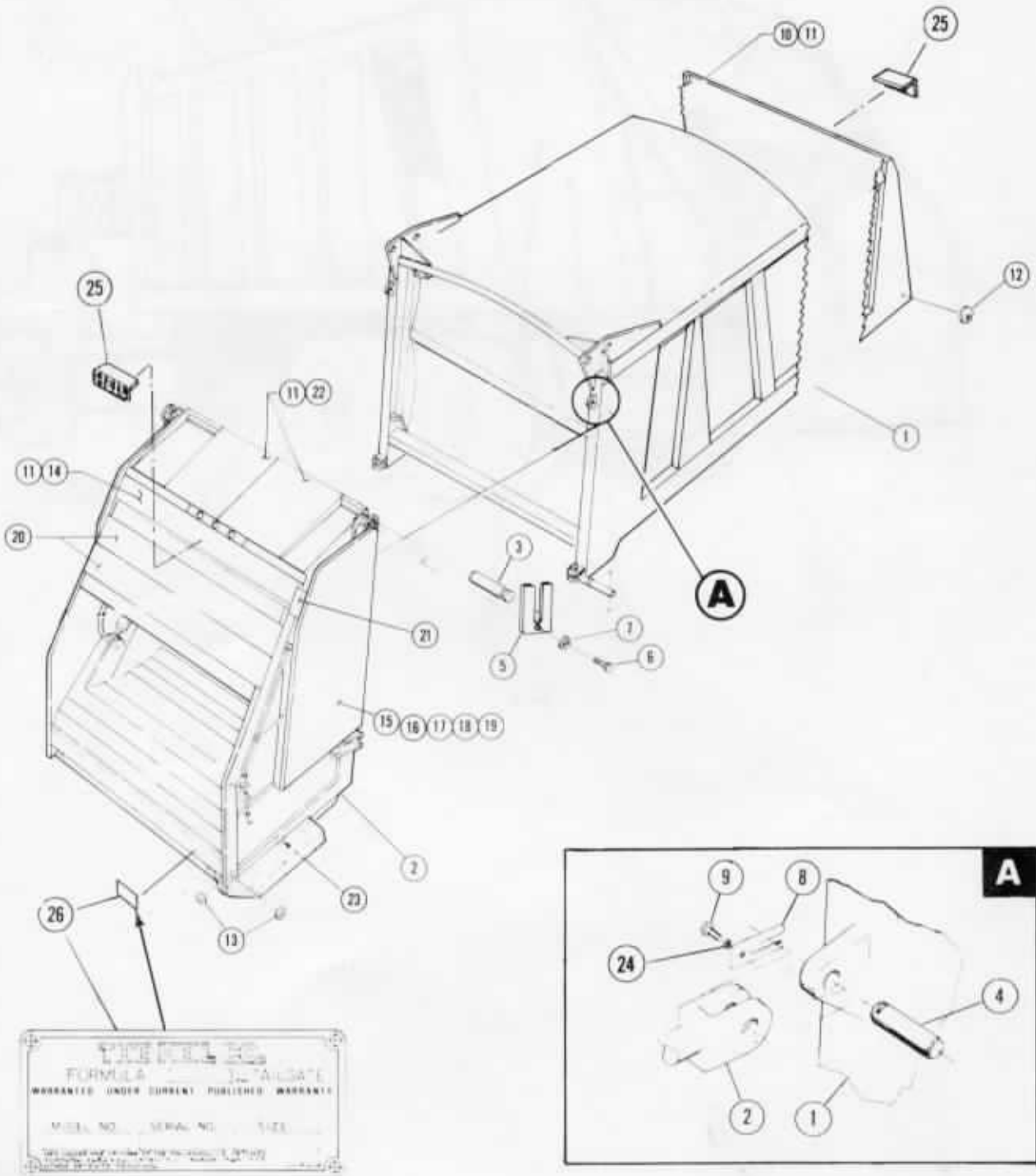
Cable Address - HEILCO



NOMENCLATURE



FORMULA 5000 COMPLETE

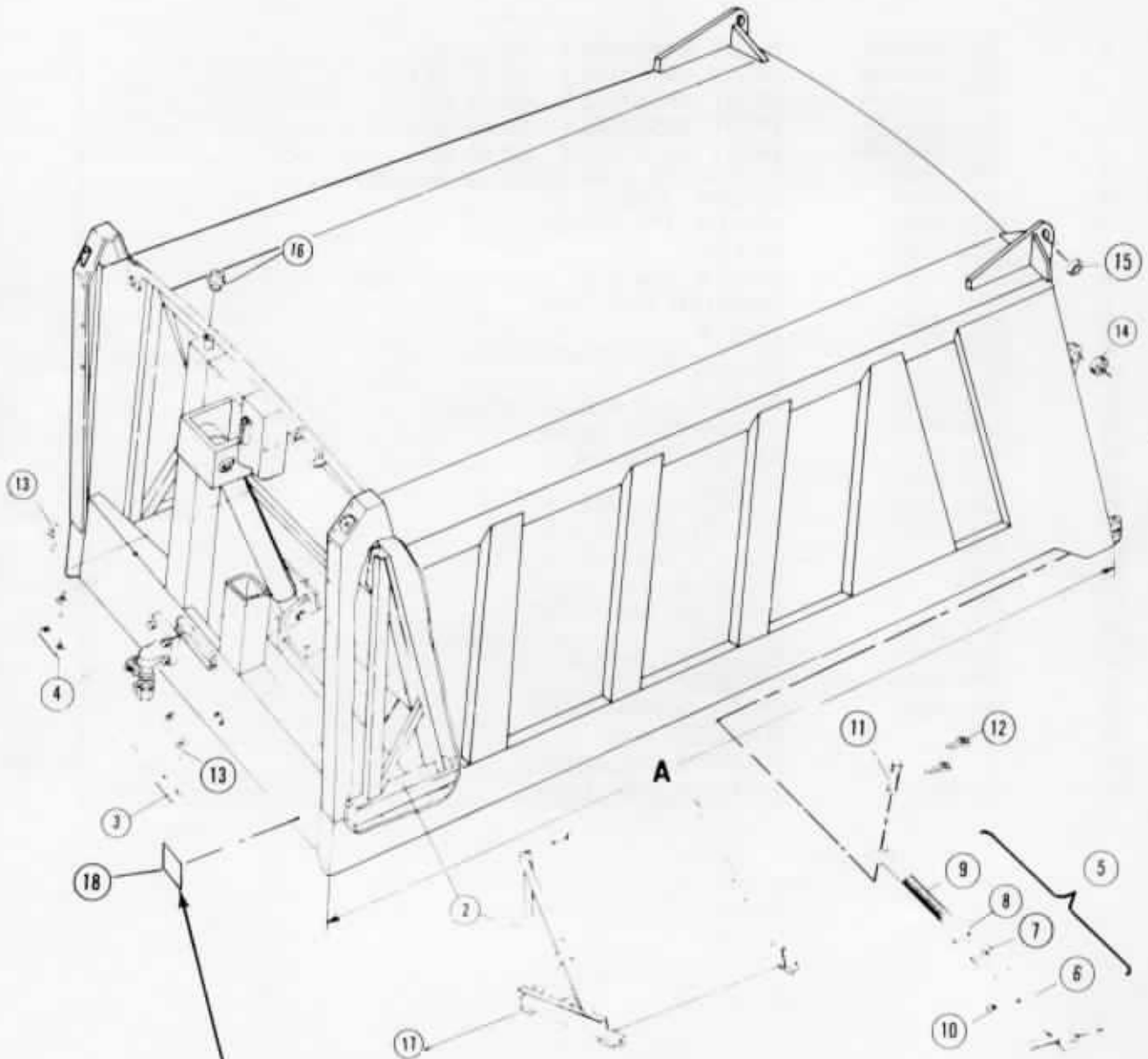




FORMULA 5000 COMPLETE

REF.	PART NO.	DESCRIPTION	REQ'D
1	T207-2903-01	BODY ASSEMBLY - (16 cu. yd.)	1
	T207-2903-02	BODY ASSEMBLY - (18 cu. yd.)	1
	T207-2903-03	BODY ASSEMBLY - (20 cu. yd.)	1
	T207-2903-04	BODY ASSEMBLY - (25 cu. yd.)	1
	T207-2903-05	BODY ASSEMBLY - (32 cu. yd.)	1
2	T207-2860	TAILGATE ASSEMBLY (16 thru 32)	1
3	S207-2788	SHAFT - HINGE	2
4	S207-9588	SHAFT - CYLINDER	2
5	S207-3423	PLATE	2
6	NSS	SCREW, cap. H.H. - 5/8"-18 x 1" GR 5	2
7	NSS	WASHER, lock - 5/8"	2
8	S207-3422	PLATE	2
9	NSS	BOLT - 3/8"-24 x 1" GR 5	2
10	S207-3230	COVER	1
11	47-1435-26	SCREW, self drilling-1/4" x 1"	30
12	S206-8706	REFLECTOR, amber	2
13	S206-8707	REFLECTOR, red	4
14	S207-8891	COVER	1
15	T207-2856	COVER ASSEMBLY, L.H.	1
16	T207-2857	COVER ASSEMBLY, R.H.	1
17	NSS	SCREW, cap-5/16"-18 x 3/4"	12
18	NSS	WASHER, flat - 5/16"	12
19	NSS	WASHER, lock - 5/16"	12
20	S207-3409	COVER	2
21	T207-3784	BRACKET, WELD	2
22	S207-8890	COVER	2
23	S011-5025	PLUG, closure - 1-1/4"	2
24	NSS	WASHER, lock	2
25		NAMEPLATE, (HEIL)	2
26	212-1209	NAMEPLATE, (HEIL)	1

BODY ASSEMBLY

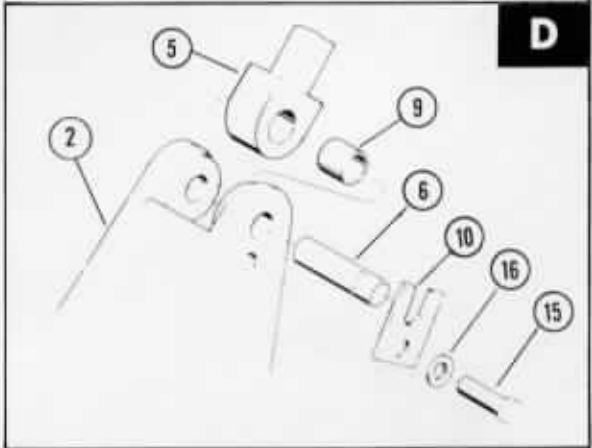
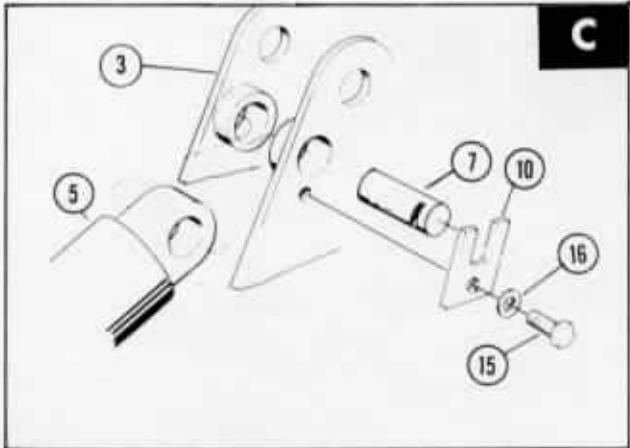
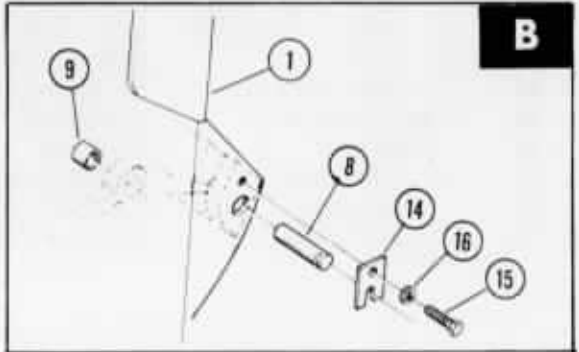
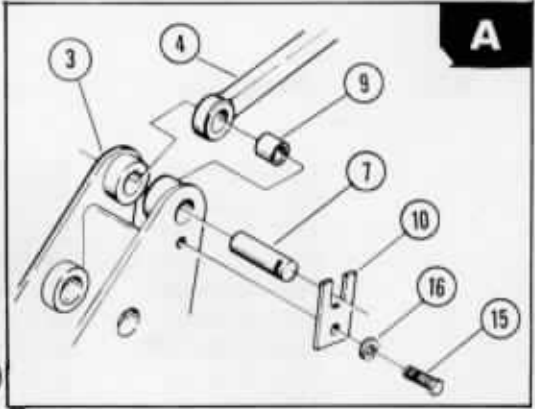
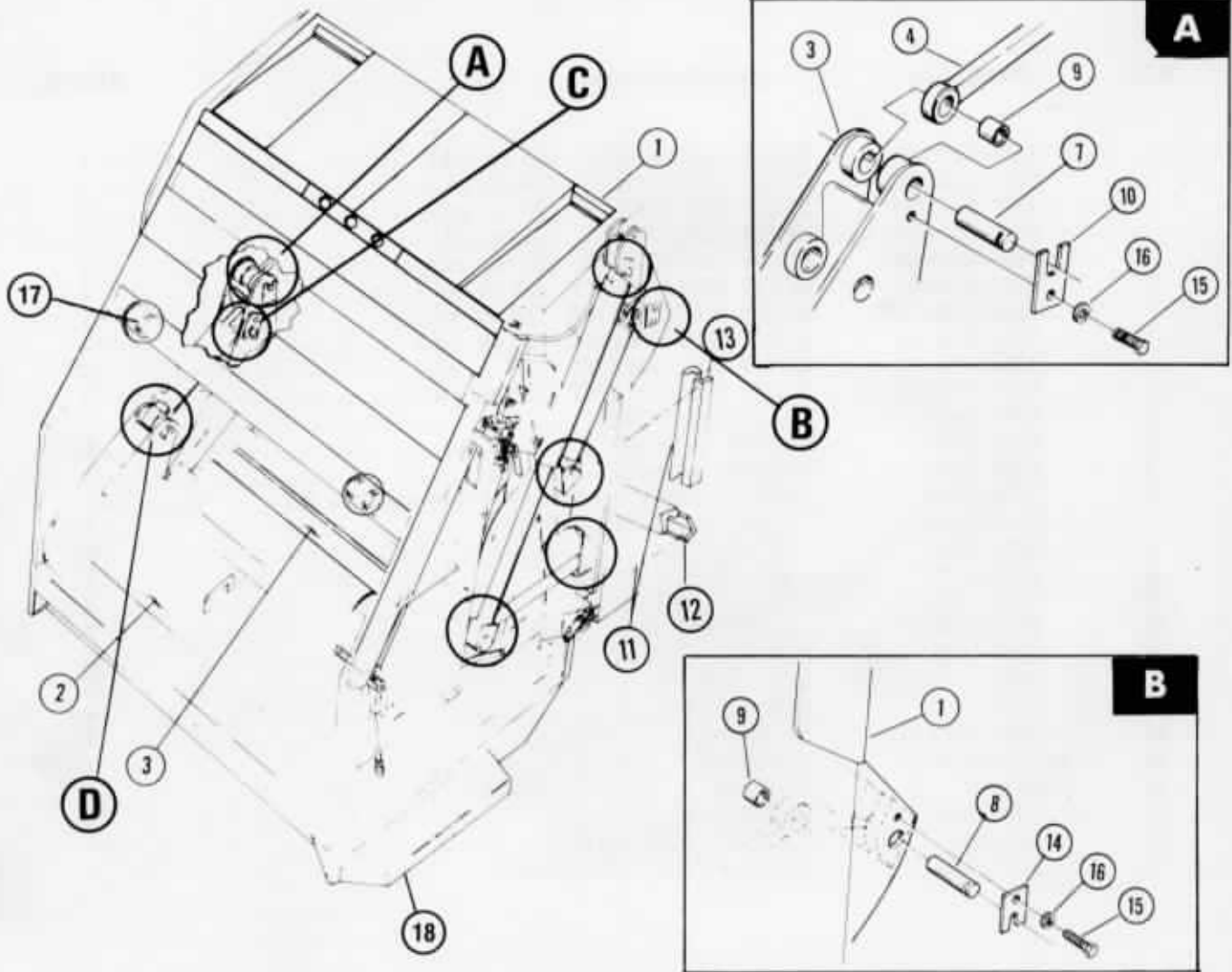




BODY ASSEMBLY

REF.	PART NO.	DESCRIPTION	REQ'D
-	T207-2903-01	BODY ASSEMBLY - (16 cu. yd.)	1
-	T207-2903-02	BODY ASSEMBLY - (18 cu. yd.)	1
-	T207-2903-03	BODY ASSEMBLY - (20 cu. yd.)	1
-	T207-2903-04	BODY ASSEMBLY - (25 cu. yd.)	1
-	T207-2903-05	BODY ASSEMBLY - (32 cu. yd.)	1
1	T207-2760-01	BODY WELDMENT - (16 cu. yd.)	1
	T207-2760-02	BODY WELDMENT - (18 cu. yd.)	1
	T207-2760-03	BODY WELDMENT - (20 cu. yd.)	1
	T207-2760-04	BODY WELDMENT - (25 cu. yd.)	1
	T207-2760-05	BODY WELDMENT - (32 cu. yd.)	1
2	T207-2600	EJECTOR PANEL	1
3	S207-2907	SHAFT, cylinder	1
4	S207-2908	SHAFT, cylinder	1
5	T204-8409	LATCH ASS'Y - (consists of items 6 thru 10)	1
6	T204-8466	LATCH HANDLE ASS'Y	2
7	S204-2986	WASHER	2
8	S204-8413	BEARING, thrust	2
9	S204-8414	EYE-BOLT, latch	2
10	FS190400	FITTING, lube, 1/8 -27	2
11	S207-4775	PIN	2
12	NSS	PIN, cotter	2
13	NSS	PIN, cotter	4
14	S207-2640-04	BEARING	2
15	S207-2640-01	BEARING	2
16	60-0402	CAP, fill	1
17	S207-3629	BEARINGS	2
18	212-1210	NAMEPLATE, (HEIL)	1
19	S207-3219	BODY FRONT SECTION	1

TAILGATE ASSEMBLY



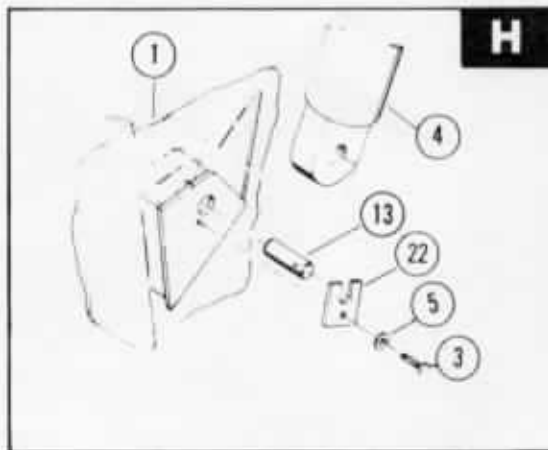
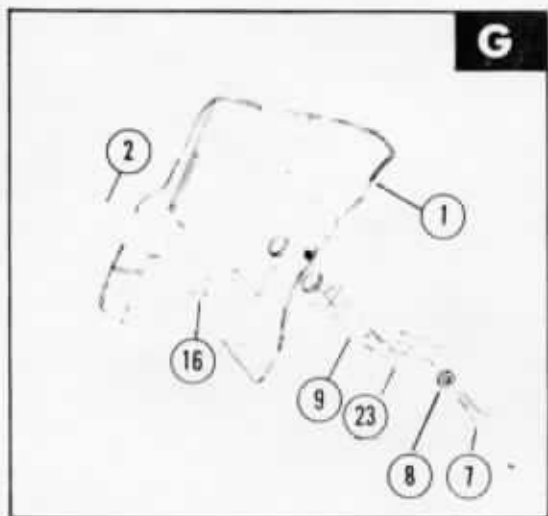
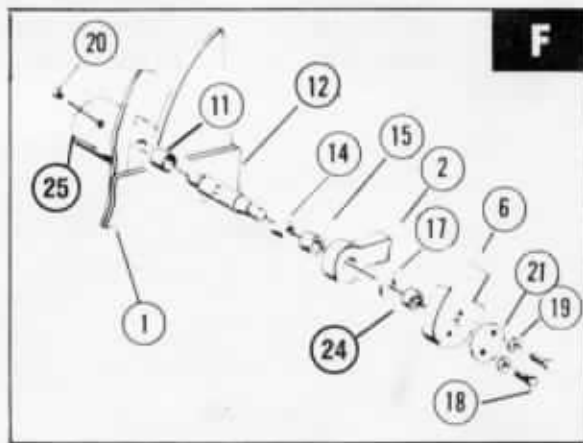
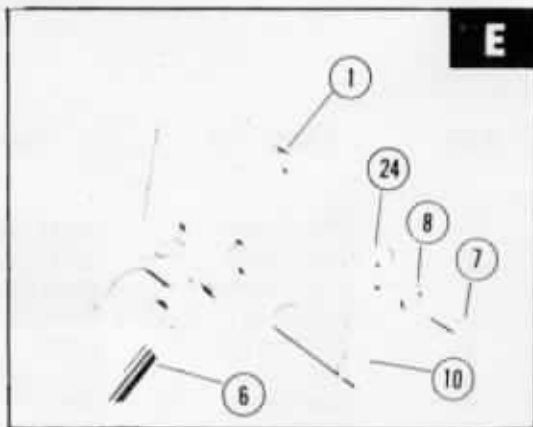
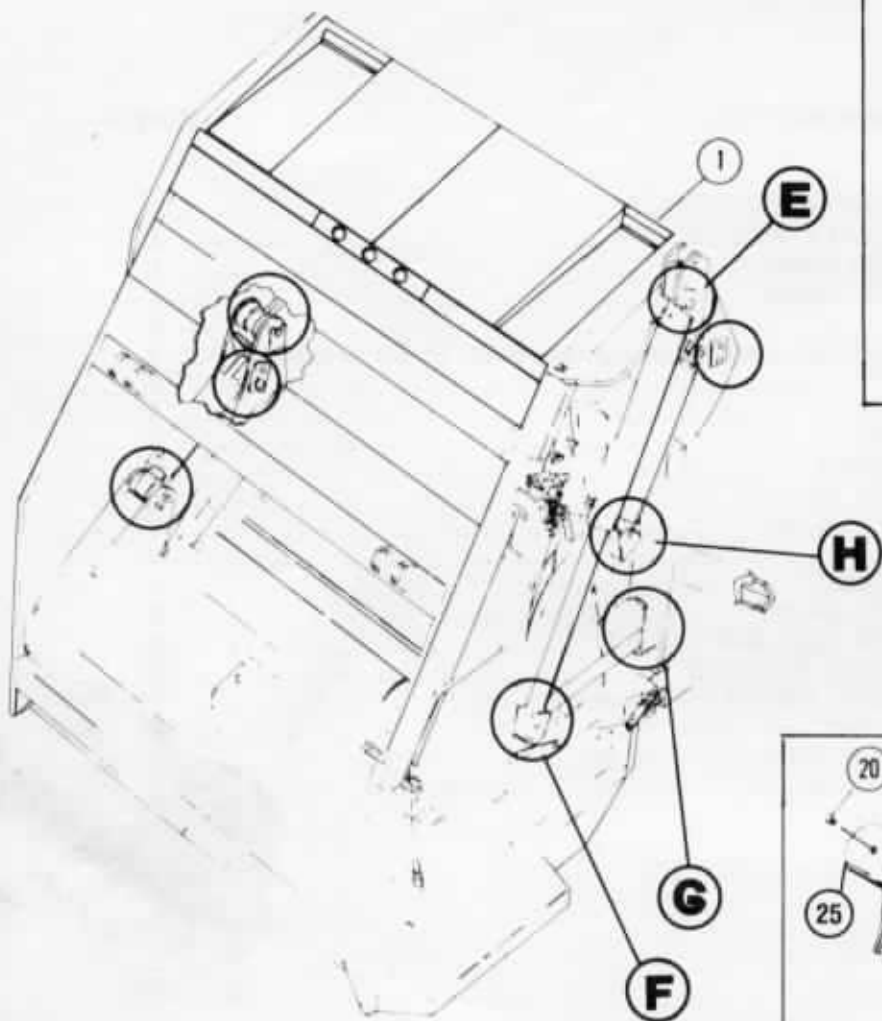


TAILGATE ASSEMBLY

REF.	PART NO.	DESCRIPTION	REQ'D
-	T207-2860	TAILGATE ASSEMBLY	1
1	T207-2520	TAILGATE WELDMENT	1
2	T207-2379	PANEL, lower	1
3	T207-2421	PANEL, upper	1
4	S207-2470	LINK	2
5	A001-4094	CYLINDER, inside packing (see page 38 for breakdown) ..	2
6	S207-2785	SHAFT	2
7	S207-2786	SHAFT	4
8	S207-2789	SHAFT	2
9	S207-2640-01	BEARING	6
10	S207-3455	PLATE, keeper	6
11	S207-2861	SEAL, tailgate	1
12	S207-2552	ANGLE	3
13	S207-2862	ANGLE	2
14	S207-3423	PLATE, keeper	6
15	NSS	SCREW, cap - 5/8" - 18 x 1"	12
16	NSS	WASHER, lock - 5/8"	12
17	S206-8235	RUBBER STOPS (lift attachment only)	2
18	A121-1117	STEP (left and right)	2
19	S207-2450	FACE PLATE (not illustrated)	1
20	A094-1349	HOPPER FRONT COMPLETE (includes 19)	1

(CONTINUED)

TAILGATE ASSEMBLY (CONT'D)

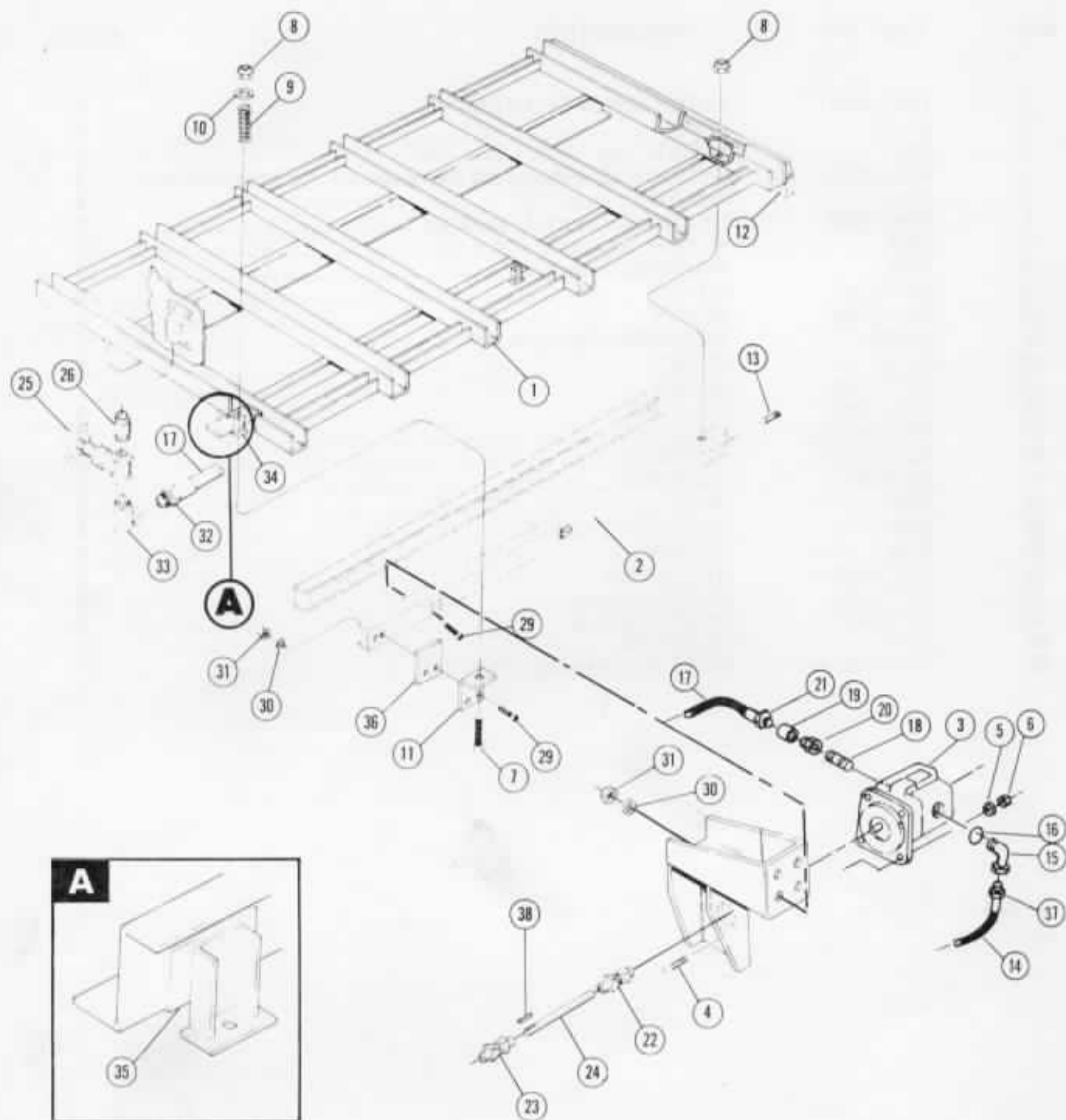




TAILGATE ASSEMBLY (CONT'D.)

REF.	PART NO.	DESCRIPTION	REQ'D
1	T207-2520	TAILGATE WELDMENT	1
2	4-1758	LINK	2
3	NSS	SCREW, cap - 3/8" - 24 x 7/8"	2
4	A001-4092	CYLINDER, tailgate lift (see page 42 for breakdown)	2
5	NSS	WASHER, lock; 3/8"	2
6	A001-4093	CYLINDER, outside packing	2
7	NSS	SCREW, cap; 5/8" - 18 x 1"	12
8	NSS	WASHER, lock; 5/8"	12
9	S207-2787	SHAFT	2
10	S207-2788	SHAFT	2
11	3-3589	BEARING (See item 25)	2
12	8-8125	SHAFT	2
13	S207-7340	SHAFT	2
14	S207-7946	WASHER	2
15	S207-2640-02	BEARING	2
16	S207-2640-03	BEARING	2
17	S207-7976	WASHER	2
18	NSS	BOLT	4
19	NSS	WASHER, lock-1/2"	4
20	NSS	SCREW	2
21	S207-2855	RETAINER	2
22	S207-3422	PLATE, keeper	2
23	S207-3423	PLATE, keeper	6
24	3-3590	BEARING	2
25	S207-4579-99	BOSS (less Bearing - item 11)	2

BODY MOUNTING

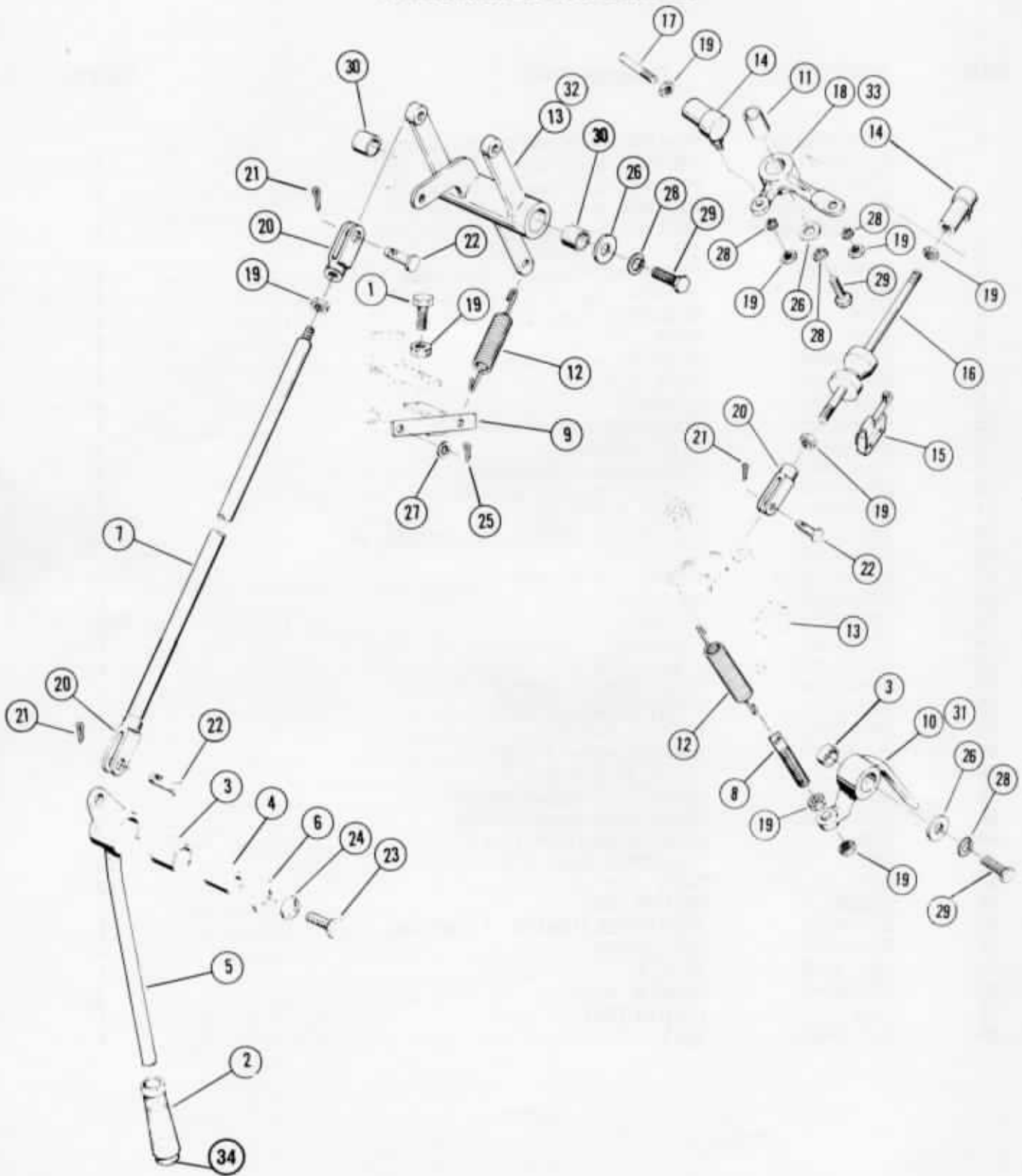




BODY MOUNTING

REF.	PART NO.	DESCRIPTION	REQ'D
1	T207-2631-01	FRAME, body ass'y - (16 cu. yd.)	1
	T207-2631-02	FRAME, body ass'y - (18 cu. yd.)	1
	T207-2631-03	FRAME, body ass'y - (20 cu. yd.)	1
	T207-2631-04	FRAME, body ass'y - (25 cu. yd.)	1
	T207-2631-05	FRAME, body ass'y - (32 cu. yd.)	1
2		TRUCK FRAME (Ref.)	
3	T207-9310	PUMP ASSEMBLY - (see page 52)	1
4	NSS	SCREW, cap - 1/2" - 20 x 1 3/4"	4
5	NSS	WASHER, lock - 1/2"	4
6	NSS	NUT, 1/2"-20	4
7	S010-3804	SCREW, cap - 1"-8 x 6"	4
8	S010-6424	NUT, lock 1"-8	6
9	S206-2024	SPRING	4
10	S010-2975	WASHER, flat - 1 1/16" LD.	4
11	S206-2105	CLIP ANGLE	4
12	T206-4814	CHANNEL ASSEMBLY	1
13	S010-3402	SCREW, cap 1"-8 x 2 1/4"	2
14	S207-3255	HOSE, 3/4" x 84"	1
15	S207-9350	ADAPTER UNION, 3/4", includes 16	1
16	S010-7528	"O" RING	
17	S206-1235-04	HOSE - 1-1/2" x 65"	1
18	S207-9355	ELBOW	1
19	S207-9214	CLAMP	1
20	S207-9351	FLANGE	1
21	FS07-1024	CAP SCREW	1
22	S205-7354	UNIVERSAL JOINT	1
23	S204-3472	UNIVERSAL JOINT	1
24	S300-7135	SHAFT, drive	1
25	S010-8810	VALVE, gate - 1-1/2"	1
26	NSS	NIPPLE - 1-1/2" x 3"	1
27	S207-4038	BRACKET, pump (upper)	1
28	S207-4039	BRACKET, pump (lower)	1
29	NSS	SCREW, cap 5/8"-18 x 2"	12
30	NSS	WASHER, lock - 5/8"	12
31	NSS	NUT - 5/8"-18	12
32	S203-9885	COUPLING	1
33	S010-6171	ADAPTER UNION - 1-1/2" - 90	1
34	T206-2104	TIE DOWN	4
35	S207-4448	PLATE	4
36	S207-4449	PLATE, wear	4
37	NSS	COUPLING	1
38	S010-5862	KEY	1

TAILGATE CONTROLS

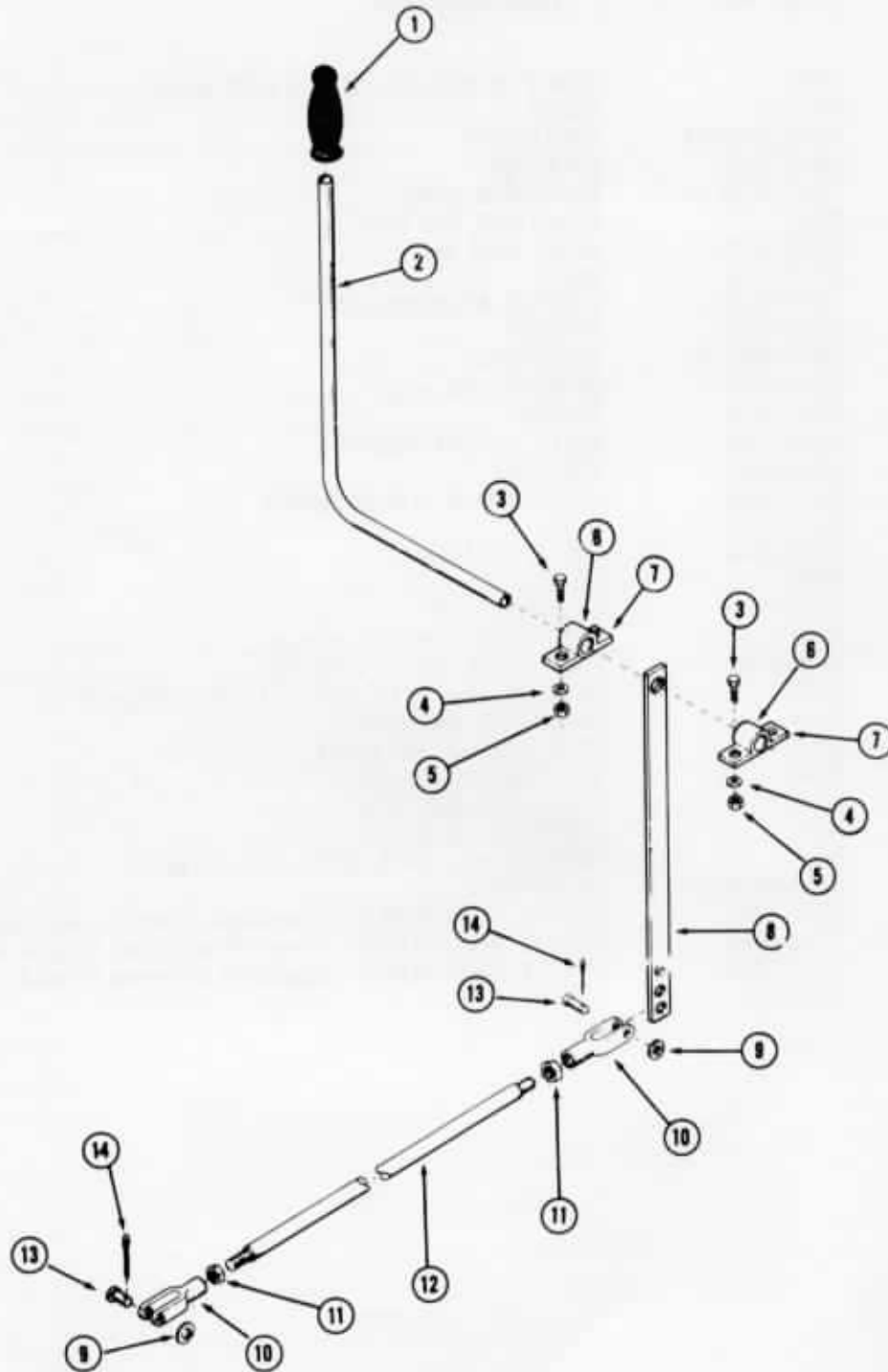




TAILGATE CONTROLS

REF.	PART NO.	DESCRIPTION	REQ'D
1	NSS	BOLT, H.H. 1/2" - 20 x 1 1/2" gr. 5	1
2	70-1172	GRIP	1
3	S207-2640-09	BEARING	1
4	S207-3186	SPACER	1
5	T207-6176	HANDLE, weld	1
6	NSS	WASHER, flat 5/8"	1
7	T207-5139	ROD, weld ass'y	1
8	S207-3169	ROD	1
9	T207-6168	LEVER ASSEMBLY	1
10	S207-3170	PIVOT	1
11	S207-2640-10	BUSHING	1
12	S207-3181	SPRING (19 coils)	2
13	S207-3175	PIVOT	1
14	S206-7386	BALL JOINT ASS'Y	2
15	S203-3580	SWITCH	1
16	T207-4968	ACTUATOR WELD ASS'Y	1
17	S207-2690	ROD	1
18	S207-2683	BELL CRANK	1
19	NSS	NUT, jam - 1/2" - 20	9
20	S010-4292	CLEVIS, 1/2"	2
21	NSS	PIN, cotter 1/8" x 7/8" Lg.	3
22	S010-5708	PIN, clevis, 1/2" x 1 23/64"	3
23	NSS	SCREW, cap, H.H. 5/8" - 11 x 2 1/4" gr. 5	1
24	NSS	WASHER, flat, 5/8"	1
25	NSS	PIN, cotter 3/32" x 3/4"	1
26	NSS	WASHER, flat, 1/2"	3
27	NSS	WASHER, flat, 3/8"	1
28	NSS	WASHER, lock 1/2"	5
29	NSS	SCREW, cap, H.H. 1/2" - 13 x 1" gr. 5	3
30	S207-2640-05	BUSHING	5
31	T207-4901	PIVOT ASSEMBLY - (consists of items 3 and 10)	1
32	T207-4903	PIVOT ASSEMBLY - (consists of items 13 and 30)	1
33	T207-4902	PIVOT ASSEMBLY - (consists of items 11 and 18)	1
34	108-1113	SWITCH	1

P.T.O. CONTROL LEVER
(SERVICE ONLY)

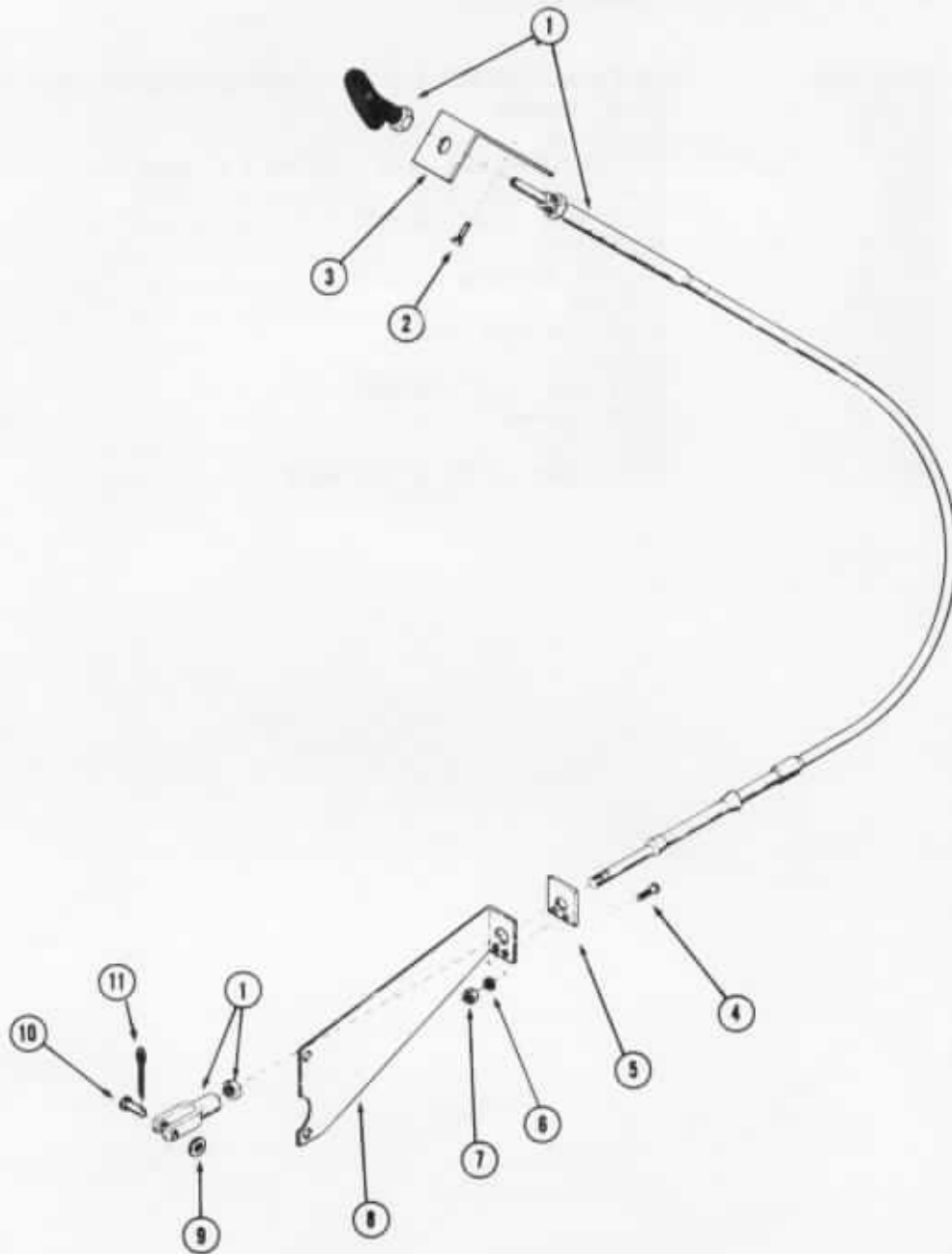




P.T.O. CONTROL LEVER
(SERVICE ONLY)

REF.	PART NO.	DESCRIPTION	REQ'D
-	K254-0884	CONTROL LEVER, P.T.O. - (consists of items 1 thru 14) ..	1
1	70-0680	GRIP, handle	1
2	70-0765	HANDLE	1
3	NSS	CAPSCREW, hex - 1/4" - 20 NC x 1" long	4
4	NSS	WASHER, flat - 1/4"	4
5	NSS	NUT, lock - 1/4" - 20 NC	4
6	3-2614	BEARING	2
7	34-9394	PLATE, bearing	2
8	13-4122	LEVER	1
9	NSS	WASHER, flat - 3/8"	2
10	32-0009	YOKE	2
11	NSS	NUT, hex - 1/2" - 20 NF	2
12	27-1718	ROD, control	1
13	48-3127-04	PIN, yoke	2
14	NSS	PIN, cotter - 3/32" x 3/4" long	2

P.T.O. CONTROL CABLE
(SERVICE ONLY)

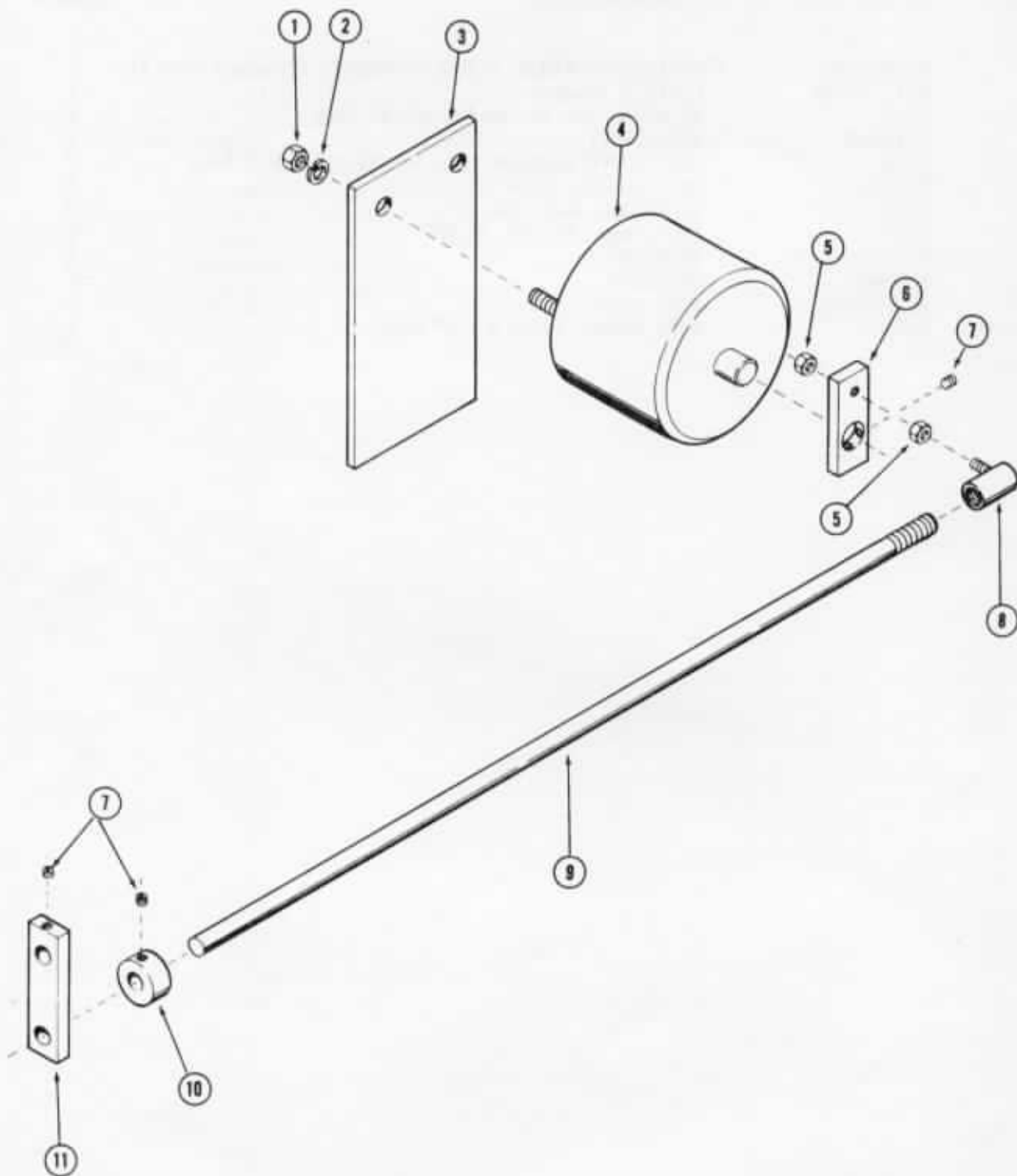




P.T.O. CONTROL CABLE
(SERVICE ONLY)

REF.	PART NO.	DESCRIPTION	REQ'D
-	K254-0880	CONTROL CABLE, P.T.O. - (consists of items 1 thru 11) ..	1
1	254-1074-02	CABLE, control	1
2	NSS	SCREW - No. 10 - 16 NC x 3/4" long	2
3	111-8809	BRACKET	1
4	NSS	MACHINE SCREW - No. 10 - 32 NF x 3/4" long	2
5	53-0814	RETAINER, cable	1
6	NSS	WASHER, lock - No. 10	2
7	NSS	NUT, hex - No. 10 - 32 NF	2
8	111-1320	BRACKET	1
9	15-1665	SPACER	1
10	48-3127-02	PIN, yoke	1
11	NSS	PIN, cotter - 1/16" x 1/2" long	1

ELECTRIC SOLENOID THROTTLE CONTROL

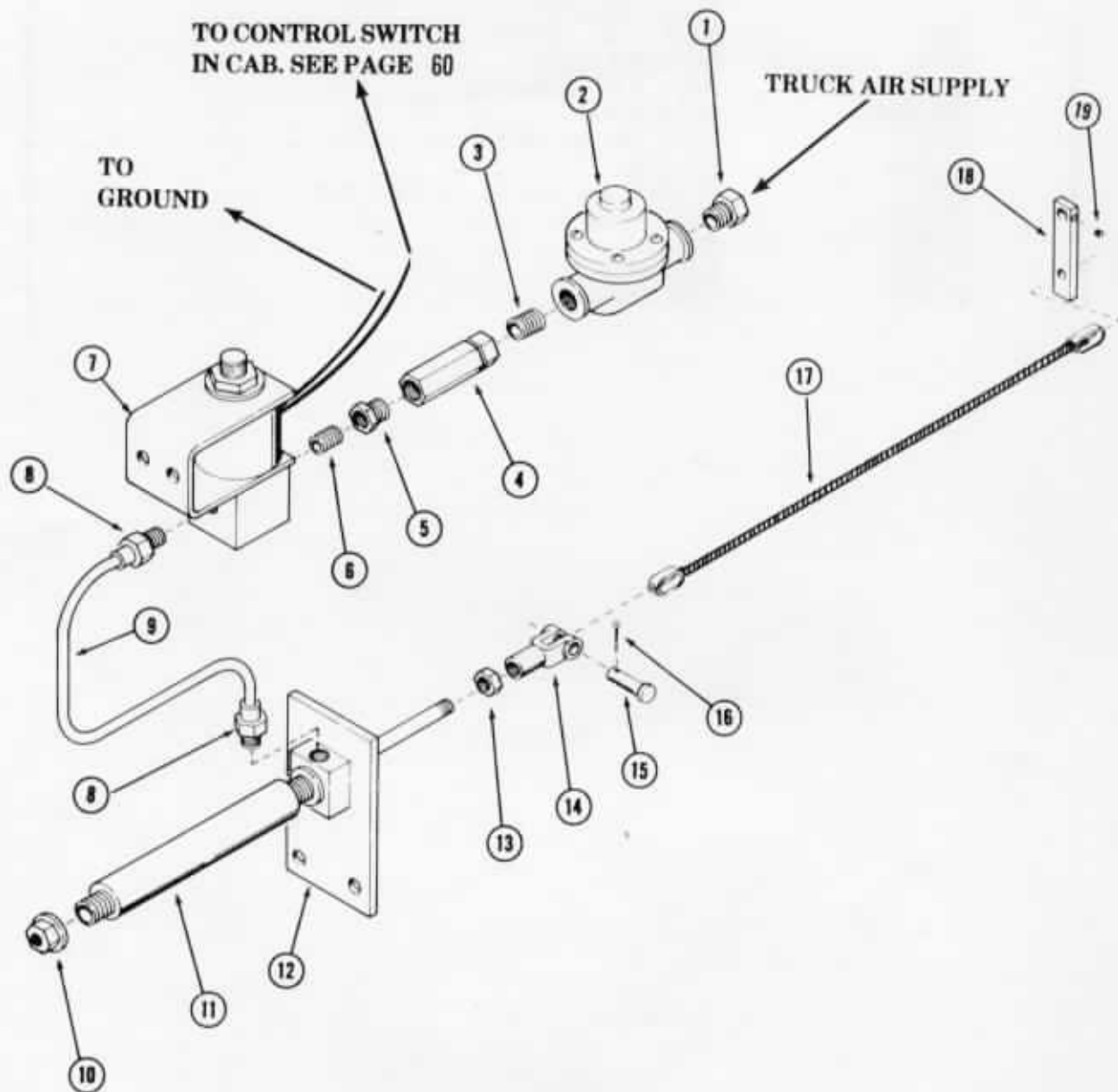




ELECTRIC SOLENOID THROTTLE CONTROL

REF.	PART NO.	DESCRIPTION	REQ'D
-	K272-1556	KIT, electric solenoid throttle control - (consists of	
		items 1 thru 12)	1
1	NSS	NUT - 1/4" - 20 NF	2
2	NSS	LOCKWASHER	2
3	11-8670	BRACKET, mounting	1
£	108-0599	SOLENOID	1
5	NSS	NUT - No. 10 - 32 NF	2
6	21-2326	LEVER	1
7	NSS	SCREW, set - No. 10 - 32 NF x 1/4"	3
8	32-0707	JOINT, ball	1
9	27-2838	ROD	1
10	21-2328	BAR, stop	1
11	21-2327	BAR, throttle	1

AIR THROTTLE CONTROL
(FOR UNITS WITH MANUAL P.T.O.)

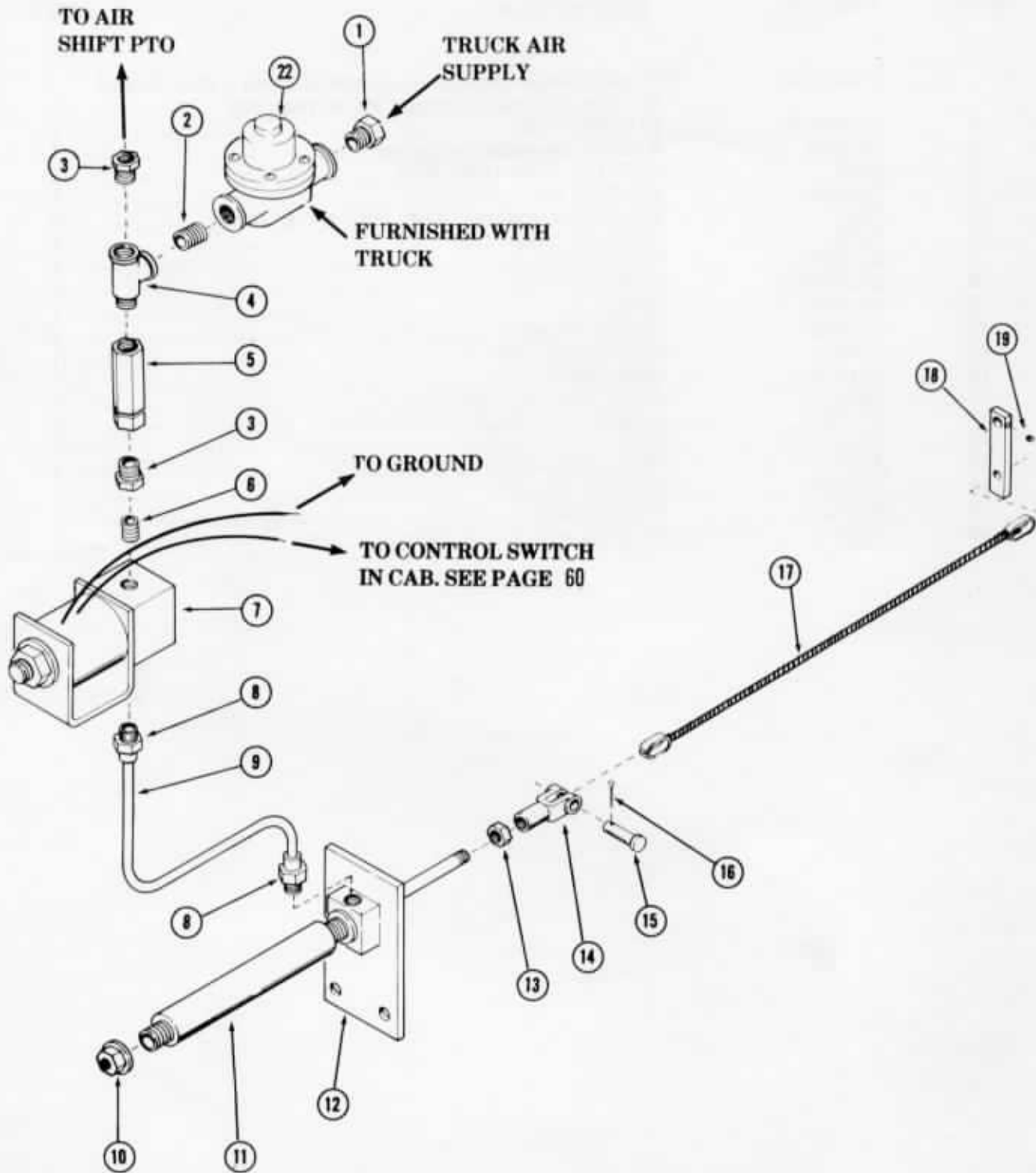




AIR THROTTLE CONTROL
(FOR UNITS WITH MANUAL P.T.O.)

REF.	PART NO.	DESCRIPTION	REQ'D
-	K252-9023	KIT, air throttle control - (consists of items 1 thru 20 and 21 - cab and engine wiring kit on page 82)	1
1	54-3526-04	CONNECTOR	1
2	31-1909	VALVE, pressure protection	1
3	NSS	NIPPLE, close - 1/4" NPT	1
4	75-0434	FILTER, air	1
5	NSS	BUSHING, reducer - 1/4" NPT x 1/8" NPT	2
6	NSS	NIPPLE, close - 1/8" NPT	1
7	31-1908	SOLENOID, air	1
8	54-5236-01	CONNECTOR	2
9	54-5420	TUBE	1
10	60-0408	VENT, breather	1
11	1-3405	CYLINDER, air	1
12	111-8370	BRACKET	1
13	NSS	NUT, jam - 1/4" NF	1
14	32-0968	YOKE	1
15	48-3127-02	PIN	1
16	NSS	PIN, cotter - 1/16" x 1/2" long	1
17	97-0376	CABLE, throttle	1
18	21-2327	BAR, throttle	1
19	NSS	SCREW, set - No. 10 NF x 1/4" long	1

**AIR THROTTLE CONTROL
(FOR UNITS WITH AIR SHIFT P.T.O.)**

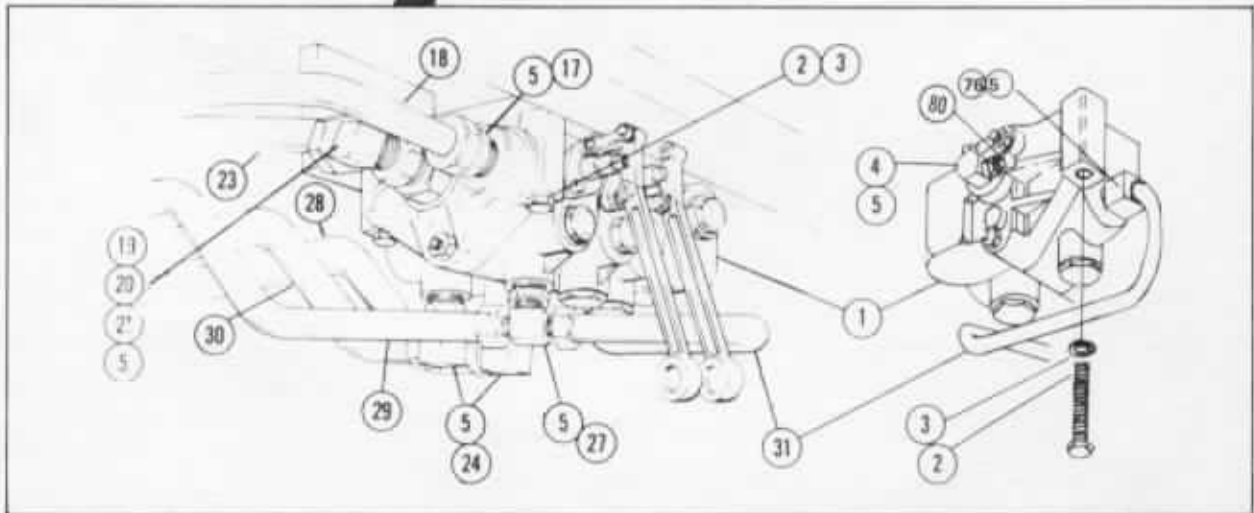
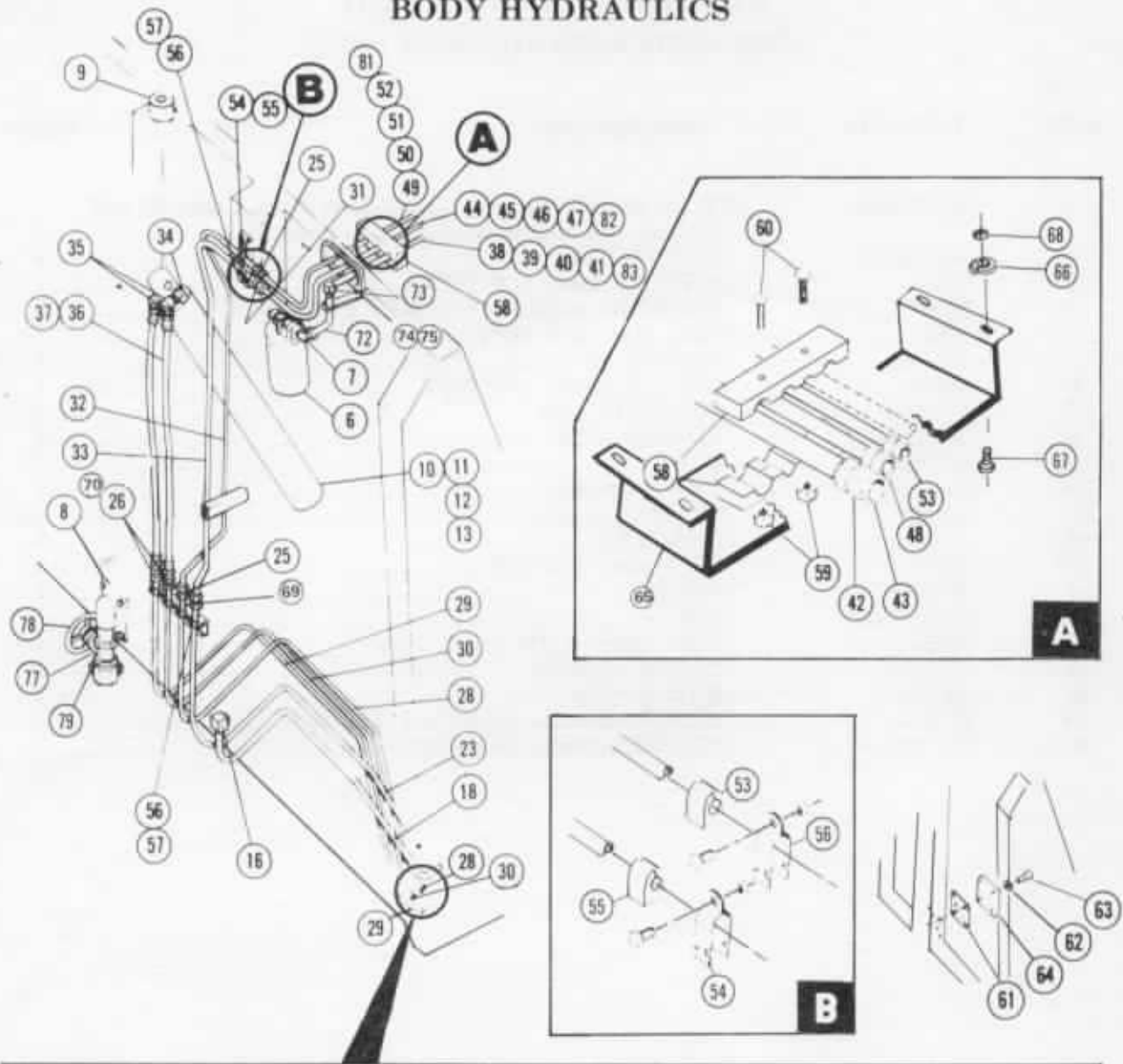




AIR THROTTLE CONTROL
(FOR UNITS WITH AIR SHIFT P.T.O.)

REF.	PART NO.	DESCRIPTION	REQ'D
-	K272-1554	KIT, air throttle control - (consists of items 1 thru 20 and 21 - cab and engine wiring kit on page 82)	1
1	54-3528-04	CONNECTOR	1
2	NSS	NIPPLE, close - 1/4" NPT	1
3	NSS	BUSHING, reducer - 1/4" NPT x 1/8" NPT	2
4	NSS	TEE, pipe - 1/4" NPT	1
5	75-0434	FILTER, air	1
6	NSS	NIPPLE, close - 1/8" NPT	1
7	31-1908	SOLENOID, air	1
8	54-5236-01	CONNECTOR	2
9	54-5420	TUBE	1
10	60-0408	VENT, breather	1
11	1-3405	CYLINDER, air	1
12	111-8370	BRACKET	1
13	NSS	NUT, jam - 1/4" NF	1
14	32-0968	YOKE	1
15	48-3127-02	PIN	1
16	NSS	PIN, cotter - 1/16" x 1/2" long	1
17	97-0376	CABLE, throttle	1
18	21-2327	BAR, throttle	1
19	NSS	SCREW, set - No. 10 NF x 1/4" long	1
20	31-1909	VALVE, pressure protection	1

BODY HYDRAULICS



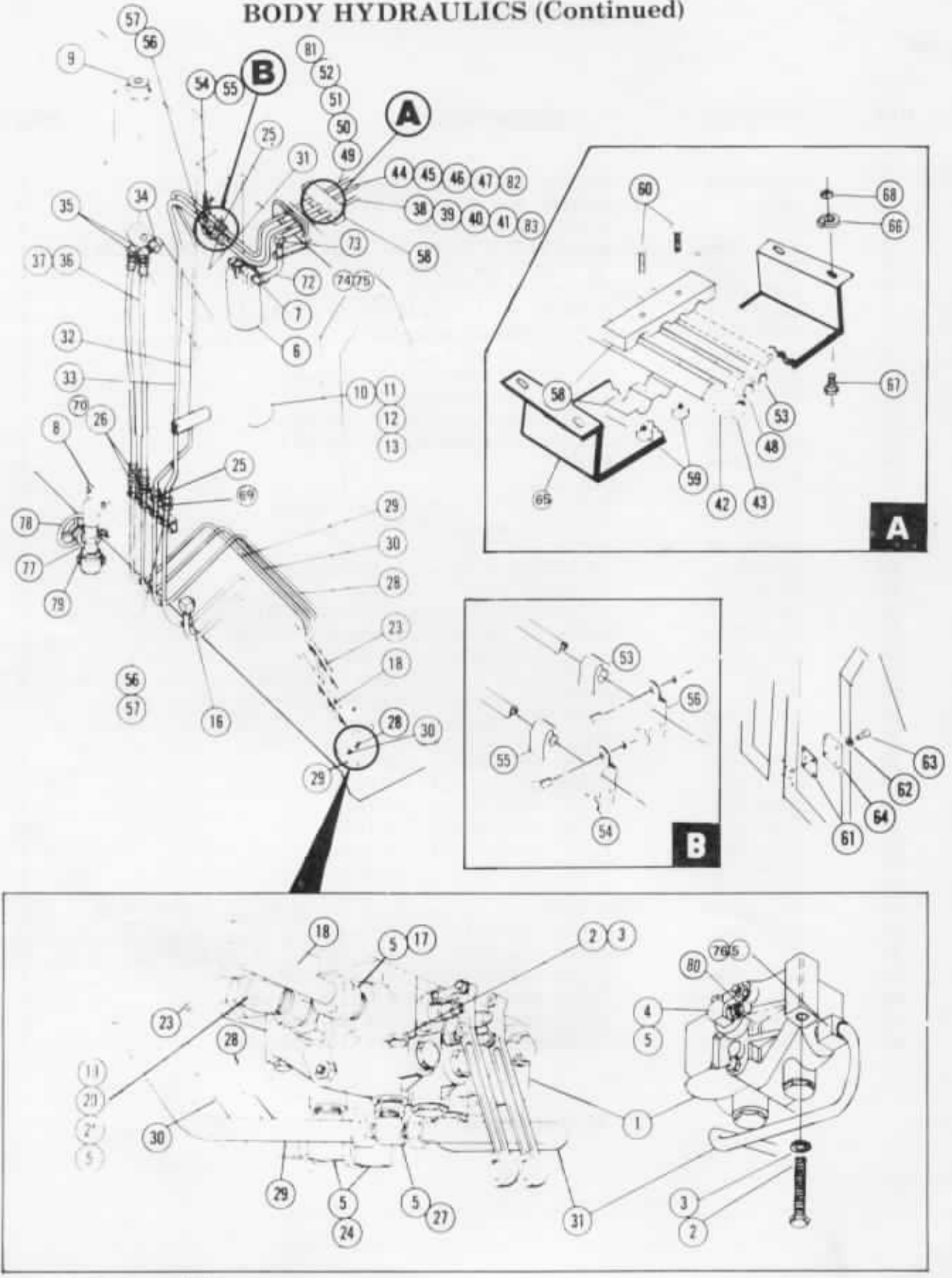


BODY HYDRAULICS

REF.	PART NO.	DESCRIPTION	REQ'D
1	T207-4656	VALVE ASSEMBLY, underbody	1
2	NSS	SCREW, hex H.D. 5/16 24 x 2 - 3/4	3
3	NSS	WASHER, lock-5/16	3
4	S010-7790	ADAPTER UNION - 90° male 1/16 ST. THD. to 3/4 N.P.S.M.	1
5	S010-7528	"O" RING, for 1 1/16 12 thd.	1
6	T207-2439	FILTER ASSEMBLY	1
7	54-3531-11	ELBOW, 45° 1 - 1/4 M.P.T. to 1 1/4 tube	1
8	T207-3645	STRAINER, oil assembly	1
9	S207-5364	GAUGE, oil level assembly	1
10	T207-3612	CYLINDER ASSEMBLY - (16 yd.)	1
11	T207-3613	CYLINDER ASSEMBLY - (18 yd.)	1
12	T207-3611	CYLINDER ASSEMBLY - (20 yd.)	1
13	T207-3614	CYLINDER ASSEMBLY - (25 yd.)	1
14	S207-2908	SHAFT	1
15	NSS	PIN, cotter	2
16	S010-5436	ELBOW, 90° 3/4 M.P.T. to 3/4 tube	1
17	54-3341-08	FITTING, straight 3/4 tube to 3/4 ST. THD. male	1
18	S207-8954	TUBE ASSEMBLY, 3/4 O.D.	1
19	S207-2441	ADAPTER, 5/8 male to 3/4 female	1
20	S010-7572	"O" RING, for 7/8 - 14 thd.	1
21	54-3340-08	ELBOW, 90° 3/4 tube to 3/4 ST. THD.	1
22	54-3007-08	FITTING, straight 3/4 tube to 3/4 tube	1
23	S207-8955	TUBE ASSEMBLY, 3/4 O.D.	1
24	54-3340-06	ELBOW, 90° 1/2 tube to 3/4 ST. THD.	2
25	54-3007-06	FITTING, straight 1/2 tube to 1/2 tube	1
26	54-3535-06	FITTING, straight 1/2 tube to 3/4 J.I.C.	1
27	54-3344-06	TEE RUN - 1/2 tube to 3/4 ST. THD.	1
28	S207-8956	TUBE ASSEMBLY, 1/2 O.D.	1
29	S207-8957	TUBE ASSEMBLY, 1/2 O.D.	1
30	S207-8958	TUBE ASSEMBLY, 1/2 O.D.	1
31	S207-9072	TUBE ASSEMBLY, 1/2 O.D.	1
32	S207-8960	TUBE ASSEMBLY, 1/2 O.D.	1
33	S207-8961	TUBE ASSEMBLY, 1/2 O.D.	1
34	74-3203-03	ADAPTER UNION - 90° male	2
35	74-3062-04	ELBOW, 45° swivel 1/2 M.P.T. to female 1/2 N.P.S.M.	2
36	S207-4925	HOSE, ASSEMBLY 1/2" x 48" LG 25 yd. only	2
37	S207-5401	HOSE, ASSEMBLY 1/2" x 34" LG 16, 18 & 20 yd.	2
38	S207-8965-01	TUBE ASSEMBLY, 1 1/4 O.D. (16 yd.)	1
39	S207-8965-02	TUBE ASSEMBLY, 1 1/4 O.D. (18 yd.)	1
40	S207-8965-03	TUBE ASSEMBLY, 1 1/4 O.D. (20 yd.)	1
41	S207-8965-04	TUBE ASSEMBLY, 1 1/4 O.D. (25 yd.)	1

(Continued)

BODY HYDRAULICS (Continued)





BODY HYDRAULICS (CONT'D.)

REF.	PART NO.	DESCRIPTION	REQ'D
42	5010-5505	ADAPTER, straight-1 1/4 tube to 1 1/4 F.P.T.	1
43	NSS	BUSHING, reducing-1 1/4 M.P.T. to 1" F.P.T.	1
44	S207-8962-01	TUBE ASSEMBLY 3/4 O.D. - (16 yd.)	1
45	S207-8962-02	TUBE ASSEMBLY 3/4 O.D. - (18 yd.)	1
46	S207-8962-03	TUBE ASSEMBLY 3/4 O.D. - (20 yd.)	1
47	S207-8962-04	TUBE ASSEMBLY 3/4 O.D. - (25 yd.)	1
48	S010-7270	ADAPTER, straight 3/4 tube to 3/4 F.P.T.	1
49	S207-8963-01	TUBE ASSEMBLY, 1/2 O.D. - (16 yd.)	1
50	S207-8963-02	TUBE ASSEMBLY, 1/2 O.D. - (18 yd.)	1
51	S207-8963-03	TUBE ASSEMBLY, 1/2 O.D. - (20 yd.)	1
52	S207-8963-04	TUBE ASSEMBLY, 1/2 O.D. - (25 yd.)	1
53	S010-7522	ADAPTER, straight - 1/2 tube to 1/2 F.P.T.	1
54	S207-2940-03	CLAMP, tube - 1/2 tube	3
55	S207-2939-03	CUSHION - 1/2 tube	3
56	S207-2940-05	CLAMP, tube - 3/4 tube	2
57	S207-2939-05	CUSHION - 3/4 tube	2
58	S207-3622-01	CLAMP, rubber	6
59	S207-3623	INSERT, mounting - T-nut	12
60	NSS	SCREW, hex hd-1/4-20 x 1 3/4	12
61	S204-8885	GASKET	3
62	NSS	WASHER, lock-1/2	4
63	NSS	SCREW, cap - 1/2 - 20 x 3/4	4
64	S207-6244	PLATE	1
65	S207-7425	COVER	1
66	NSS	WASHER	4
67	NSS	SCREW, cap	4
68	NSS	NUT	4
69	S010-6265	FITTING	1
70	S010-8906	ADAPTOR	3
71	NSS	NUT	1
72	S207-8966	TUBE	1
73	54-3533-11	FITTING	1
74	NSS	NUT	1
75	S207-8968	PLATE	1
76	54-3341-06	FITTING	1
77	NSS	NIPPLE, pipe - 1 1/2" x 4"	1
78	S010-8810	VALVE, gate - 1 1/2" screw	1
79	S010-2455	CLOSURE, plug - push in	1
80	S011-5069	CLOSURE, plug - for 1 1/16" - 14 thd.	1
81	S207-8963-09	TUBE ASSEMBLY, 1/2"	1
82	S207-8962-09	TUBE ASSEMBLY, 3/4"	1
83	S207-8965-09	TUBE ASSEMBLY, 1 1/4"	1

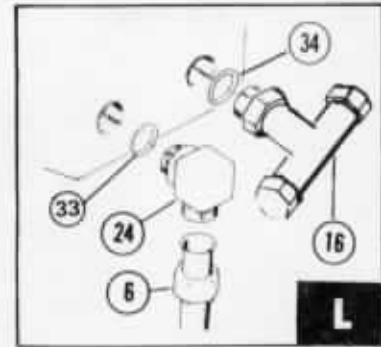
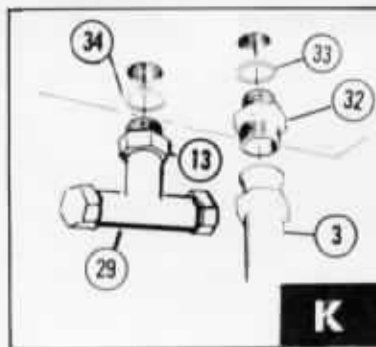
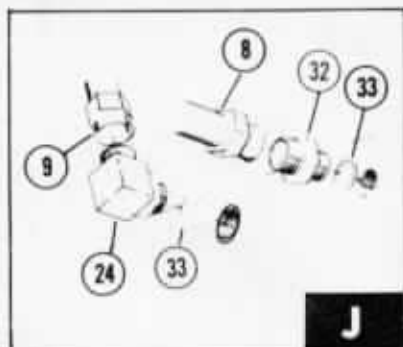
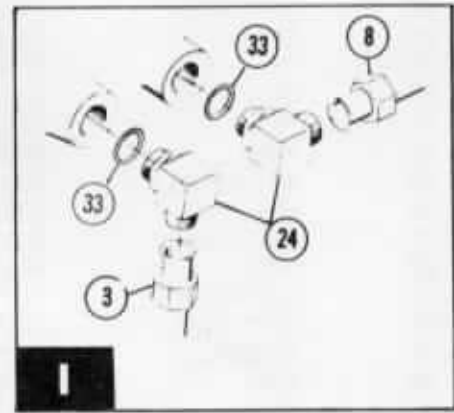
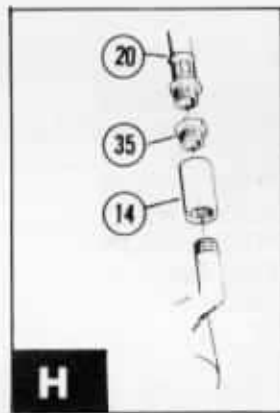
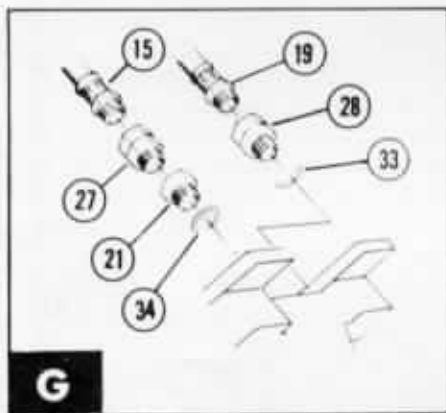
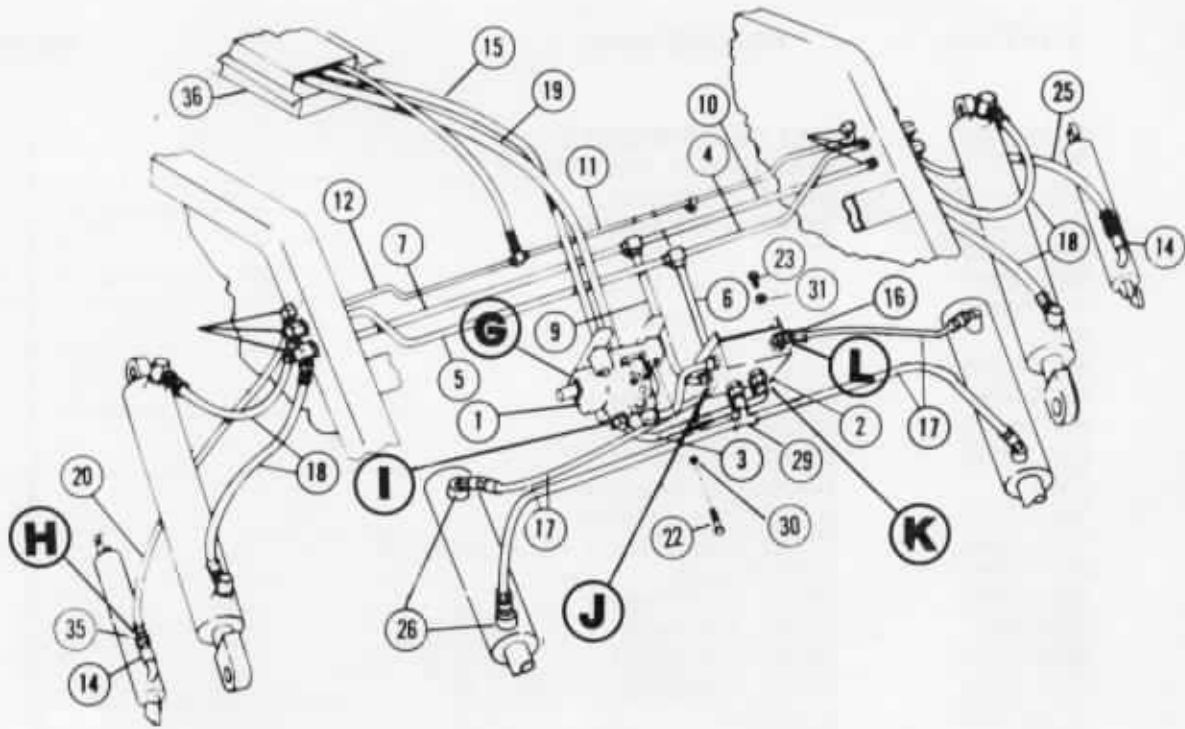
(CONTINUED)



TAILGATE HYDRAULICS

REF.	PART NO.	DESCRIPTION	REQ'D
1	T207-2353	VALVE ASSEMBLY	1
2	T207-2372	MANIFOLD ASSEMBLY	1
3	S207-8944	TUBE ASSEMBLY	1
4	S207-9078	TUBE ASSEMBLY	1
5	S207-9079	TUBE ASSEMBLY	1
6	S207-8947	TUBE ASSEMBLY	1
7	S207-9080	TUBE ASSEMBLY	1
8	NSS	WASHER, lock - 1/2" I.D.	3
9	S207-8950	TUBE ASSEMBLY	1
10	S207-9081	TUBE ASSEMBLY	1
11	S207-9082	TUBE ASSEMBLY	1
12	S207-9083	TUBE ASSEMBLY	1
13	NSS	WASHER, lock 3/8" I.D.	4
14	S207-9441	ADAPTER UNION	2
15	S207-3246	HOSE ASSEMBLY - 3/4" x 46 1/2"	1
16	S207-8888	TEE, branch	1
17	S207-8886	HOSE ASSEMBLY 3/4" x 60"	4
18	S207-9007	HOSE ASSEMBLY 1" x 29 1/2"	4
19	S207-3253	HOSE ASSEMBLY 1" x 47 1/2"	1
20	S207-3254	HOSE ASSEMBLY 1/2" x 48	1
21	54-3533-06	FITTING	2
22	54-3537-06	TEE - 3/8" x 1/2"	1
23	54-3139-10	TEE - 1"	2
24	S011-2931	CLIP	2
25	S207-4925	HOSE	2
26	S010-7790	ADAPTER UNION	4
27	NSS	WASHER, lock - 1/4" I.D.	2
28	NSS	NUT, 1/4" - 20	2
29	54-3533-06	ADAPTER UNION	2
30	S010-7791	ADAPTER UNION	4
31	S010-7435	ADAPTER UNION	1
32	NSS	WASHER, flat	4
33	S010-7527	"O" RING - 1"	19
34	S207-7425	COVER	1
35	54-3533-10	FITTING	2
36	NSS	BOLT, hex - 1/2 - 13 x 2"	3
37	NSS	BOLT, hex - 3/8" - 16 x 3/4"	4
38	S207-8885	TEE, swivel	1

TAILGATE HYDRAULICS (CONT'D.)

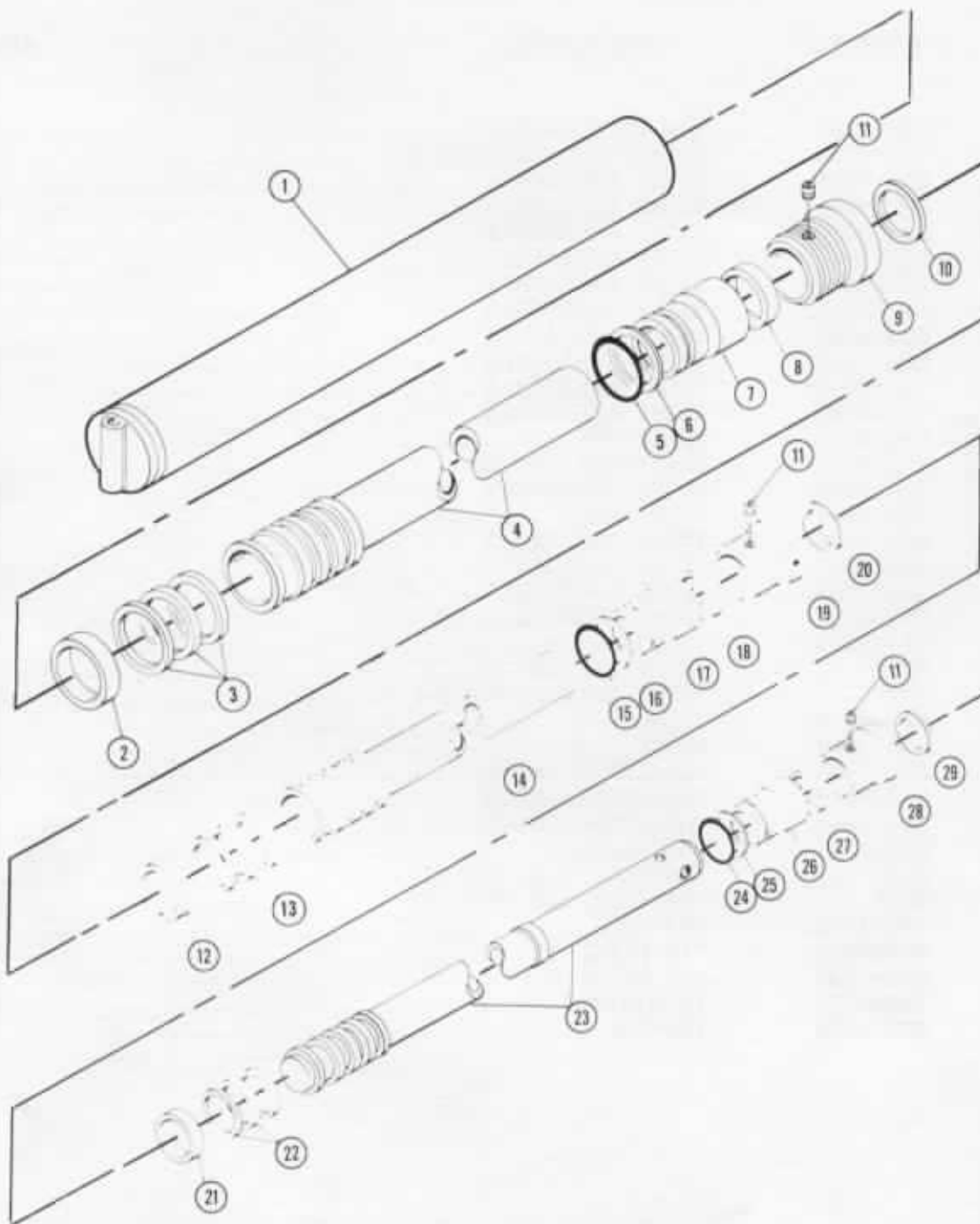




TAILGATE HYDRAULICS (CONT'D.)

REF.	PART NO.	DESCRIPTION	REQ'D
1	T207-2353	VALVE ASSEMBLY	1
2	T207-2372	MANIFOLD ASSEMBLY	1
3	S207-8944	TUBE ASSEMBLY	1
4	S207-9078	TUBE ASSEMBLY	1
5	S207-9079	TUBE ASSEMBLY	1
6	S207-8947	TUBE ASSEMBLY	1
7	S207-9080	TUBE ASSEMBLY	1
8	S207-8949	TUBE ASSEMBLY	1
9	S207-8950	TUBE ASSEMBLY	1
10	S207-9081	TUBE ASSEMBLY	1
11	S207-9082	TUBE ASSEMBLY	1
12	S207-9083	TUBE ASSEMBLY	1
13	S207-8887	ADAPTER	1
14	S207-9441	ADAPTER UNION	2
15	S207-3246	HOSE ASSEMBLY - 3/4" x 46 1/2"	1
16	S207-8888	TEE, branch	1
17	S207-8886	HOSE ASSEMBLY, 3/4" x 60"	4
18	S207-9007	HOSE ASSEMBLY 1" x 29 1/2"	4
19	S207-3253	HOSE ASSEMBLY 1" x 47 1/2"	1
20	S207-3254	HOSE ASSEMBLY 1/2" x 48"	1
21	54-4194-13	FITTING	1
22	NSS	BOLT, hex 1/2" - 13 x 2"	3
23	NSS	BOLT, hex 3/8 - 16 x 3/4	4
24	54-3340-10	ELBOW	4
25	S207-4925	HOSE	2
26	S010-7790	ADAPTER UNION	4
27	74-3059-05	ADAPTER UNION	1
28	S011-5044	ADAPTER UNION	1
29	S207-8885	TEE, swivel	1
30	NSS	WASHER, lock - 1/2" LD.	3
31	NSS	WASHER, lock - 3/8" LD.	1
32	54-3341-10	FITTING	2
33	S010-7527	"O" RING - 1"	19
34	S010-7528	"O" RING - 3/4"	4
35	S010-7435	COUPLING	2
36	S207-7425	COVER	1

EJECTOR CYLINDER

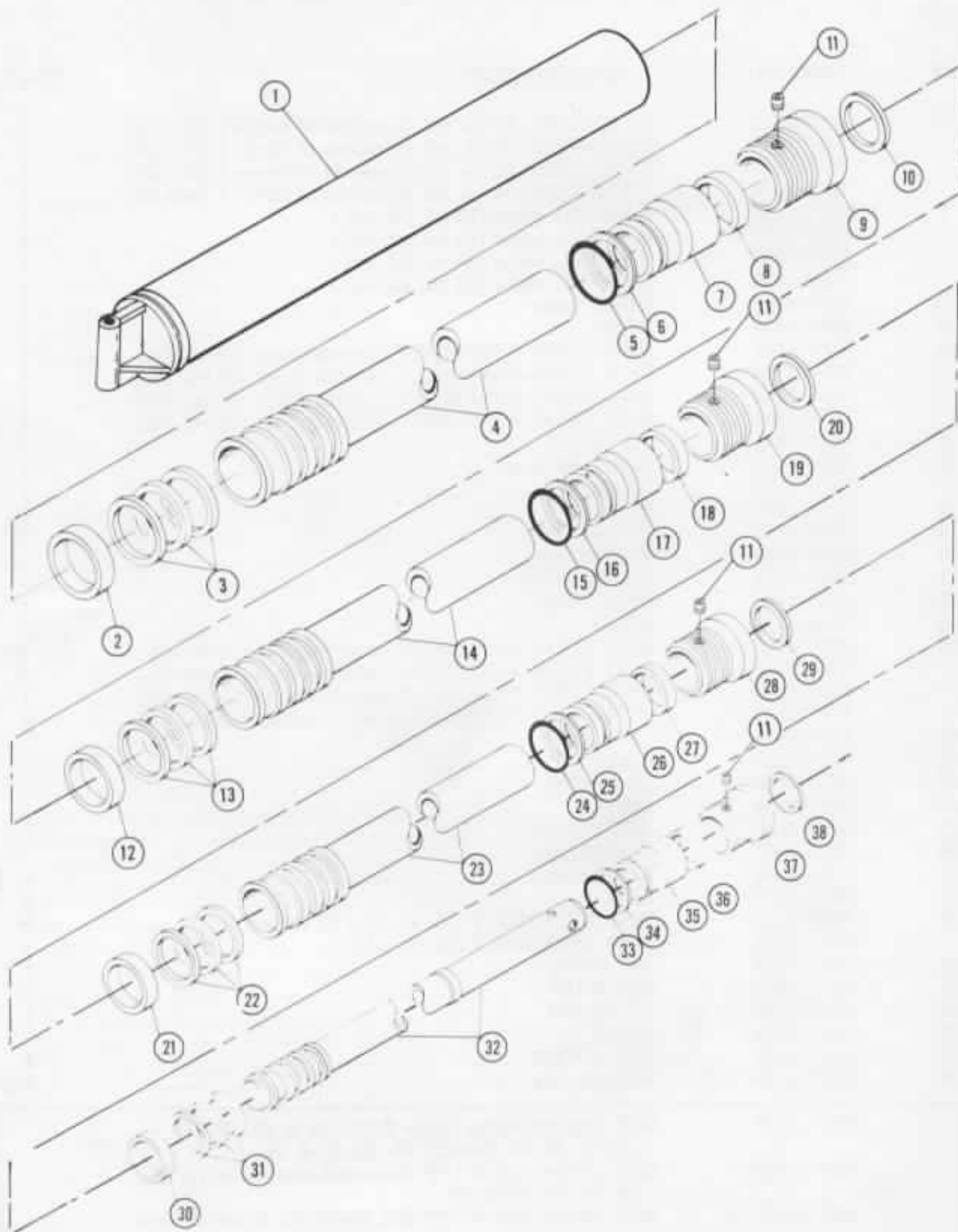




EJECTOR CYLINDER

REF.	PART NO.	DESCRIPTION	REQ'D
-	T207-3612	CYLINDER, 16 cu. yd. (consists of items 1 thru 29)	1
-	T207-3613	CYLINDER, 18 cu. yd. (consists of items 1 thru 29)	1
-	T207-3611	CYLINDER, 20 cu. yd. (consists of items 1 thru 29)	1
-	T207-3614	CYLINDER, 25 cu. yd. (consists of items 1 thru 29)	1
1	S207-4136	BARREL, outer (16 cu. yd. cyl.)	1
	S207-4137	BARREL, outer (18 cu. yd. cyl.)	1
	S207-4138	BARREL, outer (20 cu. yd. cyl.)	1
	S207-4139	BARREL, outer (25 cu. yd. cul.)	1
2	S207-4172	RING, wear	1
3	S207-4175	RING	1
4	S207-4141	ROD TUBE ASSEMBLY, intermediate (16 cu. yd.)	1
	S207-4142	ROD TUBE ASSEMBLY, intermediate (18 cu. yd.)	1
	S207-4143	ROD TUBE ASSEMBLY, intermediate (20 cu. yd.)	1
	S207-4144	ROD TUBE ASSEMBLY, intermediate (25 cu. yd.)	1
5	S010-5931	"O" RING	1
6	S207-4179	RING, back up	1
7	S207-4154	BEARING	1
8	S207-4163	RING	1
9	S207-4157	RETAINER	1
10	S207-4166	WIPER, felt	1
11	S207-4171	PLUG, nylon	3
12	S207-4173	RING, wear	1
13	S207-4176	RING	3
14	S207-4145	ROD TUBE ASSEMBLY, intermediate (16 cu. yd.)	1
	S207-4146	ROD TUBE ASSEMBLY, intermediate (18 cu. yd.)	1
	S207-4147	ROD TUBE ASSEMBLY, intermediate (20 cu. yd.)	1
	S207-4148	ROD TUBE ASSEMBLY, intermediate (25 cu. yd.)	1
15	S010-6877	"O" RING	1
16	S207-4228	BACK UP	1
17	S207-4155	BEARING	1
18	S207-4164	RING	1
19	S207-4158	RETAINER	1
20	S207-4167	WIPER, felt	1
21	S207-4174	RING, wear	1
22	S207-4177	RING	1
23	S207-4152	ROD ASSEMBLY (16, 18, and 20 cu. yd.)	1
	S207-4153	ROD ASSEMBLY (25 cu. yd.)	1
24	S010-5000	"O" RING	1
25	S207-4162	BACK UP	1
26	S207-4156	BEARING	1
27	S207-4165	RING	1
28	S207-4159	RETAINER	1
29	S207-4168	WIPER, felt	1
-	S207-4169	KIT, seal (includes items 2, 3, 5, 6, 8, 10, 12, 13, 15, 16, 18, 20 thru 22, 24, 25, 27 & 29)	
-	S207-7222	KIT, sleeve seal, 3 1/2" dia. (includes items 11, 21, 22, 24, 25, 27 & 29)	
-	S207-7223	KIT, sleeve seal, 4 1/2" dia. (includes items 11 thru 13, 15, 16, 18 and 20)	
-	S207-7224	KIT, sleeve seal, 5 1/2" dia. (includes items 2, 3, 5, 6, 8, 10 and 11)	A/R

EJECTOR CYLINDER (32 CU. YD. ONLY)

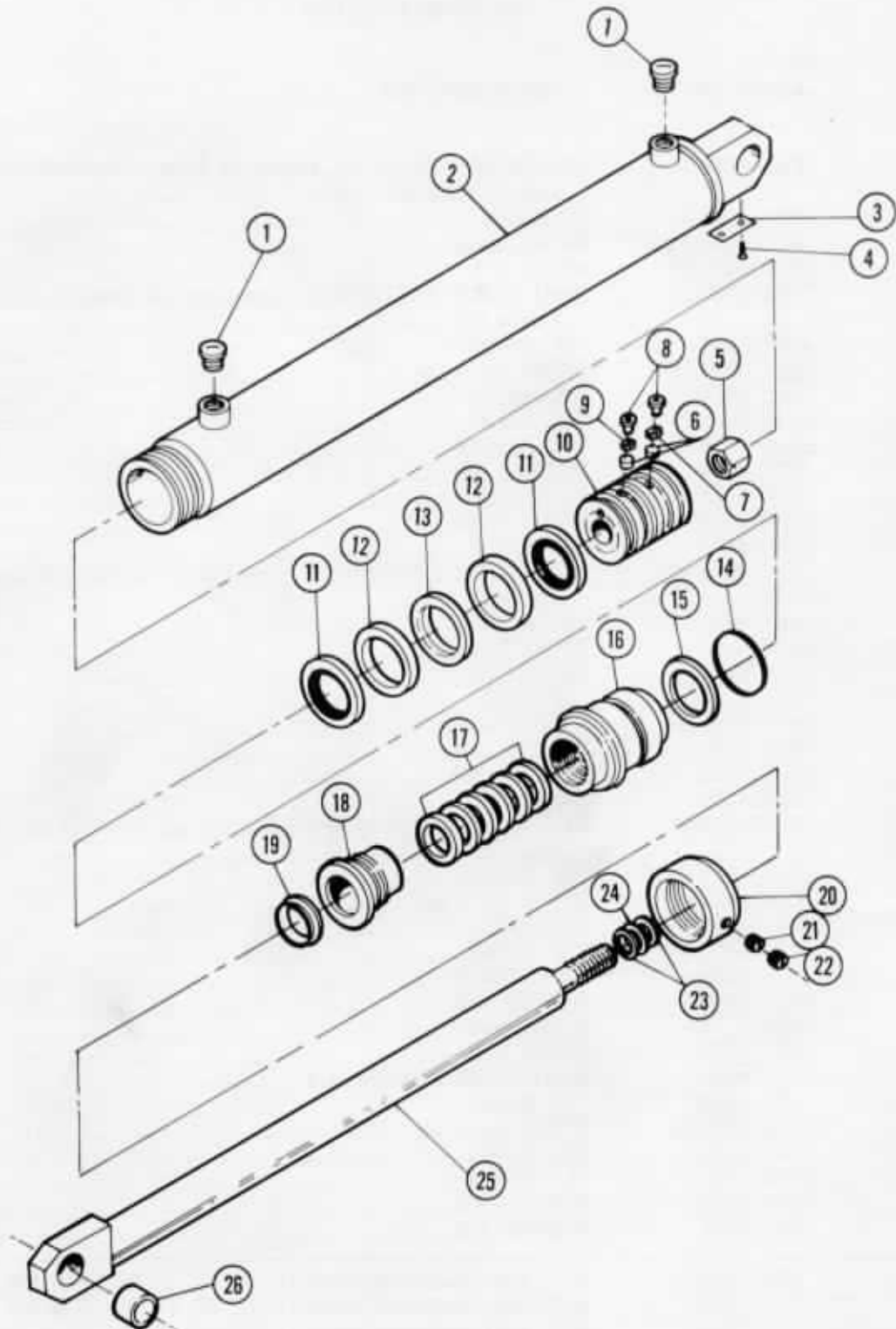




**EJECTOR CYLINDER
32 CUBIT YARD**

REF.	PART NO.	DESCRIPTION	REQ'D
-	T207-9064	CYLINDER, 32 cu. yd. FORMULA 5000 - (consists of items 1 thru 38)	1
1	S207-9064-35	BARREL	1
2	S207-9064-02	RING, wear	1
3	S207-9064-06	RING, C.I.	3
4	T207-9064-36	ROD TUBE ASSEMBLY - (consists of items 2, 3, and 5 thru 11)	1
5	S010-5896	"O" RING	1
6	S207-9064-16	RING, back up	1
7	S207-9064-27	BEARING	1
8	S207-9064-11	"U" RING	1
9	S207-9064-28	RETAINER	1
10	S207-9064-23	WIPER, felt	1
11	S207-4171	PLUG, nylon	4
12	S207-4172	RING, wear	1
13	S207-4175	RING, C.I.	3
14	T207-9064-37	ROD TUBE ASSEMBLY (consists of items 11 thru 13 & 15 thru 20)	1
15	S010-5931	"O" RING	1
16	S207-4179	RING, back up	1
17	S207-4154	BEARING	1
18	S207-4163	"U" RING	1
19	S207-9064-30	RETAINING	1
20	S207-4166	WIPER, felt	1
21	S207-4173	RING, wear	1
22	S207-4176	RING, C.I.	3
23	T207-9046-38	ROD TUBE ASSEMBLY (consists of items 11, 21, 23 and 24 thru 29)	1
24	S010-6877	"O" RING	1
25	S207-4228	RING, back up	1
26	S207-4151	BEARING	1
27	S207-4164	"U" RING	1
28	S207-4158	RETAINER	1
29	S207-4167	WIPER, felt	1
30	S207-4174	RING, wear	1
31	S207-4177	RING, C.I.	3
32	T207-9064	ROD TUBE ASSEMBLY	1
33	S010-5000	"O" RING	1
34	S207-9064-23	RING, back up	1
35	S207-4156	BEARING	1
36	S207-4165	"U" RING	1
37	S207-4159	RETAINER	1
38	S207-4168	WIPER, felt	1
-	S207-7222	KIT, seal (includes items 11, 30, 31, 33, 34, 36 & 39)	
-	S207-7223	KIT, seal (includes items 11, 21, 22, 24, 25, 27 & 29)	
-	S207-7224	KIT, seal (includes items 11 thru 13, 15, 16, 18 & 20)	
-	S207-9064-01	KIT, seal (includes items 2, 3, 5, 6, 8, 10 & 11)	A/R

INSIDE PACKING CYLINDER



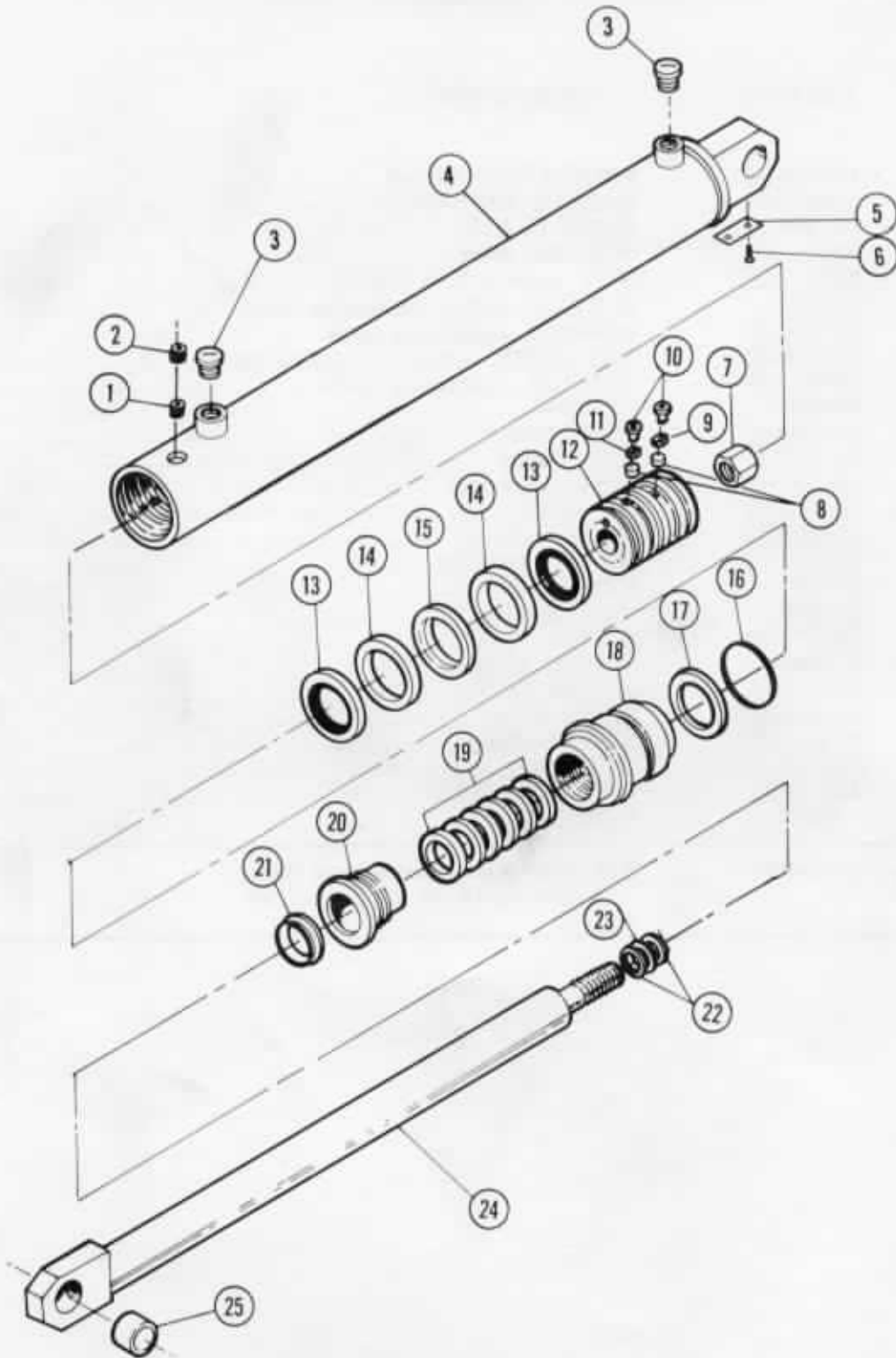


INSIDE CYLINDER
A001-40 94

REF.	PART NO.	DESCRIPTION	REQ'D
1	42-0685-02	PROTECTOR, thread	2
2	A085-0154	BARREL ASSEMBLY	1
3	34-7487	NAME PLATE	1
4	NSS	SCREWS, drive	2
5	NSS	NUT, hex-1 1/2 - 6 U.N.C.	1
6	18-0612	SLEEVE, orifice, cushioning mech.	2
7	25-0451-06	ORIFICE, cushioning mech.	1
8	47-1792-02	RETAINER, orifice, cushioning mech.	2
9	25-0451-05	ORIFICE, cushioning mech.	1
10	24-0699	PISTON	1
11	26-4203-02	RING, piston	2
12	26-3979-09	RING, wear	2
13	26-4151	RING, solid seal	1
14	26-2608-39	"O"-RING	1
15	26-3912-39	RING, back-up	1
16	23-0644	GLAND, packing	1
17	26-4201	V-PACKING	1
18	23-0646	NUT, packing	1
19	26-3977-09	WIPER	1
20	23-0545	GLAND, packing	1
21	NSS	SCREW, set-3/8 - 16 N.C.	1
22	47-0685-02	PLUG, nylon	1
23	26-4186-26	RING, back-up	2
24	26-2156-26	"O"-RING	1
25	A027-4121	ROD ASSEMBLY	1
26	3-3587	BUSHING	1

-	K272-0949	KIT, soft goods - (consists of items 11 thru 15, 17, 19, 23, 24 and 26)	A/R
---	-----------	--	-----

OUTSIDE CYLINDER ASSEMBLY

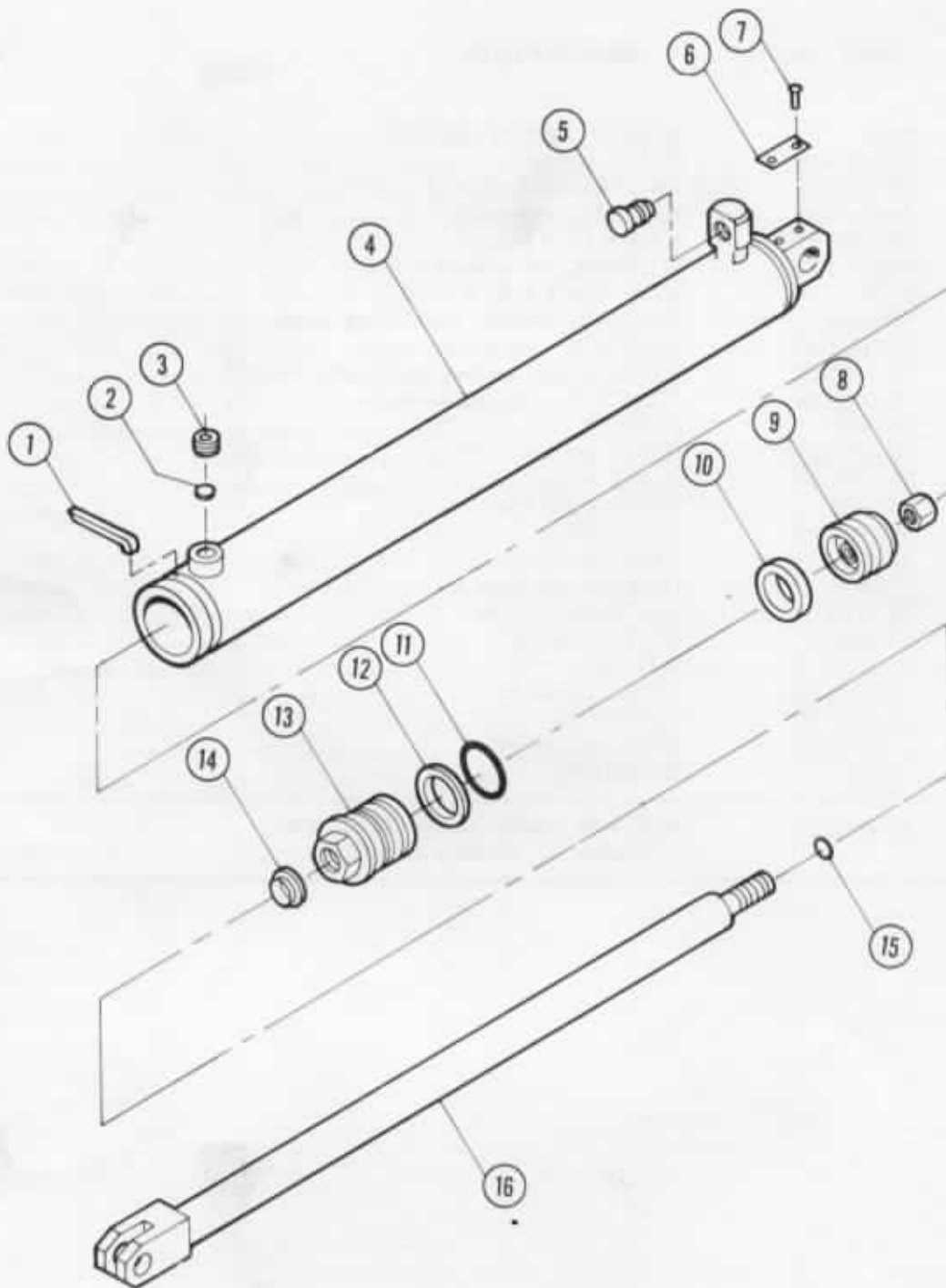




OUTSIDE CYLINDER
A001-4093

REF.	PART NO.	DESCRIPTION	REQ'D
1	NSS	SCREW, set-3/8 - 16 N.C.	1
2	47-0685-02	PLUG, nylon	1
3	42-0685-02	PROTECTOR, thread	2
4	A085-0155	BARREL, assembly	1
5	34-7487	NAME PLATE	1
6	NSS	SCREWS, drive-no. 4 x 1/4	2
7	NSS	NUT, hex-1 1/2 - 6 U.N.C.	1
8	18-0612	SLEEVE, orifice, cushioning mech.	2
9	25-0451-06	ORIFICE, cushioning mech.	1
10	47-1792-02	RETAINER, orifice, cushioning mech.	2
11	25-0451-05	ORIFICE, cushioning mech.	1
12	24-0699	PISTON	1
13	26-4203-02	RING, piston	2
14	26-3979-09	RING, wear	2
15	26-4151	RING, solid seal	1
16	26-2608-39	"O"-RING	1
17	26-3912-39	RING, back-up	1
18	23-0648	GLAND, packing	1
19	26-4194	PACKING, V-set	1
20	23-0649	NUT, packing	1
21	26-3977-10	WIPER	1
22	26-4186-26	RING, back-up	1
23	26-2156-26	"O"-RING	1
24	A027-4123	ROD, assembly	1
25	3-3588	BUSHING	1
-	K272-0948	KIT, soft goods - (consists of items 13 thru 17, 19 thru 23 and 25)	A/R

TAILGATE LIFT CYLINDER





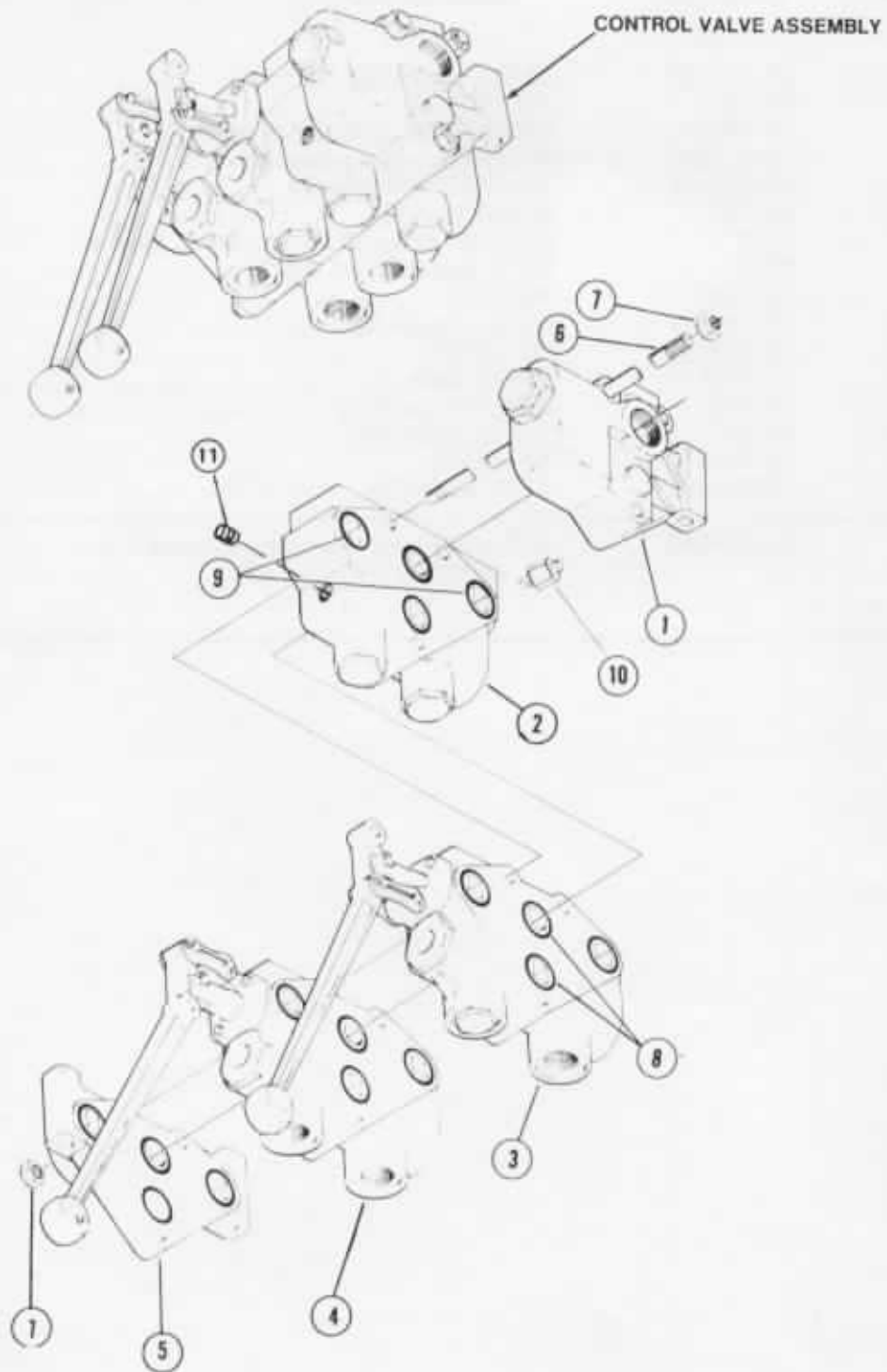
TAILGATE CYLINDER

A001 - 4092

REF.	PART NO.	DESCRIPTION	REQ'D
1	26-4155-06	RING, retaining	1
2	60-0416	FILTER, air	1
3	47-1792-01	RETAINER, orifice-3/8 n.p.t.	1
4	A085-0153	BARREL, outer assembly	1
5	42-0685-11	PROTECTOR, thread	1
6	34-7487	NAMEPLATE	1
7	NSS	SCREW, drive NO. 4 x 1/4 p.k. type u.	2
8	NSS	NUT, hex-7/8 - 14 n.f.	1
9	24-0698	PISTON	1
10	26-3918-07	SEAL, single lip	1
11	26-2608-23	"O"-RING	1
12	26-3912-23	RING, back-up	1
13	23-0643	GLAND, packing	1
14	26-3977-18	RING, exclusion	1
15	26-2156-16	"O" RING	1
16	A027-3881	ROD, assembly	1

K272-0946	KIT, soft goods - (consists of items 1, 2, 10 thru 12, 14 and 15)	A/R
-----------	--	-----

CONTROL VALVE ASSEMBLY

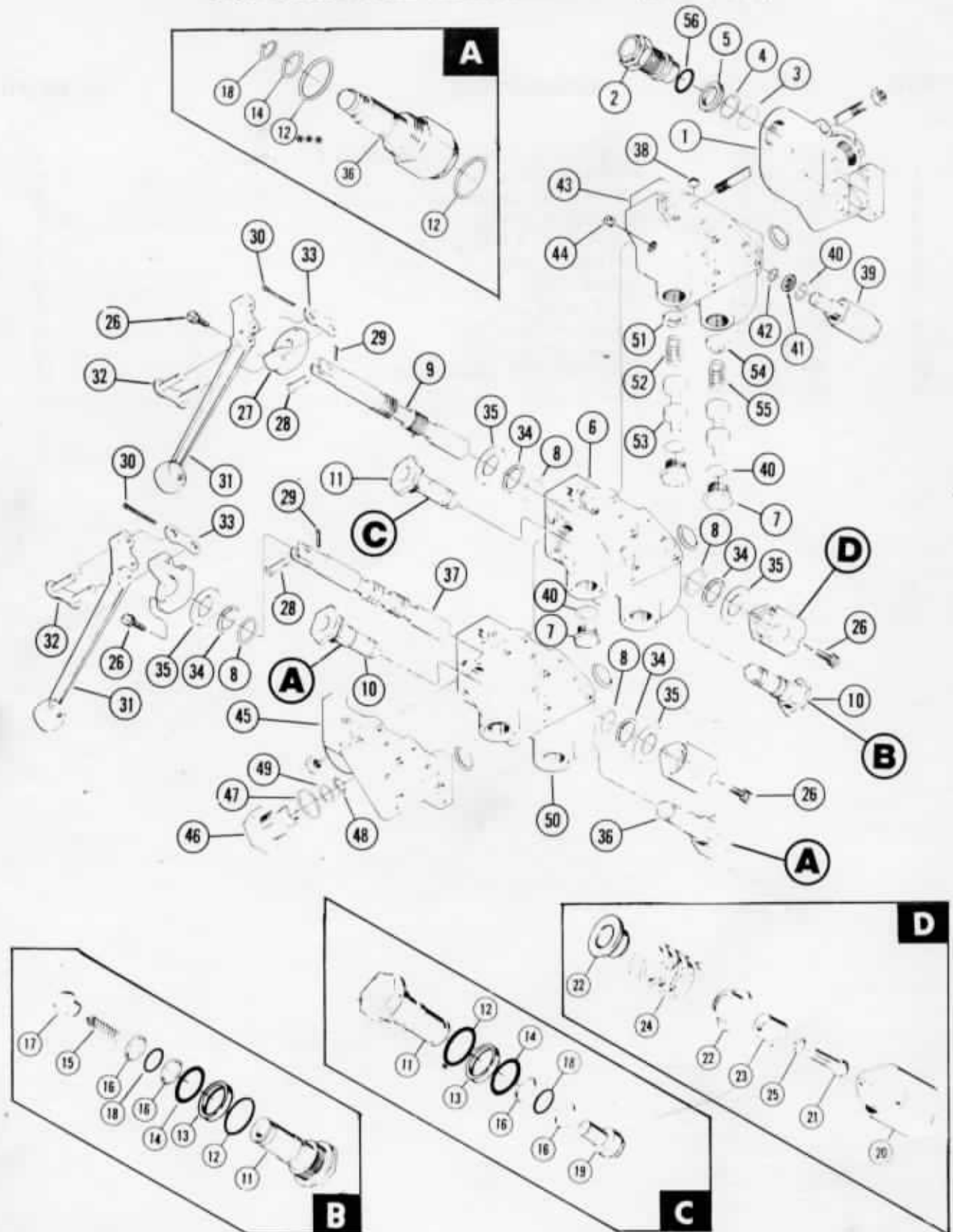




CONTROL VALVE ASS'Y

REF.	PART NO.	DESCRIPTION	REQ'D
-	T207-4656	CONTROL VALVE ASSEMBLY	1
1	S207-6099	COVER, left	1
2	S207-6171	SECTION, unloading	1
3	S207-6028	SECTION, 3 way	1
4	S207-6047	SECTION, 4 way	1
5	S207-6023	COVER, right	1
6	S207-6142	BOLT - TIE	3
7	S207-5556	NUT, stud	6
8	S010-7596	SEAL, section 70D	8
9	S010-7598	SEAL, section 70D	8
10	S207-6172	CARTRIDGE, pilot relief	11
11	S010-7540	PLUG, pipe	1

CONTROL VALVE ASSEMBLY (CONT'D.)



(CONTINUED)

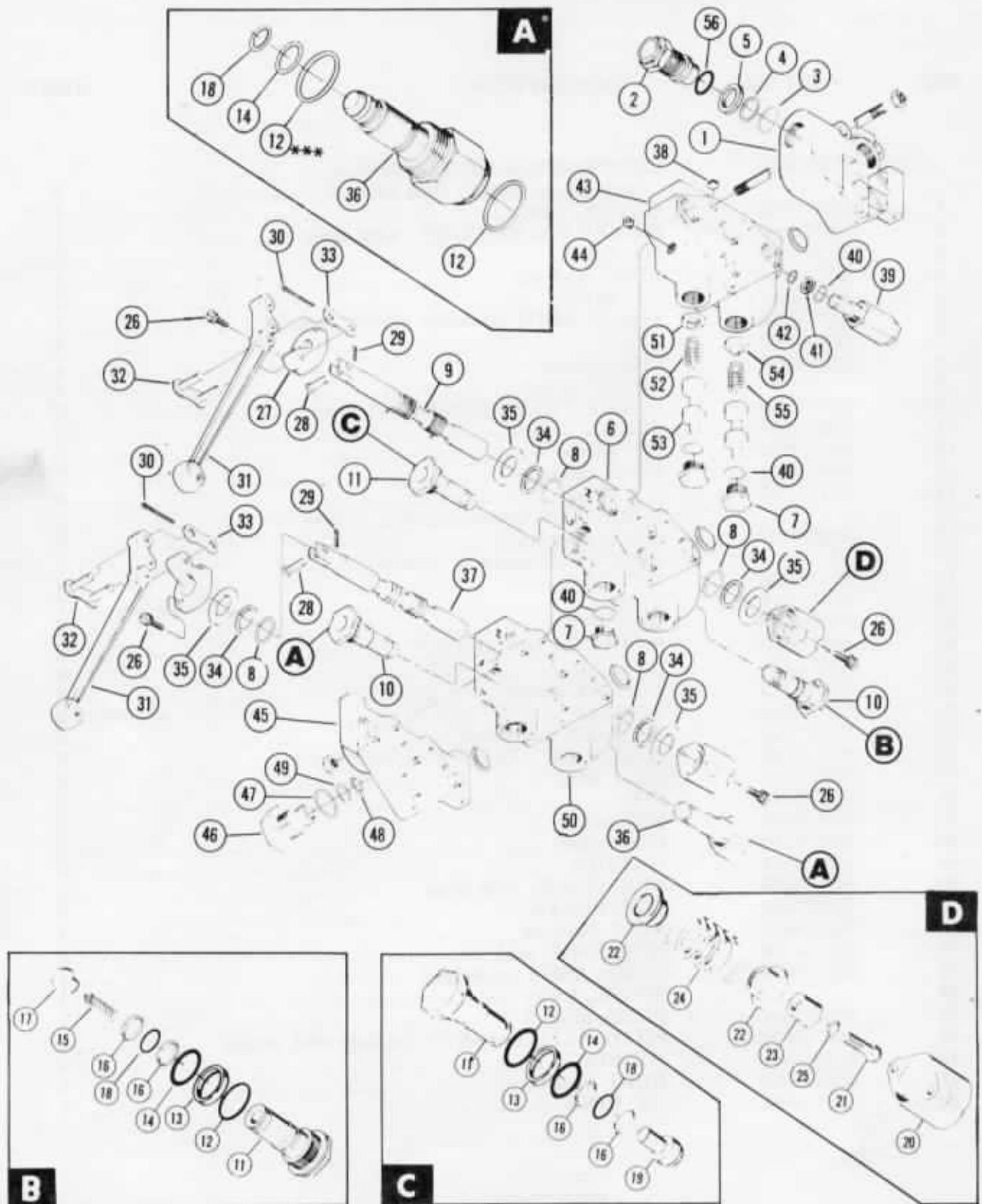


CONTROL VALVE ASSEMBLY (CONT'D)

REF.	PART NO.	DESCRIPTION	REQ'D
	T207-4656	CONTROL VALVE ASSEMBLY (consists of items 1 thru 56)	1
1	S207-6108	COVER, inlet	1
2	S207-6100	RELIEF VALVE COMP., with seals	1
3	S011-5093	"O" RING	1
4	S207-6110	RING, back-up	1
5	S011-5094	"O" RING	1
6	S207-6028	VALVE BODY HONED ASS'Y (complete)	1
7	S010-7558	PLUG	3
8	S207-6030	SEAL, spool	4
9		SPOOL, 3 way	1
10	S207-7974	CHECK VALVE COMP., with seals	2
11	S207-5529	PLUG	2
12	S010-7572	"O" RING	5
13	S207-5521	RING, back-up	4
14	S010-7593	"O" RING	4
15		SPRING, lift check (included in item 10)	1
16	S207-5527	RING, back-up	8
17		POPPET (included in item 10)	1
18	S011-5086	"O" RING	4
19	S207-5548	PLUG	1
20	S207-5533	BONNET	2
21	S011-5333	SCREW - 5/16" - 18 x 3/4"	2
22	S207-5534	COLLAR	4
23	S207-5535	COLLAR, spool	3
24	S207-5536	SPRING	2
25	S010-7103	WASHER, lock 5/16"	2
26	S010-4896	SCREW 1/4" - 20 x 7/8" w/lockwasher	8
27	S207-5540	BRACKET	2
28	S207-5544	PIN	2
29	S207-5543	PIN, cotter	2
30	S010-6160	PIN, cotter	2
31	S207-5541	HANDLE	2
32	S207-5539	SIDE PLATE, with pins	2
33	S207-5538	SIDE PLATE	2
34	S207-6034	RING, back-up	4
35	S207-6035	RETAINER, seal	4
36	S207-6059	COMP. ASS'Y (complete)	1
37		SPOOL, 4-way	1
38	S010-7541	PLUG, pipe - 3/8"	1
39	S207-6172	PILOT RELIEF ASS'Y (complete with seals)	1
40	S010-7559	"O" RING	4
41	S207-6082	RING, back-up	1
42	S010-4894	"O" RING	1

(CONTINUED)

CONTROL VALVE ASSEMBLY (CONT'D)

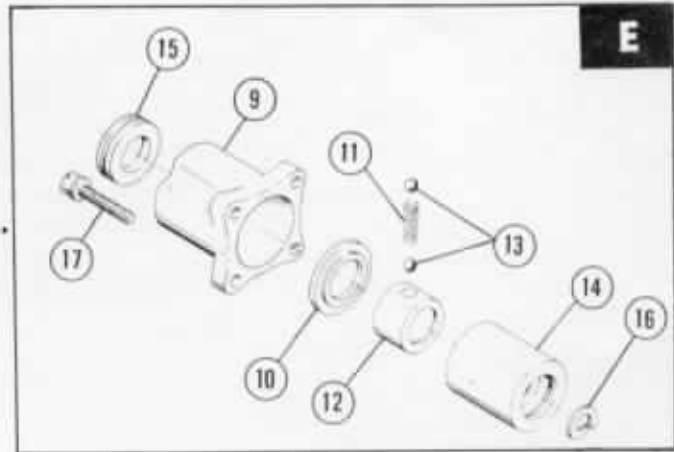
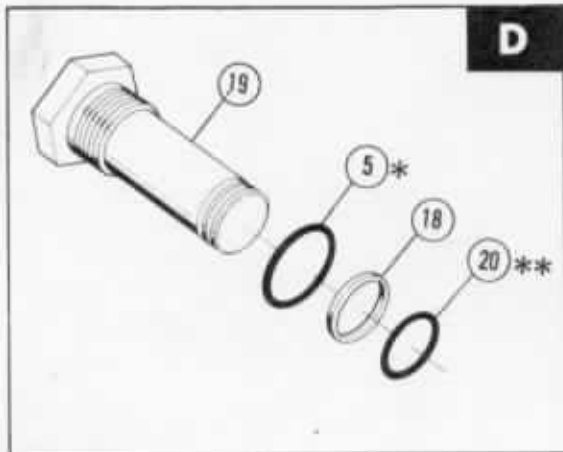
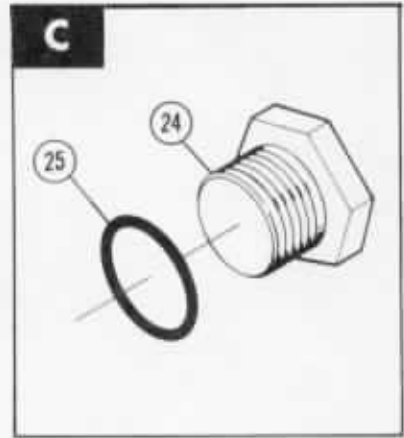
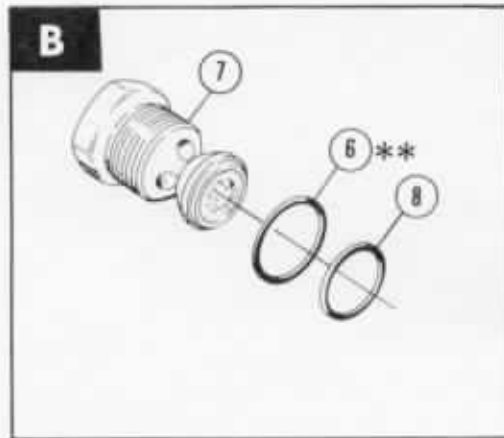
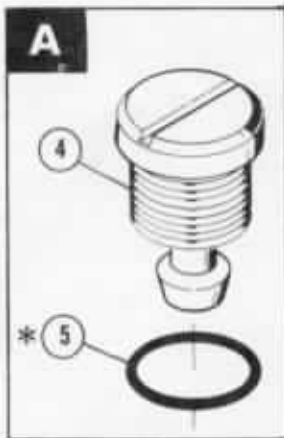
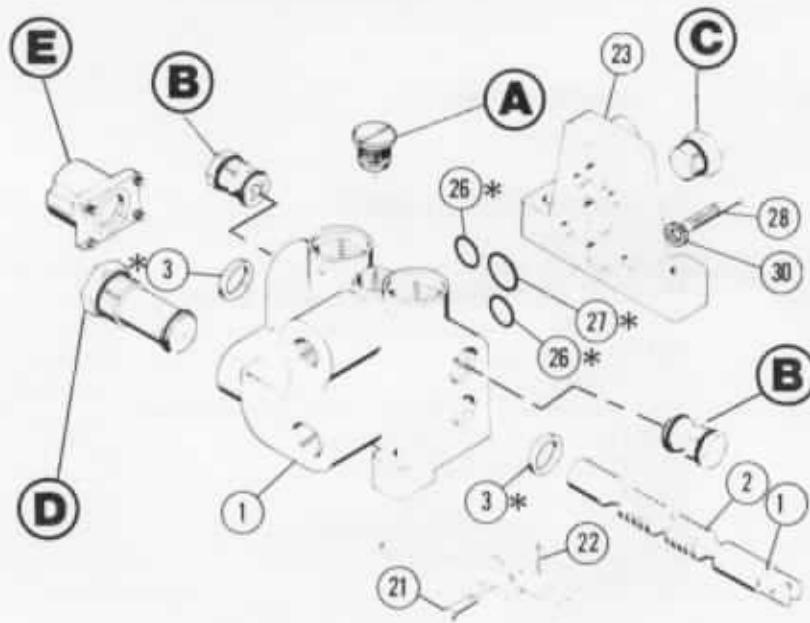




CONTROL VALVE ASSEMBLY (CONT'D.)

REF.	PART NO.	DESCRIPTION	REQ'D
43	S207-6080	HOUSING HONED ASS'Y	1
44	S010-7540	PLUG, pipe 1/4"	1
45	S207-5510	HOUSING, outlet	1
46	S207-6024	POWER BEYOND COMP., with seals	1
47	S010-7573	"O" RING	1
48	S207-5513	RING, back-up	1
49	S011-5088	"O" RING	1
50	S207-6047	VALVE BODY HONED ASS'Y (complete)	1
51	S207-6085	SPRING RETAINER (silver)	1
52	S207-6084	SPRING - RELIEF (silver)	1
53		SPOOL	2
54	S207-6528	SPRING - RETAINER (black)	1
55	S207-6531	SPRING - UNLOADING (black)	1
56	S010-7572	"O" RING	1

TAILGATE CONTROL VALVE

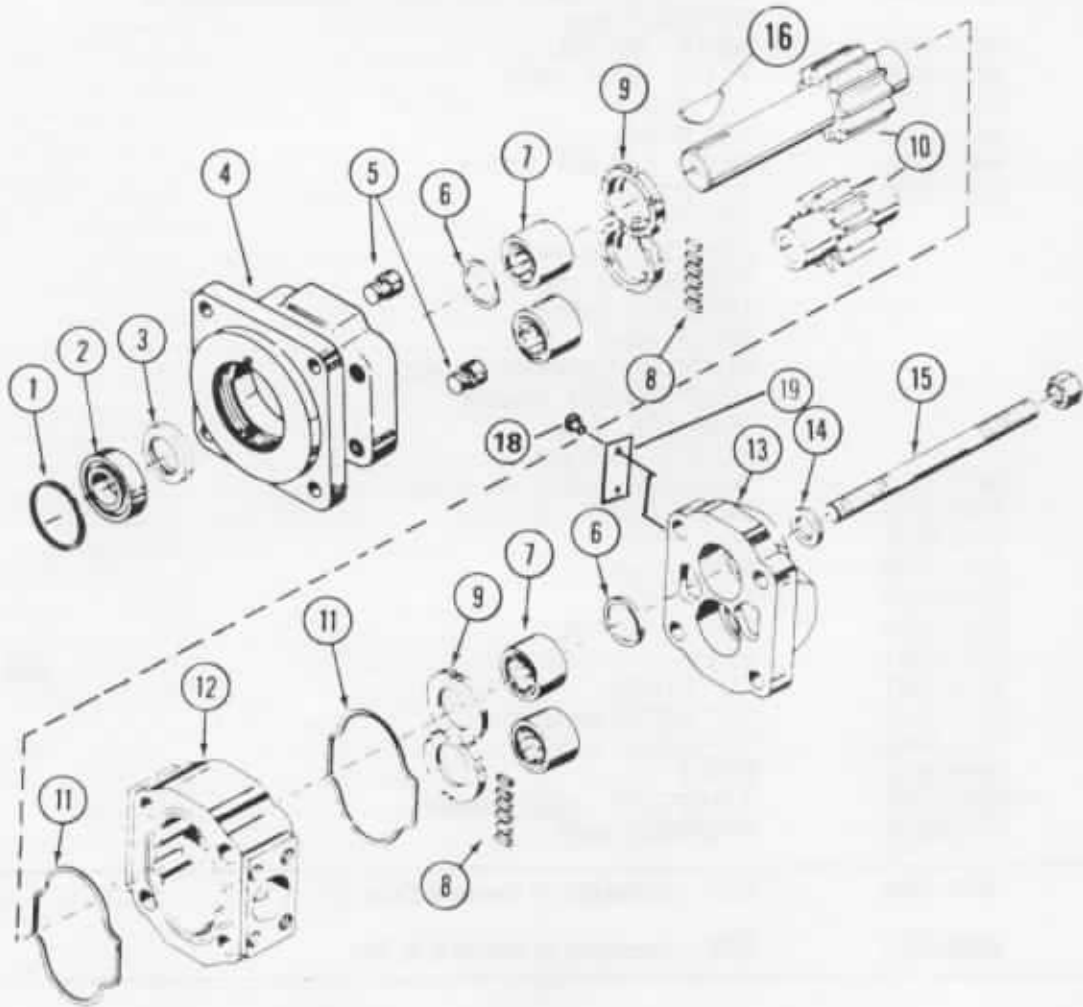




TAILGATE CONTROL VALVE

REF.	PART NO.	DESCRIPTION	REQ'D
-	T207-2353	VALVE, tailgate control - (consists of items 1 thru 30)	1
1	T207-5564	HOUSING ASS'Y, end inlet - (includes item 2)	1
2		SPOOL, 4 way	1
3	S207-5566	SEAL - SPOOL	2
4	S207-5602	PLUG, check ass'y	1
5	S010-7573	"O" RING	2
6	S011-5094	"O" RING	1
7	S207-5598	BODY RELIEF ASS'Y	1
8	S011-5093	"O" RING	1
9	-	BONNET	1
10	-	SPACER, detent	1
11	-	SPRING, detent	1
12	-	DETENT, holder	1
13	-	BALL, steel	2
14	-	SLEEVE, 3-position detent	1
15	-	DIAPHRAGM, bonnet	1
16	-	WASHER, lock	2
17	-	SCREW, lock fill	4
18	S010-8952	WASHER, teflon, back up	1
19	S207-5586	PLUG ASS'Y, no relief	1
20	S011-5091	"O" RING	1
21	S207-5588	PIN, handle	1
22	S207-5589	PIN, cotter	1
23	S207-5590	SECTION, left	1
24	S207-5591	PLUG, conversion	1
25	S010-7527	"O" RING	1
26	S011-5092	"O" RING, section	2
27	S011-5095	"O" RING, section	1
28	S010-2582	BOLT	4
29	S207-5597	ADAPTOR, valve handle	1
30	S010-2759	WASHER, lock	4
-	S207-5604	KIT - (consists of items 9 thru 17)	AR
-	S207-5605	KIT - (consists of items 6 & 20)	AR

26 GPM CAST IRON BI-ROTATION





26 CPM CAST IRON BI-ROTATION

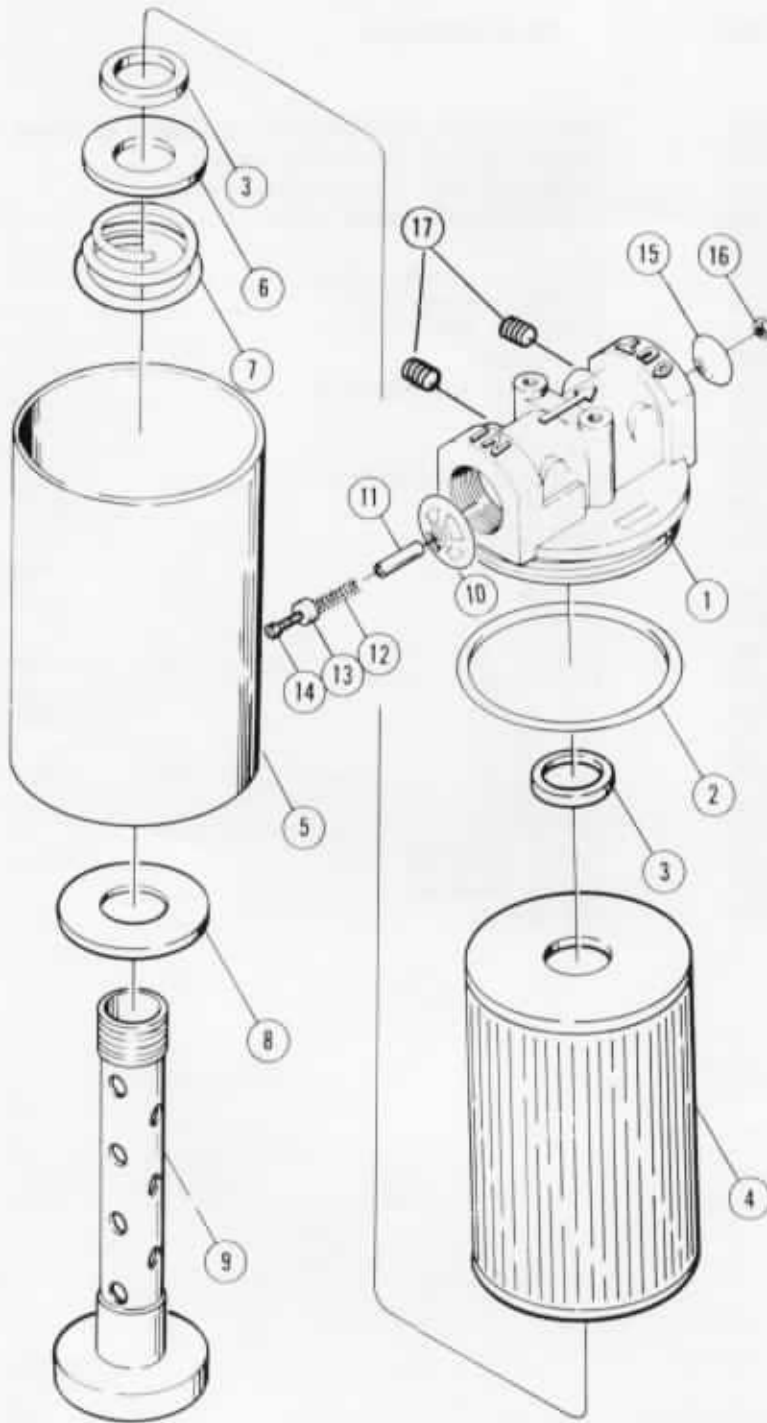
REF.	PART NO.	DESCRIPTION	REQ'D
	T207-9310	26 CPM CAST IRON BI-ROTATION (consists of items 1 thru 16)	1
1	S207-9317	RING, snap	1
2	S207-9316	BEARING, outboard	1
3	S207-9104	SEAL, lip	1
4	S207-9311	COVER, shaft end	1
5	S207-9106	CHECK ASS'Y	2
6	S207-9102	SEAL, ring	2
7	S207-9103	BEARING, roller	4
8	S207-9105	SEAL, pocket	12
9	S207-9314	PLATE, thrust	2
10	S207-9315	DRIVE SHAFT AND GEAR SET	1
11	S207-9111	SEAL, gasket	2
12	S207-9313	HOUSING, gear	1
13	S207-9312	COVER, port end	1
14	NSS	WASHERS	4
15	NSS	SCREW, cap	4
16	NSS	KEY	1
17	S010-8455	NAME PLATE	1
18	NSS	SCREW, drive	2



MANIFOLD ASSEMBLY

REF.	PART NO.	DESCRIPTION	REQ'D
	T207-2372	MANIFOLD ASSEMBLY - (consists of items 1 thru 28) ...	1
1	S207-4238	CARTRIDGE, unloading valve	1
2	S207-4239	CARTRIDGE, regeneration valve	1
3	S207-4240	CARTRIDGE, relief valve	1
4	S010-7574	"O" RING	2
5	S207-4242	SPRING, check valve	2
6	S207-4243	HONED ASSEMBLY	1
7	S207-4244	PISTON ASSEMBLY	1
8	S011-5093	"O" RING	2
9	S207-4246	SLEEVE ASSEMBLY	1
10	S010-5379	"O" RING	2
11	S011-5129	"O" RING	1
12	S207-4249	HONED ASSEMBLY	1
13	S011-5130	"O" RING	1
14	S207-4251	SPRING	1
15		POPPET	1
16	S207-5386	PLUG	1
17	S207-5387	PLUG	2
18	S010-0026	PLUG, pipe - 1/8"	3
19	S010-0029	PLUG, pipe - 1/4"	4
20	S010-7624	"O" RING	1
21	S010-5503	"O" RING	1
22	S011-5087	"O" RING	1
23	S207-4241	GASKET	2
24	S010-7559	"O" RING	1
25	S207-4245	RING, back-up	2
26	S207-4248	RING, back-up	2
27	S207-4250	"O" RING	1

OIL FILTER ASSEMBLY

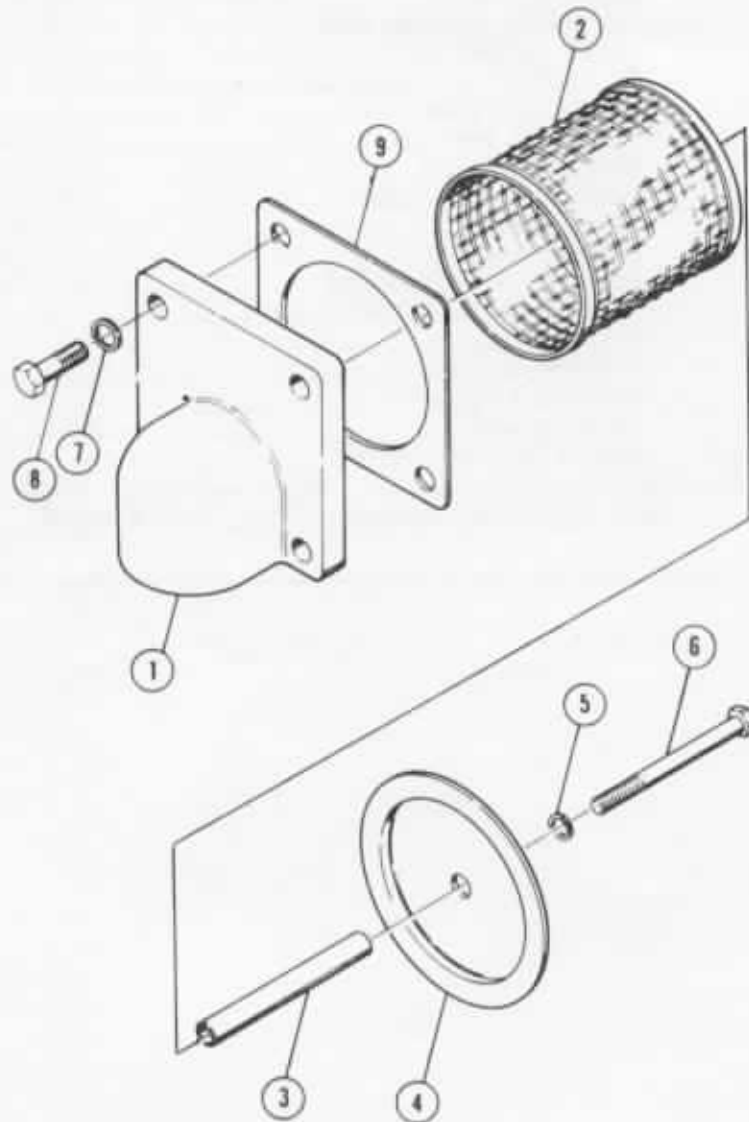




OIL FILTER ASSEMBLY

REF.	PART NO.	DESCRIPTION	REQ'D
-	T207-2439	OIL FILTER ASSEMBLY (consists of items 1, 5 thru 7, 9 thru 17)	1
1	S207-5388	CASTING, head	1
2	-	"O" RING, housing seal	1
3	-	SEAL, rubber	2
4	-	ELEMENT	1
5	S207-5390	HOUSING, filter	1
6	S207-5408	WASHER, back-up	1
7	S207-5391	SPRING, conical	1
8	-	GASKET, center post	1
9	S207-5389	POST, center	1
10	S207-5394	GUIDE, by-pass	1
11	S207-5393	SPACER, by-pass valve	1
12	S207-5392	SPRING, by-pass (15 P.S.I.)	1
13	S207-5396	CAP, by-pass	1
14	S207-5397	SCREW, by-pass	1
15	S207-5395	VALVE, by-pass	1
16	S207-5398	NUT, by-pass	1
17	S010-0001	PLUG, pipe 1/8" NPTF	2
-	S207-4799	KIT, soft goods - (consists of items 2, 3, 4, and 8)	A/R

OIL STRAINER ASSEMBLY

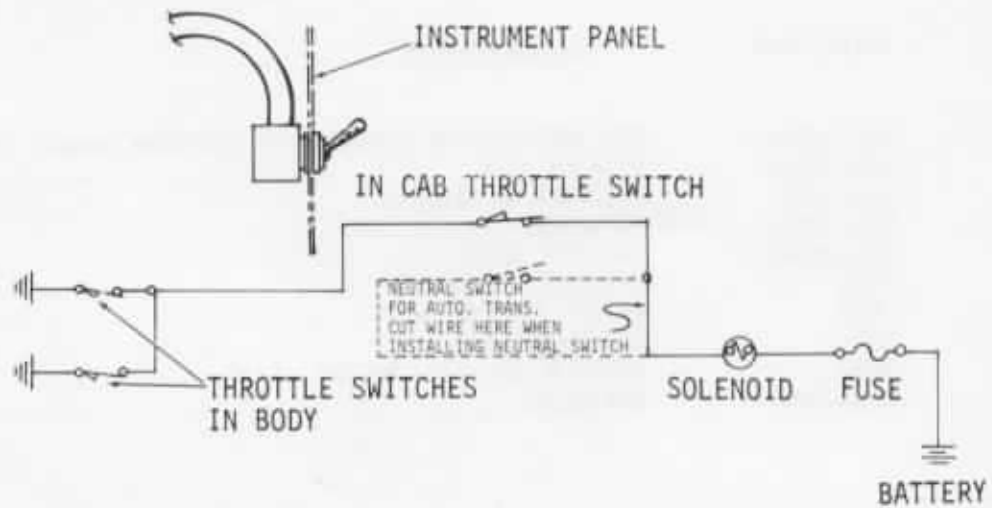




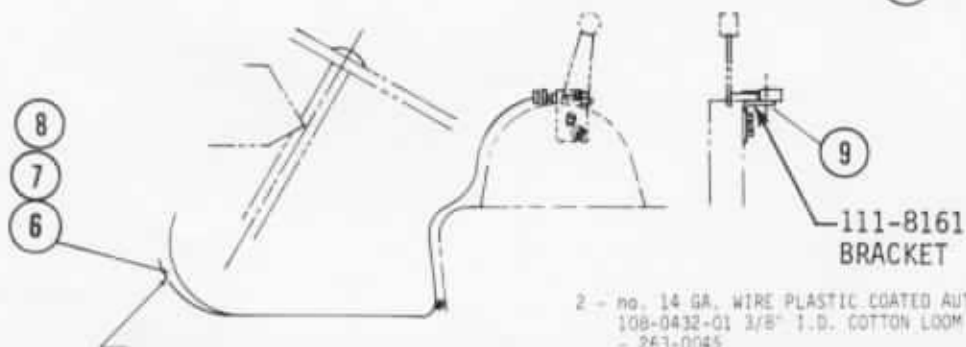
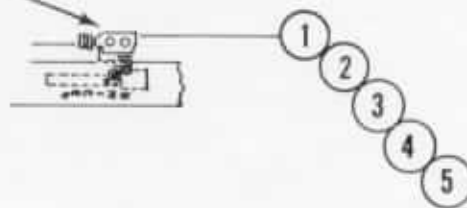
OIL STRAINER ASSEMBLY

REF.	PART NO.	DESCRIPTION	REQ'D
-	T207-3645	OIL STRAINER ASSEMBLY (includes items 1 thru 6)	1
1	S207-3644	PLATE, end	1
2	S204-8887	FILTER, oil element	1
3	S204-8890	SPACER	1
4	S204-8891	COVER, filter	1
5	NSS	WASHER, lock 3/8"	1
6	NSS	BOLT, 3/8 - 26" x 5"	1
7	NSS	WASHER, lock 1/2"	4
8	NSS	SCREW, cap-1/2 - 20" x 1 - 1/4"	4
9	S204-8885	GASKET	1

CAB AND ENGINE WIRING



- 108-1595 LIMIT SWITCH
 2- RD. HD. MACH. SCREWS
 NO. 8-32 NC x 1 1/2
 2- HEX NUT, no. 8-32 NC.
 2- LOCKWASHER, no. 8
 108-1759-08 CORD GRIP



- 2 - no. 14 GA. WIRE PLASTIC COATED AUTO - 6FT
 108-0432-01 3/8" I.D. COTTON LOOM - 6 FT.
 - 263-0045

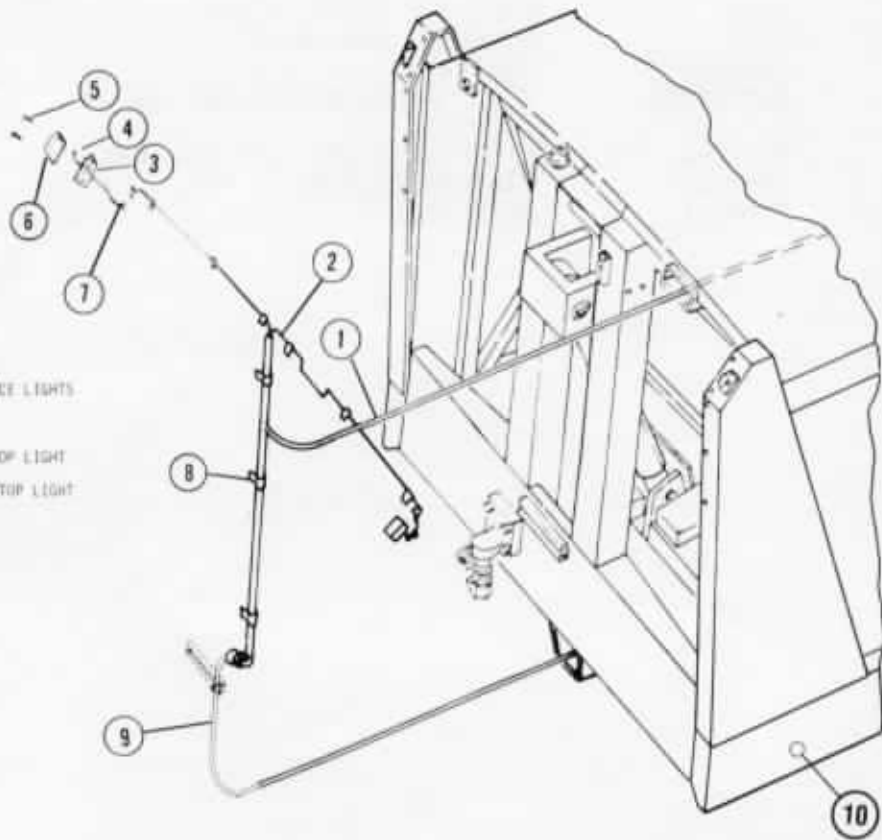
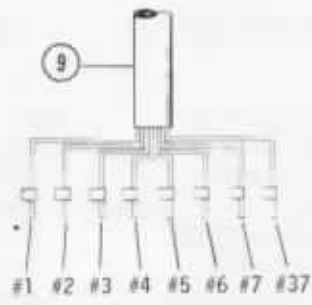
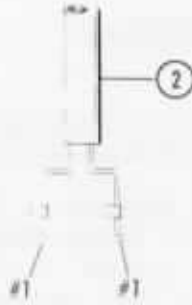
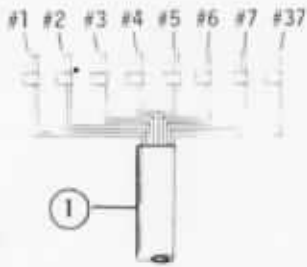
- 2 - 108-0025 RING TERMINAL



CAB AND ENGINE WIRING

REF.	PART NO.	DESCRIPTION	REQ'D
-	K108-3638	KIT, cab and engine electrical	
	K108-3639	(Includes all items listed below)	
	212-0935	DECAL	1
	36-1115	STRAP - CLAMP	12
	108-0432-06	WIRE, No. 14 GA. (WHT)	16 Ft.
	108-2873	1/4" I.D. LOOM	15 Ft.
	108-1110-02	CONNECTOR, insulated butt	6
	108-2272-02	TERMINAL, spade tongue	4
	108-1814	SWITCH, cab control	1
	212-0735	DECAL, warning	1
1	108-1595	SWITCH, limit	1
2	NSS	SCREW, mach., rd. hd. - No. 8 - 32	
		N.C. x 1-1/2" Lg.	2
3	NSS	NUT, hex - No. 8 - 32 N.C.	2
4	NSS	WASHER, lock - No. 8	2
5	108-1759-08	GRIP, cord	1
6	108-0432-01	WIRE, plastic coated, auto - No. 14	
		Ga. - 6 ft.	2
7	263-0045	COTTON LOOM - 3/8" I.D. - 6 ft.	1
8	108-0025	RING TERMINAL	2
9	111-8161	BRACKET	1

BODY WIRING



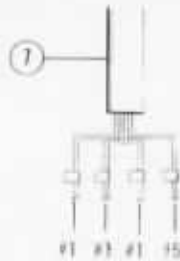
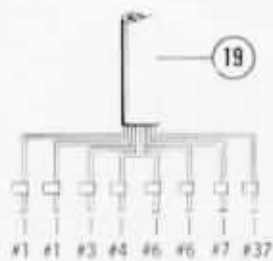
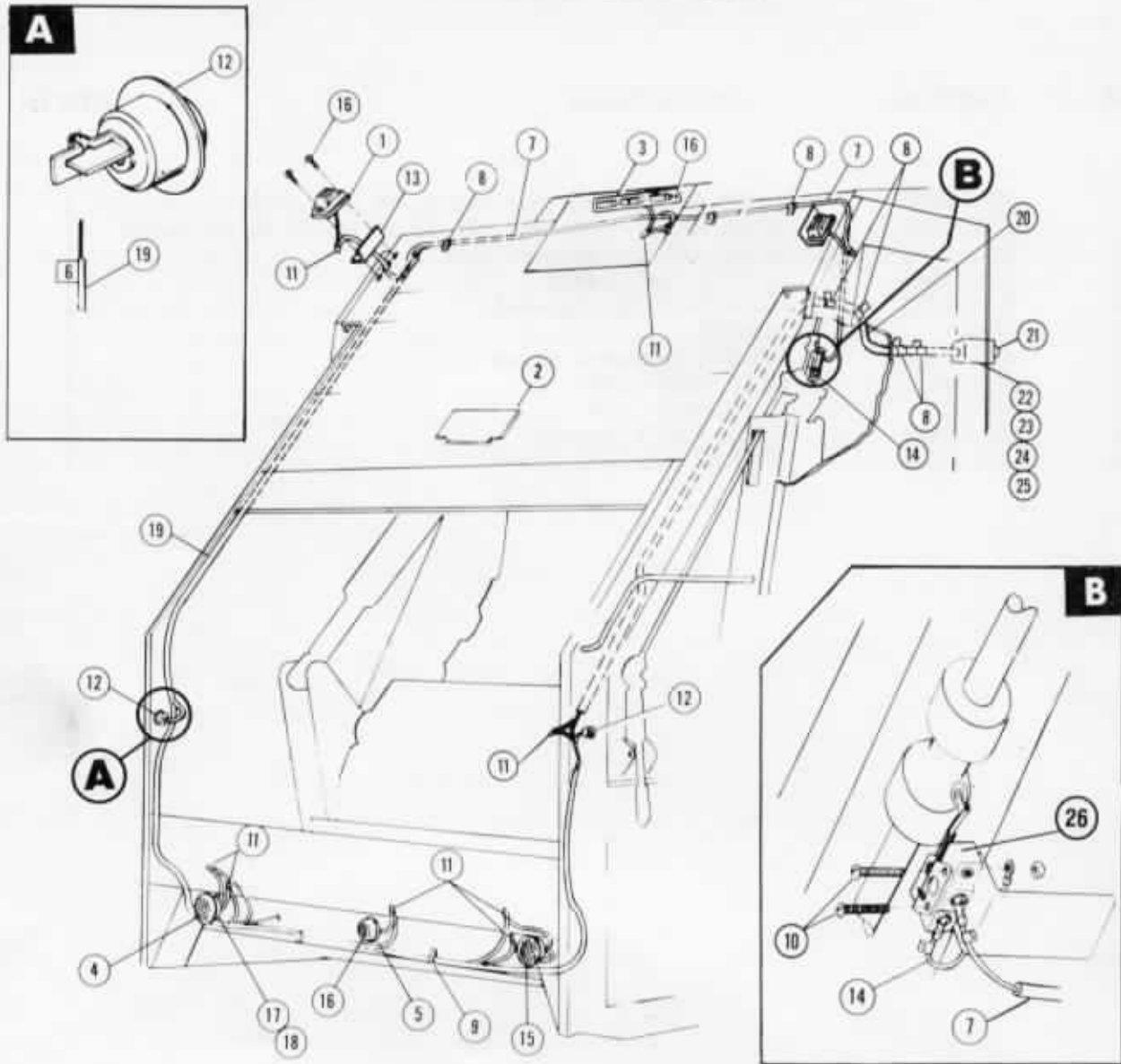
COLOR CODE #	WIRING CODE
BROWN 1	TAIL LIGHTS & CLEARANCE LIGHTS
RED 2	OPEN
YELLOW 3	LEFT TURN SIGNAL & STOP LIGHT
GREEN 4	RIGHT TURN SIGNAL & STOP LIGHT
BLUE 5	SOLENOID SWITCH
WHITE 6	HUZZED
PURPLE 7	OPEN
PINK 8	BACK-UP LIGHT



BODY WIRING

REF.	PART NO.	DESCRIPTION	REQ'D
1	S207-9695	WIRE ASS'Y, body roof - (32 cu. yd. unit only)	1
	S207-9449	WIRE ASS'Y, body roof - (16, 18, 20 and 25 cu. yd. units) ..	1
2	S207-9452	WIRE ASS'Y, clearance light	1
3	S207-3658	ANGLE, light guard	2
4	S207-1333	CONNECTOR, insulated	2
5	NSS	SCREW	8
6	S207-3394	LIGHT, clearance, amber	4
7	36-1249	CLIP, steel - 5/8"	14
8	36-7561	CLIP, steel - 7/8"	3
9	S207-9448	WIRE ASS'Y, chassis	1
10	108-1113	THROTTLE Adv. Switch	1

TAILGATE WIRING



COLOR CODE	WIRING CODE	DESCRIPTION
BROWN	1	TAIL & CLEARANCE LIGHTS
RED	2	OPEN
YELLOW	3	LEFT TURN & STOP
GREEN	4	RIGHT TURN & STOP
BLUE	5	SOLENOID SWITCH
WHITE	6	BIZZER
PURPLE	7	OPEN
PINK	17	BACK-UP LIGHT



TAILGATE WIRING

REF.	PART NO.	DESCRIPTION	REQ'D
1	S207-3393	RED CLEARANCE LIGHT	2
2	212-1209	NAME PLATE	1
3	S207-3395	3 LIGHT BAR	1
4	S207-2837-2	LIGHT - STOP AND TURN, TAIL & LICENSE	1
5	S207-2838	BACK-UP LIGHT	1
6		CONDUIT ASSEMBLY SUPPLY WITH ITEM 19	1
7	S207-9451	CLEARANCE LIGHT AND SOLENOID LOOM	1
8	36-1249	STEEL CUP - 5/8	12
9	S206-7561	STEEL CUP - 7/8	8
10	NSS	CAPSCREW, H.H.-1/2" - 20 x 3/4	2
11	S207-1333	INSULATED CONNECTOR	8
12	S205-1602	BUZZER BUTTON	2
13	S207-3658	LIGHT GUARD	2
14	S204-5931	WIRE - GROUND	1
15	S207-2837-1	LIGHT - STOP, TAIL, TURN	1
16	NSS	SCREW, PAN HEAD-No. 10 - 24 x 3/4	8
17	NSS	HEX NUT - 1/4 - 20	4
18	NSS	LOCK WASHER-1/4	4
19	S207-9450	MAIN LINE LOOM	1
20	S108-3636	HARNESS	1
21	S108-3149	SWITCH, push button	1
22	S108-3150	BOX, outlet	1
23	S108-3151	CLOVER, outlet box	1
24	NSS	SCREW, cap H.H.-1/2" - 20 x 3/4"	2
25	NSS	NUT, hex, lock-1/2" - 20	2
26	S203-3580	SWITCH	1

DECALS

4



3



8



1



9



7



6



10



2

5

12



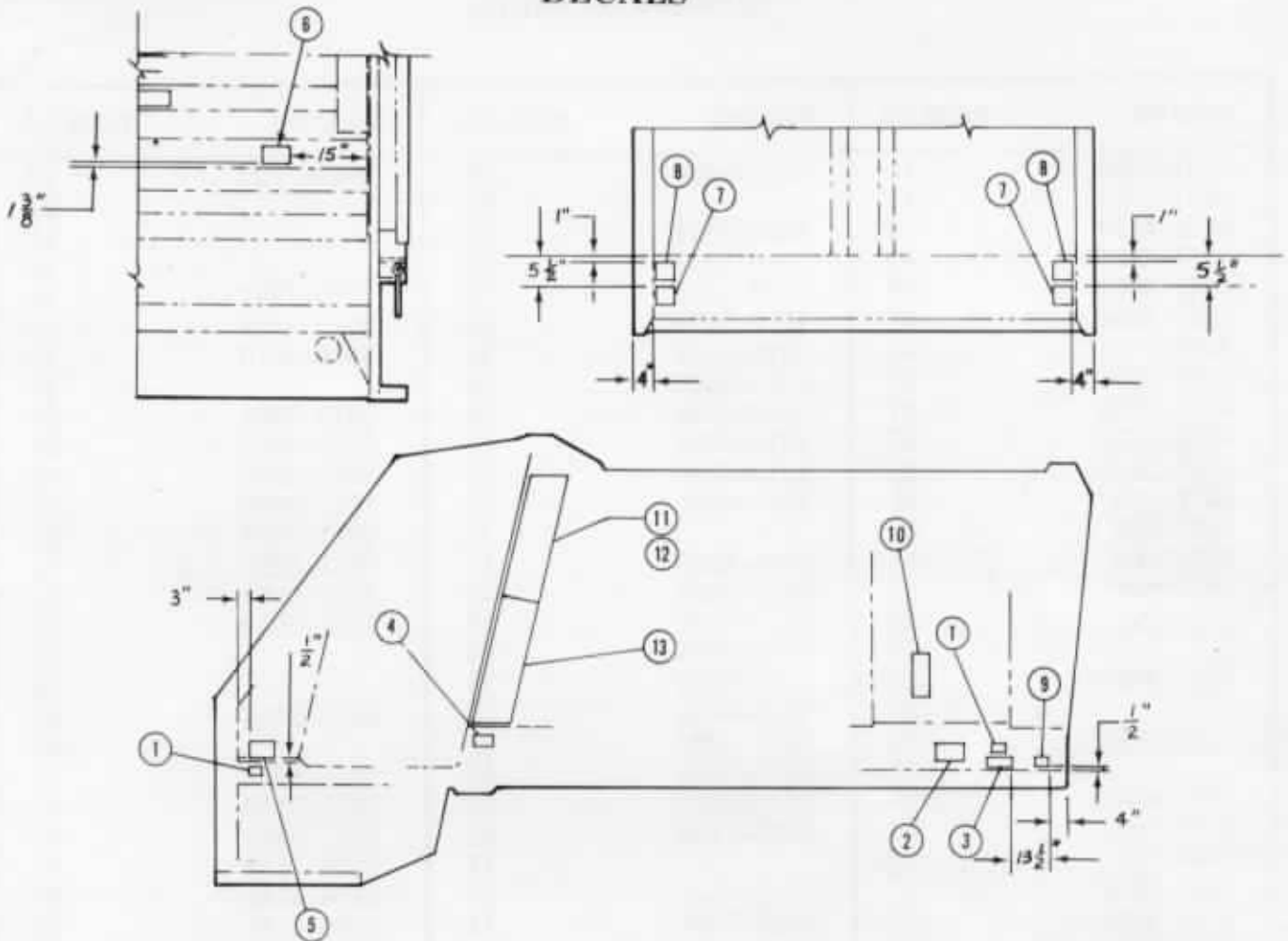
13

11





DECALS



REF.	PART NO.	DESCRIPTION	REQ'D
1	212-0735	DECAL, warning notice	2
2	212-1204	DECAL, service and lube chart	1
3	212-1203	INSTRUCTION PLATE, ejector & tailgate	1
4	212-1114	DECAL, danger	2
5	212-1202	DECAL, operation	1
6	212-1115	DECAL, danger	2
7	212-1205	DECAL, caution	2
8	212-1117	DECAL, caution	2
9	212-1206	DECAL, engine speed	1
10	212-0998	DECAL, cat emblem	2
11	212-0995	DECAL, HEIL R.H.	1
12	212-0996	DECAL, HEIL L.H.	1
13	212-0997	DECAL	2

NUMERICAL INDEX

PART NO.	PAGE NO.	PART NO.	PAGE NO.	PART NO.	PAGE NO.
A001-4090	11	S010-5000	35	S010-7790	13
A001-4093	11		37		27
A001-4094	9	S010-5069	29		31
A027-3881	43	S010-5088	49		33
A027-3883	39	S010-5379	55	S010-7791	31
A027-3884	41	S010-5436	27	S010-8455	53
A085-0153	43	S010-5503	55	S010-8810	13
A085-0154	39	S010-5505	29		29
A085-0155	41	S010-5708	15	S010-8906	29
K108-3638	61	S010-5812	13	S010-8952	51
K108-3639	61	S010-5896	37	S011-5044	33
S207-4169	35	S010-5931	35	S011-5086	47
S207-4799	57		37	S011-5077	55
S207-5604	51	S010-6160	47	S011-5091	51
S207-5605	51	S010-6166	13	S011-5092	51
S207-7222	35	S010-6171	13	S011-5093	47
	37	S010-6265	29		51
S207-7223	35	S010-6424	13		55
	37	S010-6696	13	S011-5094	47
S207-7224	35	S010-6877	37		51
	37	S010-7103	47	S011-5095	51
S207-9064-01	37	S010-7270	29	S011-5130	55
K252-9023	23	S010-7435	31	S011-5333	47
K254-0880	19		33	S108-3149	65
K254-0884	17	S010-7522	29	S108-3150	65
K272-0946	43	S010-7527	33	S108-3151	65
K272-0948	41		51	S108-3636	65
K272-0949	39	S010-7528	13	S203-3580	15
K272-1554	25		27	S203-9883	13
K272-1556	21		33	S203-9885	13
S010-0001	57	S010-7540	49	S204-2986	7
S010-0026	55	S010-7541	47	S204-3472	13
S010-0029	55	S010-7558	47	S204-5931	65
S010-0132	13	S010-7559	47	S204-8413	7
S010-0133	13		55	S204-8414	7
S010-2455	29	S010-7572	27	S024-8466	7
S010-2582	51		47	S204-8885	29
S010-2759	51		49		59
S010-2931	31	S010-7575	51	S204-8887	59
S010-2975	13	S010-7593	47	S204-8890	59
S010-3402	13		49	S204-8891	59
S010-3804	13	S010-7594	55	S205-1602	65
S010-4292	15	S010-7596	45	S205-7354	13
S010-4294	47	S010-7598	45	S206-1235-04	13
S010-4896	47	S010-7624	55	S206-2024	13



NUMERICAL INDEX (Continued)

PART NO.	PAGE NO.	PART NO.	PAGE NO.	PART NO.	PAGE NO.
S206-2105	13	S207-3186	15	S207-4157	35
S206-7386	15	S207-3230	5	S207-4158	35
S206-7561	65	S207-3246	31		37
S206-8706	5		33	S207-4159	35
S206-8707	5	S207-3253	31		37
S207-1333	63		33	S207-4162	35
	65	S207-3254	31	S207-4163	35
			33		37
S207-2441	27	S207-3255	13	S207-4164	35
S207-2552	9	S207-3393	65		37
S207-2640-01	7	S207-3394	63	S207-4165	35
	9	S207-3395	65		37
S207-2640-02	11	S207-3409	5	S207-4166	35
S207-2640-03	11	S207-3422	5		37
S207-2640-04	7		11	S207-4167	35
S207-2640-05	15	S207-3423	5		37
S207-2640-09	15		9	S207-4168	35
S207-2640-10	15		11		37
S207-2683	15	S207-3455	9	S207-4171	35
S207-2690	15	S207-3622-01	29		37
S207-2777	7	S207-3623	29	S207-4172	35
S207-2785	9	S207-3644	59		37
S207-2786	9	S207-3658	63	S207-4173	35
S207-2787	11		65		37
S207-2788	5	S207-4038	13	S207-4174	35
	11	S207-4039	13		37
S207-2789	9	S207-4136	35	S207-4175	35
S207-2836-02	11	S207-4137	35		37
S207-2837-01	65	S207-4138	35	S207-4176	35
S207-2837-02	65	S207-4139	35		37
S207-2838	65	S207-4141	35	S207-4177	35
S207-2855	11	S207-4142	35		37
S207-2861	9	S207-4143	35	S207-4179	35
S207-2862	9	S207-4144	35		37
S207-2907	7	S207-4145	37	S207-4228	35
S207-2908	7	S207-4146	35		37
	27	S207-4147	35	S207-4238	55
S207-2939-03	29	S207-4148	35	S207-4239	55
S207-2939-05	29	S207-4151	37	S207-4240	55
S207-2940-03	29	S207-4152	35	S207-4241	55
S207-2940-05	29	S207-4153	35	S207-4242	55
S207-3169	15	S207-4154	33	S207-4243	55
S207-3170	15		37	S207-4244	55
S207-3175	15	S207-4155	35	S207-4245	55
S207-3181	15	S207-4156	35	S207-4246	55
			37		

NUMERICAL INDEX (Continued)

PART NO.	PAGE NO.	PART NO.	PAGE NO.	PART NO.	PAGE NO.
S207-4248	55	S207-5589	51	S207-8890	5
S207-4249	55	S207-5590	51	S207-8891	31
S207-4250	55	S207-5591	51	S207-8944	31
S207-4251	55	S207-5597	51		33
S207-4448	13	S207-5598	51	S207-8947	31
S207-4449	13	S207-5602	51		33
S207-4775	7	S207-6023	45	S207-8950	31
S207-4925	27	S207-6024	49		33
	31	S207-6028	45	S207-8954	27
	33		47	S207-8955	27
S207-5364	7	S207-6030	47	S207-8956	27
	27	S207-6034	47	S207-8957	27
S207-5388	57	S207-6034	47	S207-8958	27
S207-5389	57	S207-6034-01	47	S207-8960	27
S207-5390	57	S207-6047	45	S207-8961	27
S207-5391	57		49	S207-8962-01	29
S207-5392	57	S207-6059	47	S207-8962-02	29
S207-5393	57	S207-6080	49	S207-8962-03	29
S207-5394	57	S207-6082	47	S207-8962-04	29
S207-5395	57		49	S207-8962-09	29
S207-5396	57	S207-6084	47	S207-8963-01	29
S207-5397	57	S207-6085	47	S207-8963-02	29
S207-5398	57	S207-6099	45	S207-8963-03	29
S207-5401	27	S207-6100	47	S207-8963-04	29
S207-5408	57	S207-6108	47	S207-8963-09	29
S207-5510	49	S207-6110	47	S207-8965-01	27
S207-5513	49	S207-6142	45	S207-8965-02	27
S207-5521	47	S207-6171	45	S207-8965-03	27
S207-5527	47	S207-6172	45	S207-8965-04	27
S207-5529	47		47	S207-8965-09	29
S207-5533	47	S207-6244	29	S207-8966	29
S207-5534	47	S207-6528	49	S207-8968	29
S207-5535	47	S207-6531	49	S207-9007	31
S207-5536	47	S207-7340	11	S207-9064-11	37
S207-5538	47	S207-7425	29	S207-9064-16	37
S207-5539	47		31	S207-9064-23	37
S207-5540	47	S207-7946	11	S207-9064-25	37
S207-5541	47	S207-7974	47	S207-9064-27	37
S207-5543	47	S207-7976	11	S207-9064-28	37
S207-5544	47	S207-8885	33	S207-9064-30	37
S207-5548	47	S207-8886	31	S207-9070	27
S207-5566	51		33	S207-9072	27
S207-5586	45	S207-8887	33		31
	51	S207-8888	31	S207-9079	33
S207-5588	51		33	S207-9079	33



NUMERICAL INDEX (Continued)

PART NO.	PAGE NO.	PART NO.	PAGE NO.	PART NO.	PAGE NO.
S207-9080	33	T207-2631-04	13	1-3405	23
S207-9081	31	T207-2631-05	13		25
	33	T207-2760-01	7	3-2614	17
S207-9082	31	T207-2760-02	7	3-3587	39
	33	T207-2760-03	7		41
S207-9083	31	T207-2760-04	7	3-3588	41
	33	T207-2760-05	7	3-3589	11
S207-9102	53	T207-2856	5	4-1758	11
S207-9103	53	T207-2857	5	8-8125	11
S207-9104	53	T207-2860	5	11-8670	21
S207-9105	53		9	13-4122	17
S207-9106	53	T207-2903	7	15-1665	19
S207-9111	53	T207-2903-01	5	18-0612	39
S207-9311	53	T207-2903-02	5		41
S207-9312	53	T207-2903-03	5	21-2326	21
S207-9313	53	T207-2903-04	5	21-2327	21
S207-9314	53	T207-2903-05	5		23
S207-9316	53	T207-3611	27		25
S207-9317	53		35	21-2328	21
S207-9441	33	T207-3612	27	23-0545	39
S207-9448	63		35	23-0643	43
S207-9449	63	T207-3613	27	23-0644	39
S207-9450	65		35	23-0646	39
S207-9451	65	T207-3614	29	23-0648	41
S207-9588	5		35	23-0649	41
S207-9695	63	T207-3645	27	24-0698	43
S300-7135	13		59	24-0699	39
T206-2104	13	T207-3784	5		41
T206-4814	13	T207-4656	27	25-0451-05	39
T207-2353	31		45		41
	33		47	25-0451-06	39
	51	T207-4901	15		41
T207-2372	31	T207-4902	15	26-2156-26	39
	33	T207-4903	15		41
	55	T207-4968	15	26-2608-23	43
T207-2379	9	T207-5139	15	26-2608-39	39
T207-2421	9	T207-5564	51		41
T207-2439	27,57	T207-6168	15	26-3912-39	39
T207-2470	9	T207-6176	15		41
T207-2520	9	T207-9064-36	37	26-3918-07	43
	11	T207-9064-37	37	26-3977-09	39
T207-2600	7	T207-9064-38	37	26-3977-10	41
T207-2631-01	13	T207-9310	13	26-3977-18	43
T207-2631-02	13		53	26-3979-09	39
T207-2631-03	13	T207-9315	53		41

NUMERICAL INDEX (Continued)

PART NO.	PAGE NO.	PART NO.	PAGE NO.	PART NO.	PAGE NO.
26-4155-06	43	54-3341-08	27	111-8161	61
26-4186-26	39	54-3341-10	33	111-8809	19
	41	54-3344-06	27	207-2903-01	7
26-4194	41	54-3526-04	23	207-2903-02	7
26-4201	39		25	207-2903-03	7
26-4203-02	39	54-3531-11	27	207-2903-04	7
	41	54-3533-06	31	207-2903-05	7
27-1718	17	54-3533-08	31	212-0735	61
27-2838	21	54-3533-10	31		67
31-1908	23	54-3533-11	29	212-0935	61
	25	54-3535-06	27	212-0995	67
31-1909	23	54-3537-06	27	212-0996	67
	25		33	212-0997	67
32-0009	17	54-4194	13	212-0998	67
32-0707	21	54-5420	23	212-1114	67
32-0968	23		25	212-1115	67
	25	60-0408	23	212-1117	67
37-7487	39		25	212-1202	67
	41	60-0416	43	212-1203	67
	43	70-0680	17	212-1204	67
34-9394	17	70-0765	17	212-1205	67
36-1115	61	70-1172	15	212-1206	67
36-1249	63	74-3059-05	33	212-1208	67
	65	74-3061-05	27	212-1209	65
36-7561	63	74-3062-04	27		67
42-0685-02	39	75-0434	23	212-1210	67
	41		25		
42-0685-11	43	97-0376	23		
47-0685-02	39		25		
	41	107-0527	31		
47-1435-26	5	108-0025	61		
47-1792-02	39	108-0432-01	61		
	41	108-0432-06	61		
48-3127-02	19	108-0599	21		
	23	108-1110-02	61		
	25	108-1595	61		
48-3127-04	17	108-1759-08	61		
53-0814	19	108-1814	61		
54-3007-06	27	108-2272-02	61		
54-3007-08	27	108-2873	61		
54-3139-10	31	111-1320	19		
54-3340	27	111-8370	23		
	30		25		
54-3340-06	27	111-8161	23		
54-3341-06	29		25		



Printed in U.S.A.