

4/25/68

NOW

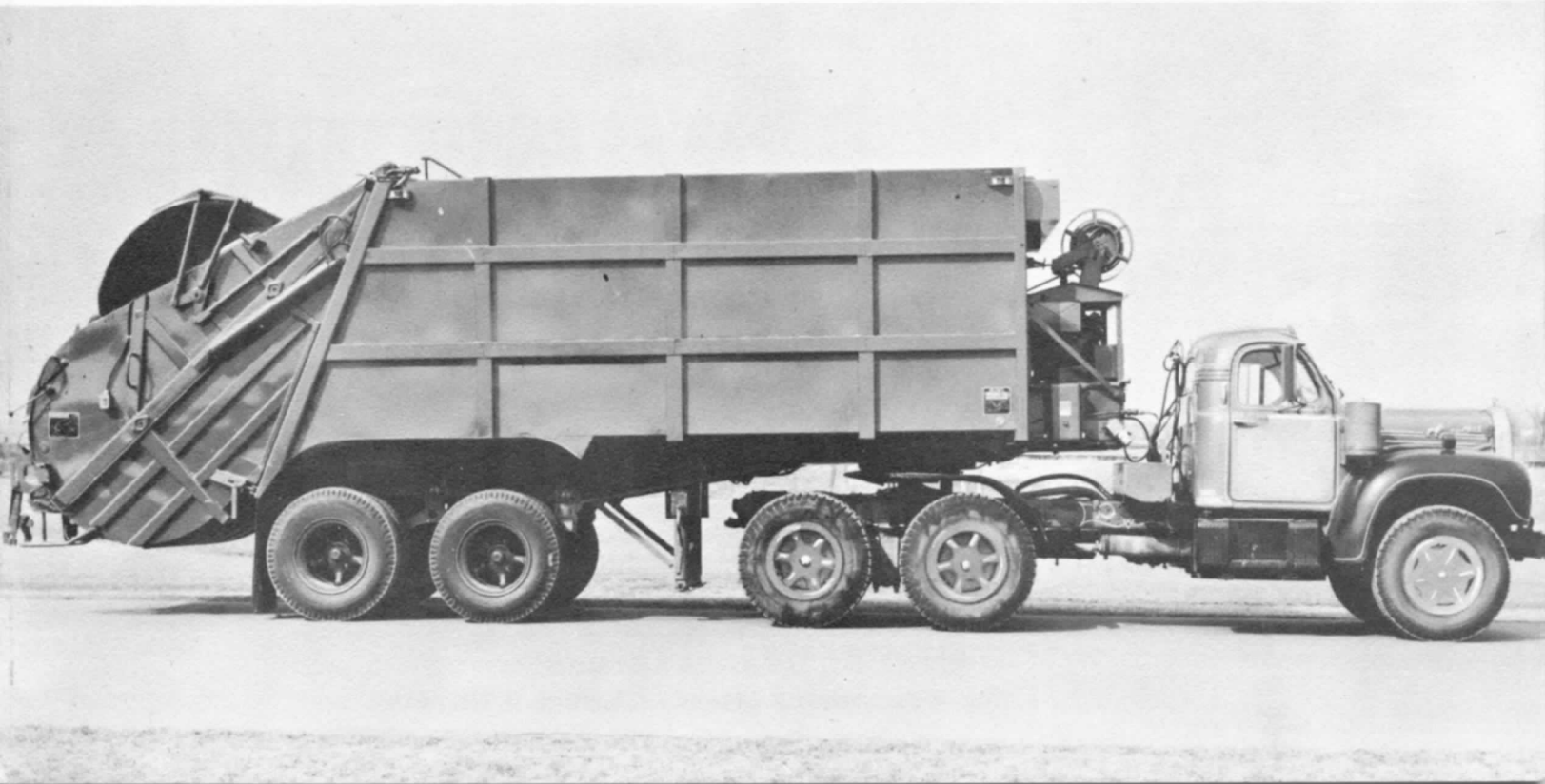
IN GREATER CAPACITY
THAN EVER BEFORE

THE NEW

31-YARD

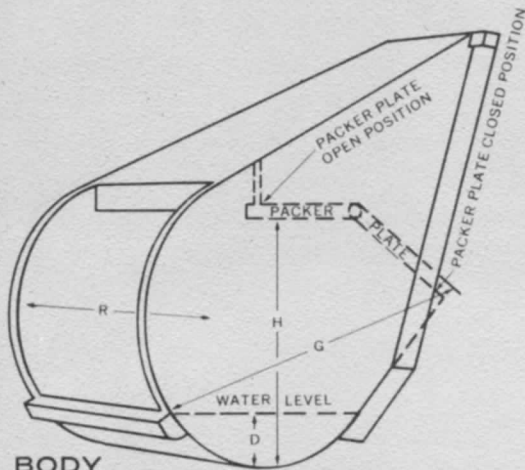
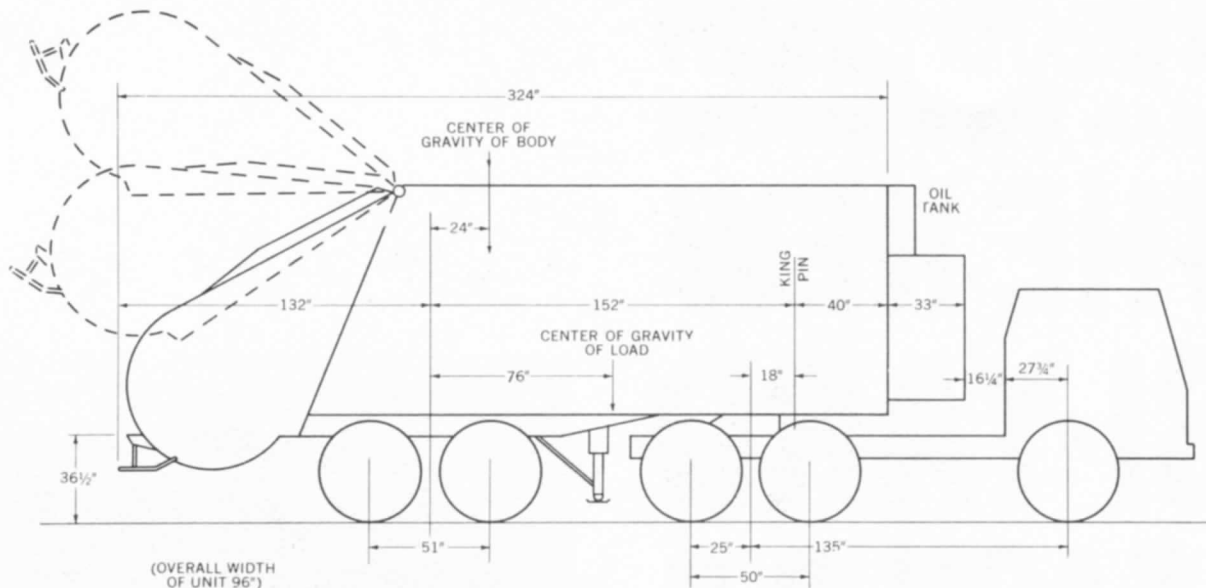
LEACH 2-R

PACKMASTER®



SPECIFICATIONS

LEACH 31-YD 2-R PACKMASTER PUSH-OUT BODY



BODY

1. 31 cubic yard capacity.
2. Sides and top are made of 11 gauge steel. Bottom is $\frac{1}{4}$ " thick steel.
3. Sides, front and rear reinforced with electrically welded box-sections.
4. Contents of body sealed off from outside during compaction period.
5. Steps and grab handles both sides of tailgate.
6. Buzzer system provided at rear to enable loaders to signal driver.
7. Load is pushed out by simple, easily maintained double acting cylinder.

FINISH

Baked on enamel finish.

DIMENSIONS

Capacity	Net Weight	Hopper Capacity	D	G	H	R
31 YD.	Approx. 21,870	2 YD.	16"	82"	56"	80"

TAILGATE

1. 2 cubic-yard hopper capacity.
2. Entirely constructed of EX-TEN or equal alloy steel.
3. Packer and carrier plates constructed of $\frac{3}{16}$ " thick EX-TEN steel.
4. Opens wide and stays clear of unloaded refuse when driving from unloading area.
5. Dual door can be operated automatically.
6. Single lever control.

ENGINE

V-461 D Wisconsin Engine 60.5 Horsepower

UNDERCARRIAGE (Trailer)

Includes axles, wheels (7.5 x 20 rims), 10:00 x 20, 12-Ply tires and tubes, Suspension System, Landing Gear and King Pin. 5th Wheel to be included as part of the Tractor Specification, and not part of the Undercarriage.



ELGIN LEACH CORPORATION



SANITATION HEADQUARTERS
222 West Adams Street • Chicago 6, Illinois

Sanitation is our only business

ClassicRefuseTrucks.com Library

Printed in U.S.A