

The New Standard of
excellence in refuse
collection units...

LEACH
SaniCruiser®

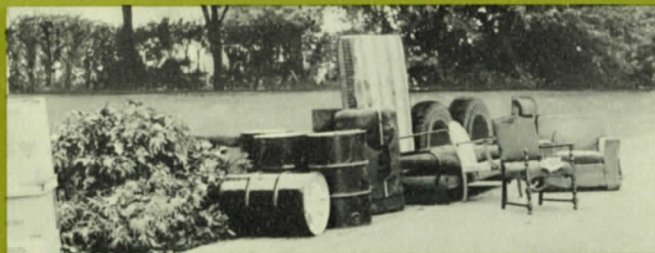
CONTRACTORS • MUNICIPALITIES
INDUSTRIES • INSTITUTIONS



special quality features designed, tested and user approved.
LEACH *SaniCruiser* the new leader in collection vehicles.



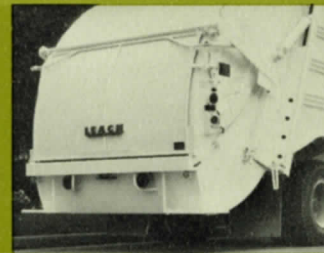
Huge, all usable 2-cubic yard hopper



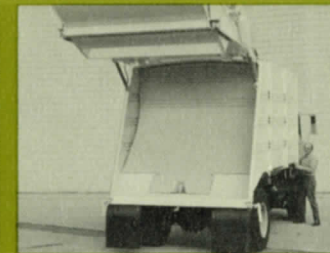
Takes virtually all types of refuse



No-hold single lever Packer Plate Control



Hopper door seal-off safety feature



Single-lever Push-Out Control,
dual mounted



Clean Push-Out Plate Design



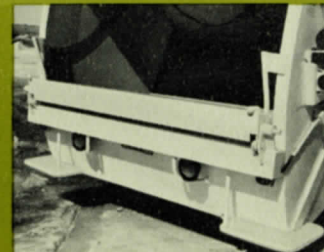
Open, accessible front end



Fast, simple Push-Out System



Exclusive 7-step Leach Baked-On
Enamel Finish



One cycle Leach Container Attachment



Powerful Overhead Winch-Hoist



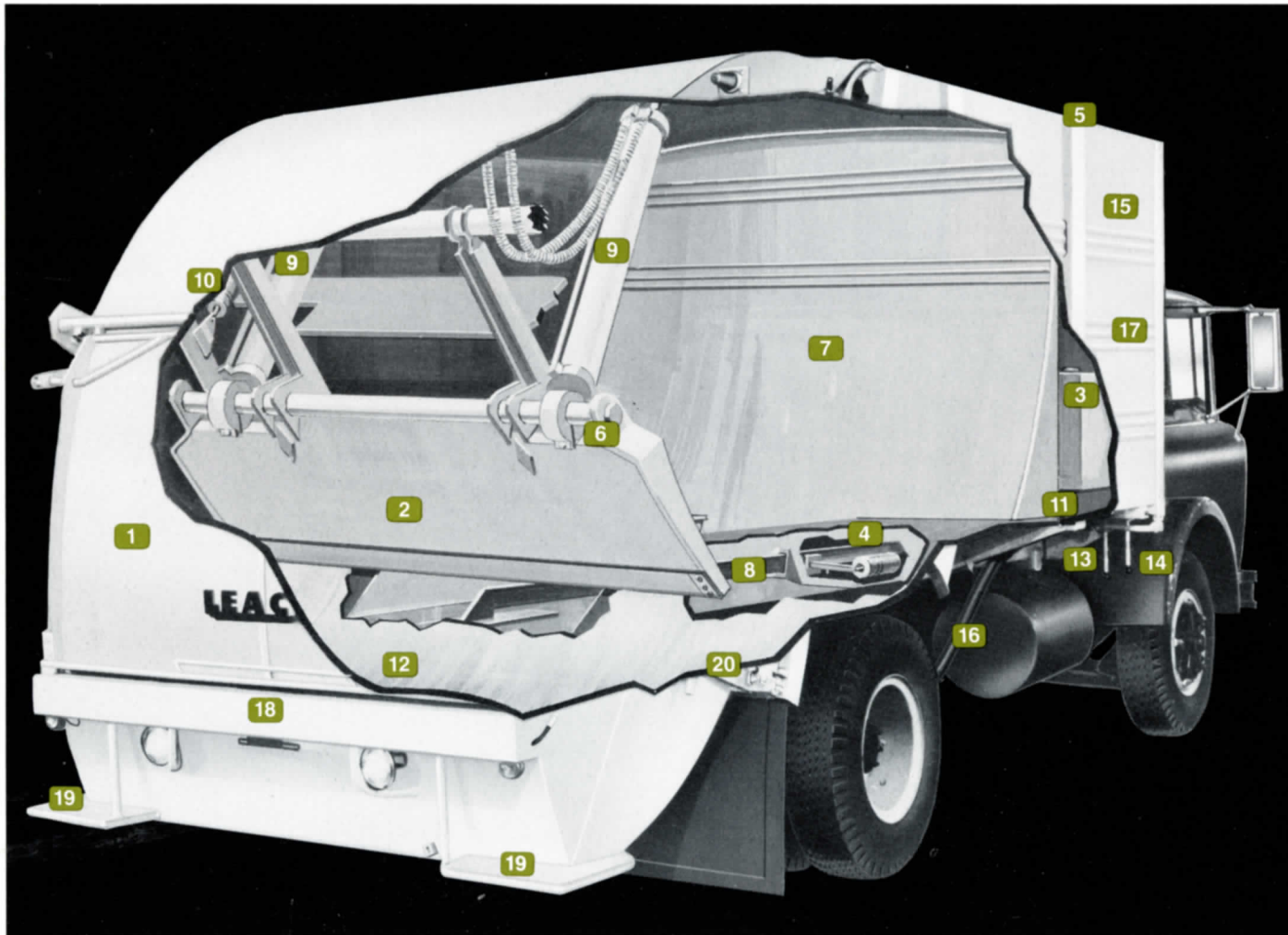
...WHERE QUALITY IN MANUFACTURING BUILDS LEADERSHIP THROUGH ACCEPTANCE.



LEACH SaniCruiser®

The industry asked for it
...LEACH produced it

C. N. WOOD CO., INC.
570 ARSENAL STREET
WATERTOWN, MASS. 02172
923-0200 — 923-0201



The Industry did ask for it: a collection unit that would perform more economically... more consistently, in every kind of refuse collection situation... packing bigger payloads with virtually no restrictions as to types of refuse... without excessive "down time" insuring effective performance over its full life span.

Utilizing its unique "know how" in manufacturing technique, Leach Company has developed such a unit and is proud to make available one of the most adaptable collection units it has ever produced... The Leach SaniCruiser!

- 1 Hopper safety door
- 2 Rugged, durable packer plate
- 3 Hydraulic oil tank
- 4 Push-Out cylinder clamping system
- 5 Pre-stressed, extra strength side channels
- 6 Special heat treated steel rollers and tracks.
- 7 Massive, rugged Push-Out plate
- 8 Heavy-duty Push-Out bar
- 9 Heavy-duty 6" double-acting packing cylinders
- 10 Double-acting packer plate holding cylinder
- 11 Double-acting Push-Out cylinder
- 12 Large, all usable, 2-cubic yard hopper
- 13 Tailgate raise lever, dual mounted
- 14 Push-Out plate lever, dual mounted
- 15 7-step, Baked-On enamel finish
- 16 Standard truck chassis
- 17 Triple horizontal corrugations for extra strength and rigidity
- 18 Reinforced steel hopper loading edge
- 19 Non-skid riding steps
- 20 Tailgate clamping turnbuckles

Sanitation is our only business



ELGIN LEACH CORPORATION



SANITATION HEADQUARTERS
222 WEST ADAMS STREET · CHICAGO, ILLINOIS 60606

INTERNATIONAL DISTRIBUTION:
ELGIN LEACH INTERNATIONAL, INC.
222 WEST ADAMS STREET · CHICAGO, ILLINOIS 60606