

SPECIFICATIONS



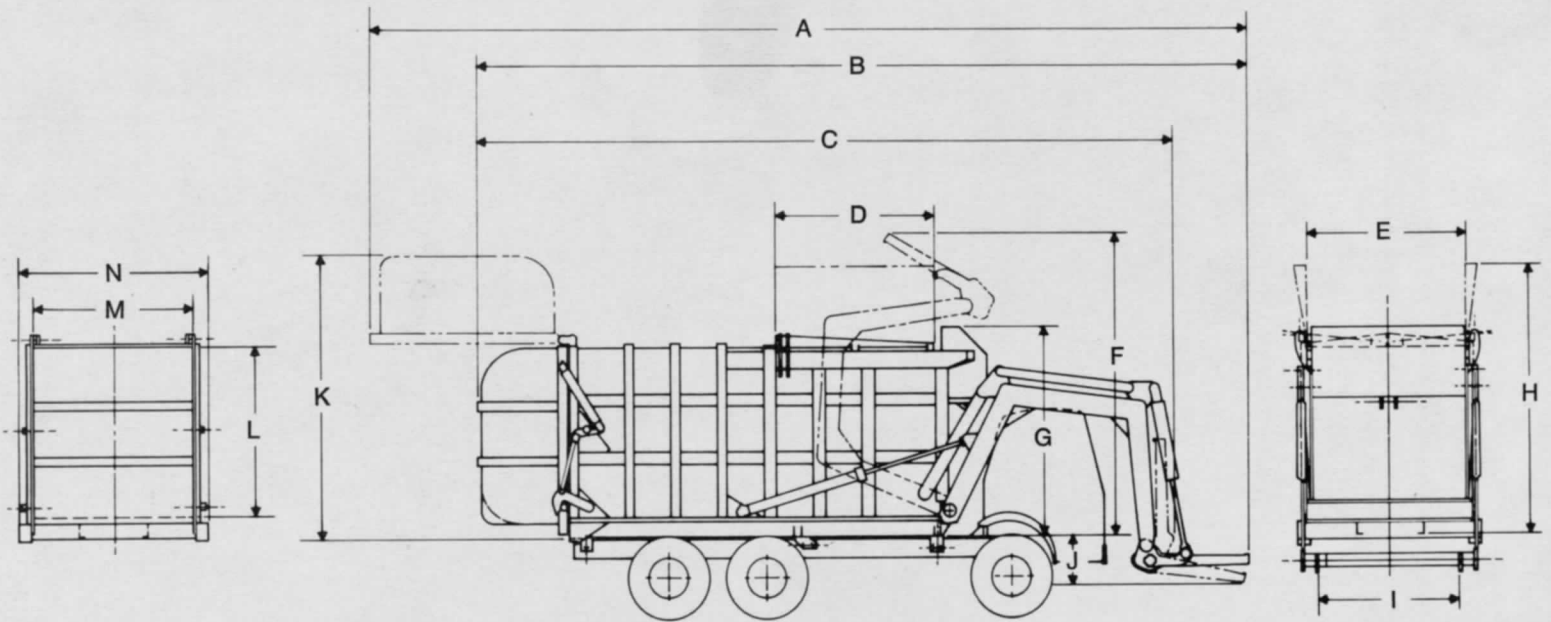
Leach Front Loader

- Available in 25 and 31 cubic yard capacities
- Self leveling forks
- Heavy duty 9,000-pound lift arms
- Automatic tailgate latching/unlatching
- Leach-built quality



Leach Front Loader

SPECIFICATIONS



Body Dimensions

	25 cu. yd.	31 cu. yd.
A—Total Length—tailgate open, forks parallel with ground	453"	453"
B—Total Length—tailgate closed, forks parallel with ground	359"	399"
C—Total Length—tailgate closed, forks perpendicular to ground	320"	360"
D—Length of top door opening	83"	83"
E—Top door open width	83"	83"
F—Total Height—lift arms in container dump position	154"	154"
G—Total Height—tailgate closed, top doors closed	108"	108"
H—Total Height—top doors open	138"	138"
I—Width inside forks	adjustable to 78¾" max.	78¾" max.
J—Lowest fork position from frame	25"	25"
K—Height with tailgate open	106"	146"
L—Inside Height	87"	87"
M—Inside Width	80"	80"
N—Over-all Width	96"	96"

Body Construction (all sizes)

Sides 11 ga. Hi Tensile Steel
 Top 11 ga. Hi Tensile Steel
 Floor 3/16" Hi Tensile Steel

Tailgate (all sizes)

Raised and lowered hydraulically
 Latching and unlatching are automatic
 Cylinder—(2) 4" Diameter x 23" Stroke—Double Acting

Lift Arm & Fork Mechanism (all sizes)

9,000-pound Lift Arm Capacity
 Self Leveling Forks
 Cylinders:
 (2) Lift 5" Diameter x 53" Stroke
 (2) Tilt 4" Diameter x 25" Stroke

Top Door Openings (all sizes)

83" x 83"

Packing and Ejection Cylinder

8½" Diameter Double Acting Telescopic Cylinder—3 stage

Hydraulic System

Pump—30 GPM @ 1000 RPM
 Maximum Operating Pressure—1600 PSI
 Hydraulic Tank Capacity—115 gal.

C. N. WOOD CO., INC.
 570 ARSENAL STREET
 WATERTOWN, MASS. 02172
 923-0200 926-3200

Makes life a lot easier

LEACH
 Pacesetter in Sanitation



Elgin Leach Corporation
 222 West Adams St. • Chicago, Illinois 60606