

FRONT MOUNTED BOOM AND HOSE ASSEMBLY.

Leach
VAC/ALL

E5

Foremost in pickup performance.

While a standard rear mounted intake tube and hose assembly will handle the majority of your jobs, there will be applications when you need the added "reach" that a front mounted boom provides.

Narrow alleys and streets often times restrict movement. The VAC/ALL E5 can easily be maneuvered into operating positions. Clean to the right, left and center of the unit.

Installing intake tube and hose assemblies to both the rear and front of your VAC/ALL provides total operating flexibility and versatility to maximize your investment.

The ultimate in flexibility.

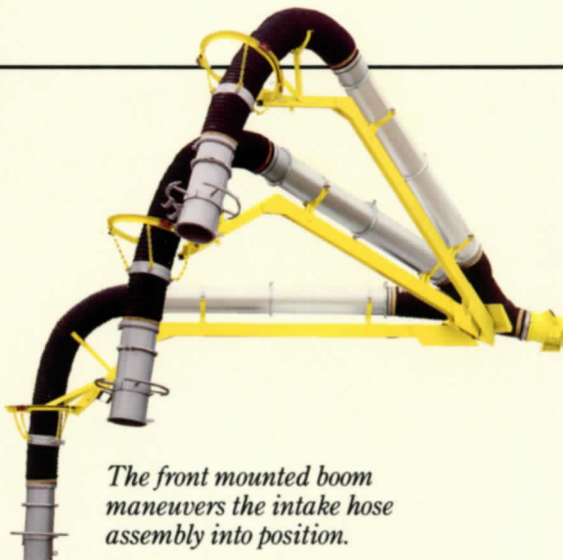
The front center mounted boom and 12" intake hose with 120° rotation provides additional reach in a vertical and horizontal movement to either side of the vehicle. The boom

is controlled hydraulically for up and down movement from a push button station.

Horizontal movement is controlled hydraulically with power traverse. A factory installed telescopic boom and hose option is available for extended reach.

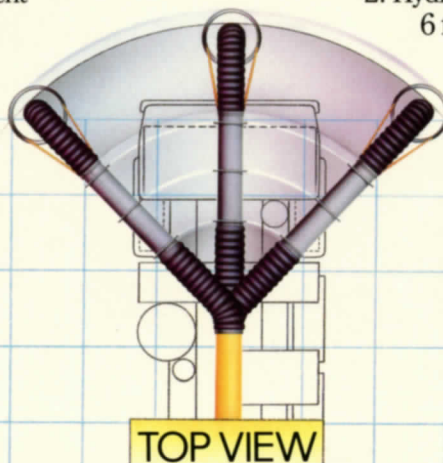
Front Boom Options

1. Boom control station installed in truck chassis cab.
2. Hydraulic telescopic boom extension of up to 6 feet.



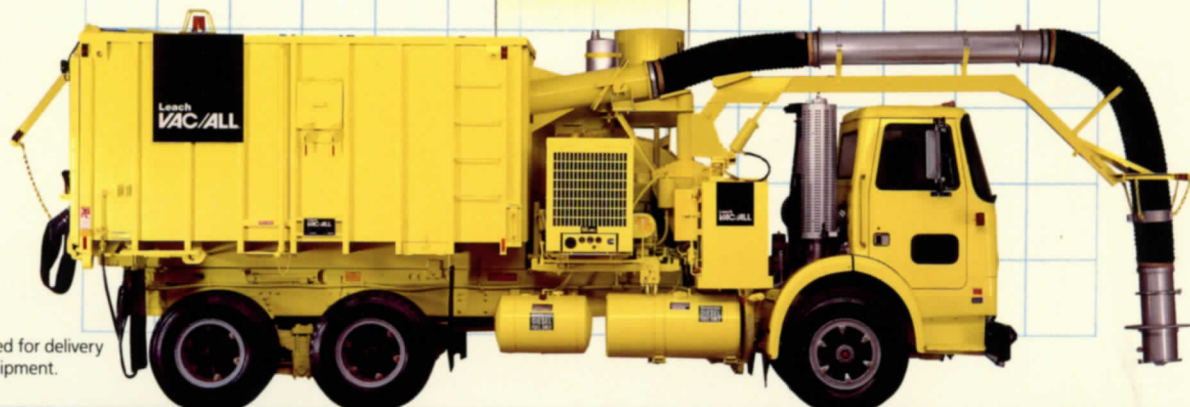
The front mounted boom maneuvers the intake hose assembly into position.

Due to our constant effort to offer the finest products available, we must reserve the right to change specifications without notice and without obligation to install them on units sold. Illustrations shown may include optional equipment and accessories, and may not include all standard equipment.



TOP VIEW

Leach
VAC/ALL
We pick up. We deliver.



Unit shown not detailed for delivery and with optional equipment.

LEACH COMPANY . 2737 HARRISON ST. . PO. BOX 2608 . OSHKOSH, WI 54903
414-231-2770 . TELEX 26-2711 . FAX 414-231-4571

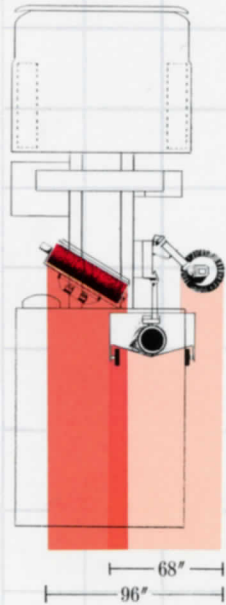
Printed in U.S.A.
Form No. 9111186-1

**IT'S A CLEANER
SWEEP.**

**Leach
VAC/ALL®**

**TRANSFER
BROOM.**

Now, you can clean 40% more area and do it without increasing operating time with a VAC/ALL Transfer Broom. By adding this factory installed option to your VAC/ALL, you'll increase its overall sweeping path to a full 96 inches for the cleanest sweep in the industry.



Unit above shown with right mounted gutter broom and fixed transfer broom. Left mounted gutter broom with fixed transfer broom also available. For complete flexibility, units available with both right and left gutter brooms and swivel transfer broom.

Choose from these versatile broom combinations.

1. Right mounted gutter broom with fixed transfer broom
2. Left mounted gutter broom with fixed transfer broom
3. Right and left mounted gutter brooms with swivel transfer broom*

* During operation only one gutter broom will rotate at a time. The operator controls which broom will rotate.

Transfer brooms are available for these VAC/ALL models:

E5-10 E5-13 E5-14 E5-16 E5-20 E10



Due to our constant effort to offer the finest products available, we must reserve the right to change specifications without notice and without obligation to install them on units sold. Illustrations shown may include optional equipment and accessories, and may not include all standard equipment.

Unit shown not detailed for delivery and with optional equipment.



© 1991 Leach Company

LEACH COMPANY, 2737 HARRISON ST., P.O. BOX 2608, OSHKOSH, WI 54903
414-231-2770. TELEX 26-2711. FAX 414-231-2712.

Printed in U.S.A.
Form No. 9108186-1