

LOAD-MASTER[®]

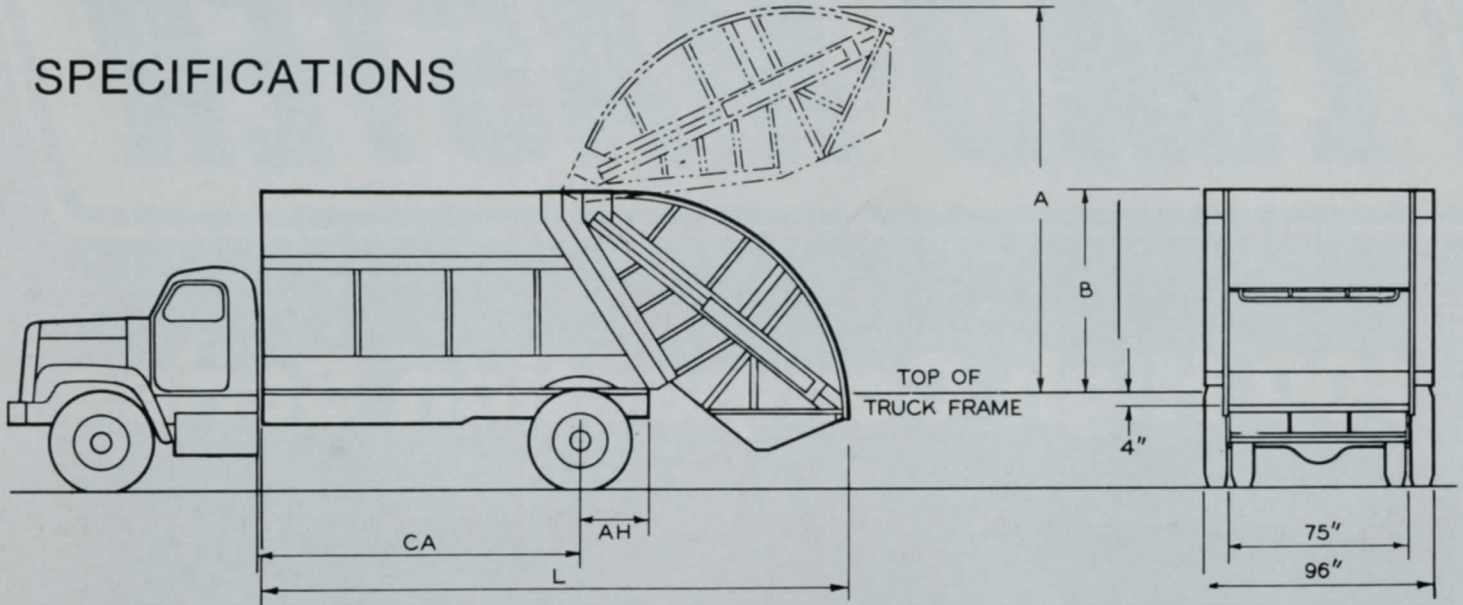
100 High Compaction Series



Built to Challenge the Industry's Best

- Bigger Payloads
- Lowest Downtime in Industry
- Load-Master's Unsurpassed Reputation
- Larger Hopper - 2½ Cubic Yards
- Modern Cylinder-Type Container Hoist
- Built for Commercial & Residential Routes

SPECIFICATIONS



Dimensions

LOAD-MASTER MODEL	CAPACITY CU. YDS.	A INS.	B INS.	CA INS.	AH INS.	L INS.	WT. LBS. APPROX	HOPPER CAPACITY CU. YDS. LOADED
LM120HC	20	166	89	140	36	248	13,600	2½
LM120HCT	20	166	89	145*	26	248	13,600	2½
LM125HCT	25	166	89	169*	36	282	14,250	2½

*For Tandem Chassis CA Dimension is to Center Line of Rearmost Wheel

Container Handling Devices

The most efficient rear-loader container handling system available! Quick, smooth, positive, efficient — simple to maintain. Works totally independent of packing cycle. Single overhead double-acting hydraulic cylinder, with capabilities to fit your day-to-day needs. Model ranges as follows:

- Model 1-2 -1 to 2 yard containers
- Model 2-6 -2 to 6 yard containers
- Model 1-6 -The complete range

BASIC LOAD-MASTER LM-120 HC DATA

Body

Floor..... 11 gauge High Tensile
 Sides 11 gauge High Tensile
 Roof 11 gauge High Tensile
 Understructure of Body—Full Width
 Crossmembers Integral with Body
 Floor

Tailgate

Hopper Floor 1/4" High Tensile
 Packing Plate 1/4" High Tensile
 Hopper Sides 3/16" High Tensile
 Hopper Capacity 2 1/2 cu. yds.
 Single Lever packing Controls

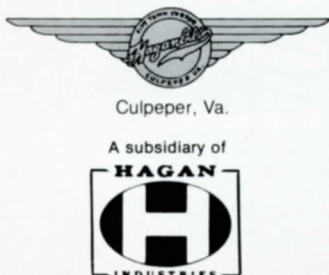
Hydraulic Systems

32 G.P.M. Gear Pump
 Multiple Balanced Spool type valves
 with Adjustable Cartridge Relief
 All Cylinders—Chrome plated
 Plunger Rods

Note: Truck equipped with diesel engine requires variable speed governor.

Compare These Features with the Unit You're Now Using

Manufactured By:
 City Tank Corporation



Marketed Internationally By:



PHONE (904) 725-7214
 6501 ARLINGTON EXPRESSWAY, SUITE 103
 JACKSONVILLE, FLORIDA 32211

Distributed Locally By:

Casey & Dupuis Equipment Corp,
 340 Pleasant Street
 Watertown 72 Mass.
 WA 4-7575

ClassicRefuseTrucks.com Library