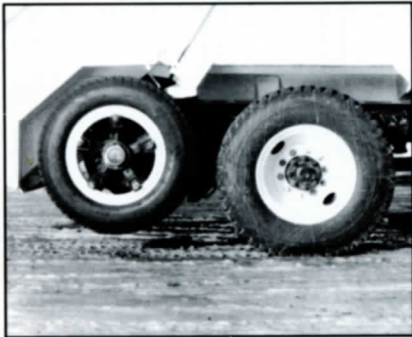


LOADMASTER™

EDGE SERIES

LOADMASTER high compaction rear loaders have traditionally been known as rugged, dependable and highly productive. LOADMASTER acted to extend that tradition into the 90's and beyond by responding to the changing requirements of the market during the 80's with a rear loader that was designed to take advantage of the tag axle concept. That product was refined and evolved to become the LOADMASTER "EDGE". Rugged design, attention to detail during manufacturing, 1000 lb. per yard compaction and the ability to haul larger legal loads give "EDGE" owners an advantage over the competition.



LOADMASTER "EDGE" TAG AXLE OPTION

Shifts weight off the rear axle to the front axle allowing larger legal payloads.



LARGE RAPID CYCLE HOPPER

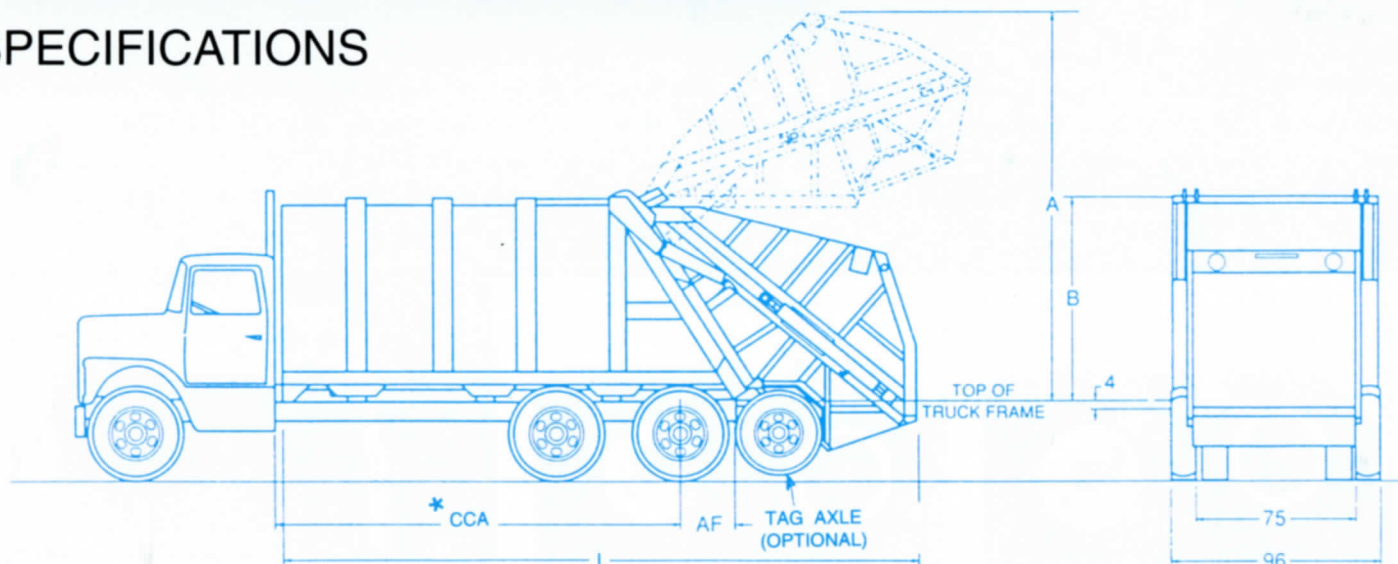
The large 3.0 cubic yard (3.6 cu. yd. with container lip and latch kit) hopper is designed to accept the tag axle while maintaining the advantages associated with a high capacity hopper.



"COMMITTED TO EXCELLENCE"

EDGE SERIES

SPECIFICATIONS



BODY CONSTRUCTION

Floor	10 Gauge	Hi-Tensile
Sides (Rear Section)	10 Gauge	Hi-Tensile
Side Wall	11 Gauge	Hi-Tensile
Roof	11 Gauge	Hi-Tensile
Ejector Face Sheet	11 Gauge	Hi-Tensile

BODY SPECIFICATIONS

Model	Edge 18	Edge 20	Edge 25	Edge 31
Capacity	18 Yards	20 Yards	25 Yards	31 Yards
Height with T/G Full Up (A)	177"	177"	177"	177"
Height Above Chassis Frame (B)	97"	97"	97"	97"
Overall Length (L)	248"	254"	288"	318"
Body Weight	14,200	14,500	15,100	16,150

CHASSIS REQUIREMENTS

Model	SINGLE REAR AXLE		TANDEM REAR AXLE			
	Edge 18	Edge 20	Edge 18	Edge 20	Edge 25	Edge 31
CCA Rec. W/O Tag	-	-	152"	158"	193"	223"
CCA W/Tag	138"	144"	138"	144"	177"	206"
Clear Platform (Min.)	171"	177"	171"	177"	211"	245"
After Frame W/Tag (AF)	40"	40"	40"	40"	40"	40"
Minimum GAWR-Front W/O Tag	-	-	12,000	12,000	14,000	16,000
Minimum GAWR-Front W/Tag	14,000	16,000	14,000	16,000	16,000	18,000
Minimum GAWR-Rear W/O Tag	-	-	34,000	34,000	40,000	44,000
Minimum GAWR-Rear W/Tag	23,000	23,000	34,000	34,000	34,000	40,000

*CCA is the dimension from any component behind the cab and above the top of the frame (which will interfere with body mounting) to the center of the rear-most axle.

TAILGATE CONSTRUCTION

Hopper and Chute Floor	1/4" AR 235 Plate
Hopper Sides	3/16" AR 235 Plate
Face of Packing Panel	3/16" T-1 Plate
Face of Carriage Panel	3/16" AR 235 Plate

TAILGATE SPECIFICATIONS

Capacity	3.0 Cubic Yards
Loading Height	4.0 Below Top of the Chassis Frame
Hopper Width	75"
Hopper Depth	17.5"
Hopper Opening Height	62"
Cycle Time	28 - 30 Seconds
Re-Load Time	10 - 12 Seconds

HYDRAULIC SYSTEM SPECIFICATIONS

Max Operating Pressure	1850 PSI
Pump	47GPM @ 1200 R.P.M.
Oil Reservoir	70 Gallons
Suction Filter, In Tank	100 Mesh
Return Filter, In Tank	10 Micron
Body Valve	2 Spool Sectional
T/G Control Valve	2 Spool Sectional
Panel Cylinders (Inside)	5.5" Bore
Packing Cylinders (Outside)	5.5" Bore
Tailgate Lift Cylinders	5.5" Bore
Ejection Cylinders - 18, 20, 25 Yd. Body	6.5" Bore
31 Yd. Body	7.5" Bore

CYLINDER FORCES @ 1850 PSI

Cylinder	Bore	Force Ea. Cylinder
Ejector	7.5"	81,731 Lbs.
Ejector	6.5"	61,389 Lbs.
T/G Lift	5.5"	43,952 Lbs.
Panel	5.5"	43,952 Lbs.
Packing	5.5"	43,952 Lbs.

OPERATING CONTROLS

Packing Cycle	Dual Levers, Right Rear of Tailgate
Container System	Single Lever, Right Rear of Tailgate
Tailgate Raise/Lower	Single Lever, Left Front of Body
Ejection	Single Lever, Left Front of Body
P.T.O./Front Pump	Switch, Drivers Side of Cab

STANDARD FEATURES

- Cast Iron Gear Pump
- In Body Oil Tank with Return and Suction Filters
- Suction Line Shutoff Valve
- Automatic Ejector Unloading
- Air Solenoid Throttle Advance
- Buzzer Both Sides of the Tailgate
- Backup and Tailgate Raised Alarms
- Neutral Safety Switch on Units with Automatic Transmission
- Side Door, Street Side of Body
- Chromed Rods All Cylinders
- Cushioned Packing and Panel Cylinders
- Hydraulic Pressure Gauge
- Prime Paint
- 1,000-1,100 lb. per yd. Compaction

Specifications subject to change without notice.

LOADMASTER™

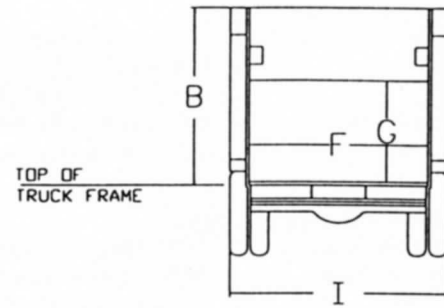
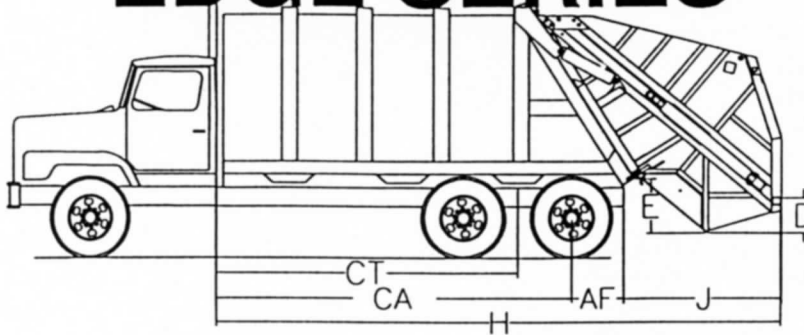
A Product of INGER-TECO Corporation

100 W. Eleventh Ave.
P.O. Box 186
Norway, MI 49870-0186

(906) 563-9226
FAX (906) 563-9800
Toll Free (800) 433-2768

LM Form 031594

LOADMASTER EDGE SERIES



BODY SPECIFICATIONS

	18 YARD	20 YARD	25 YARD	31 YARD
B—HEIGHT ABOVE CHASSIS FRAME	97"	97"	97"	97"
D—DEPTH OF HOPPER	17.5"	17.5"	17.5"	17.5"
E—HOPPER BELOW CHASSIS FRAME	21"	21"	21"	21"
F—HOPPER INSIDE WIDTH	75"	75"	75"	75"
G—HOPPER OPENING HEIGHT	62"	62"	62"	
H—OVERALL LENGTH	248"	254"	288"	318"
I—OVERALL WIDTH	96"	96"	96"	96"
J—REAR OF BODY TO REAR OF TAILGATE	81"	81"	81"	81"
* APPROXIMATE BODY WEIGHT	14,350lbs	14,750lbs	15,450lbs	16,450lbs
* LOADING SILL BELOW CHASSIS FRAME	4.0"	4.0"	4.0"	4.0"
* HOPPER CAPACITY	3.0 YDS.	3.0 YDS.	3.0 YDS.	3.0 YDS.
HEIGHT ABOVE FRAME [T/G RAISED]	183"	183"	183"	183"

CHASSIS REQUIREMENTS

MODEL	MIN GVW [lbs] *		MIN GVW FRONT [lbs] *		MIN GVW REAR [lbs] *		CAB TO AXLE [CA] **		CAB TO TRUNNION [CT] **		MIN AFTER FRAME
	W/O TAG	W/ TAG	W/O TAG	W/ TAG	W/O TAG	W/ TAG	W/O TAG	W/ TAG	W/O TAG	W/ TAG	
18 YD	36,000	38,000	12,000	14,000	34,000	34,000	150"	138"	130"	NA	36"
20 YD	36,000	38,000	12,000	14,000	34,000	34,000	156"	144"	136"	116"	36"
25 YD	52,000	56,000	12,000	16,000	40,000	40,000	NA	NA	162"	150"	36"
31 YD	58,000	64,000	14,000	20,000	44,000	44,000	NA	NA	194"	180"	36"

** THESE ARE REQUIREMENTS FOR A STANDARD BODY. CONSULT YOUR DEALER FOR RECOMMENDED SPECIFICATIONS FOR YOUR APPLICATION

* THIS DIMENSION INCLUDES 5" OF CAB TO BODY CLEARANCE
CT WILL INCREASE IF ADDITIONAL CAB TO BODY CLEARANCE IS REQUIRED

Loadmaster reserves the right to change specifications without notice and without obligation to install them on units sold. Information published is informational only and shall not be construed to warrant suitability of the unit for any particular purpose, as performance may vary with the conditions encountered. Illustrations shown may include optional equipment and accessories, and may not include all standard equipment.

LOADMASTERTM

100 W. Eleventh Ave.
P.O. Box 186
Norway, MI 49870-0186

(906) 563-9226
FAX (906) 563-9800
TOLL FREE (800) 433-2768

EDGE SPECIFICATIONS

Material Specifications - Body

Body Sides.....	11 GA High Tensile Steel	Optional.....	10 GA, 7 GA
Body Floor.....	10 GA High Tensile Steel	Optional.....	7 GA, 1/4"
Body Roof.....	11 GA High Tensile Steel	Optional.....	7 GA, 1/4"
Longitudinal Channels.....	1/4" High Tensile Steel		
Ejector Track Channel.....	1/4" High Tensile Steel		

Material Specifications - Tailgate

Lower Tailgate Sides.....	3/16" Abrasion Resistant Plate	Optional.....	1/4"
Upper Tailgate Sides.....	10 GA High Tensile Steel	Optional.....	3/16"
Hopper Floor.....	1/4" Abrasion Resistant Plate	Optional.....	
Separator Panel.....	3/16" Abrasion Resistant Plate	Optional.....	1/4"

Material Specifications - Blades

Ejector Face	10 GA High Tensile Steel	Packing Blades Hinge Shaft... 4 1/8" Dia.
Ejector Face Reinforcements.....	1/4" High Tensile Steel	Rollers..... 4 3/4" Dia.
Ejector Shoe Assembly.....	3/8" High Tensile Steel	
Ejector Guide Shoes.....	UHMW Polyethylene	
Sweep Blade Face.....	3/16" T-1 Steel	
Sweep Blade Pusharms.....	1/2" High Tensile Steel	
Sweep Blade Cutter Bar.....	1/2" x 4"	
Slide Blade Face.....	3/16" Abrasion Resistant Plate	

Hydraulic Specifications

Reservoir.....	70 Gallon	Sweep Cylinders.....	5 1/2" Bore
Pump.....	Cast Iron Gear	Pack Cylinders.....	5 1/2" Bore
Pump Flow.....	47 GPM	Tailgate Cylinders.....	5 1/2" Bore
Operating Pressure.....	1850 P.S.I.	Ejection Cylinder.....	6 1/2", 7 1/2" Bore
Suction Filter.....	141 Micron/100 Mesh		
Return Filter.....	10 Micron, Double Element		
Body Valve.....	2 Spool - Sectional		
Tailgate Valve.....	2-6 Spool - Sectional		

Electrical Specifications

Wire.....	14 GA SXL	Lights.....	Grommet Mounted Lights
Wire Code.....	Color Coded and Labeled	Buzzer.....	Both Sides of Tailgate
Harness System.....	3	Clearance Lights.....	2 1/2" Dia.
Harness Connections.....	Aircraft Type Duetsch	Stop Turn Tail Lights.....	4" Dia.
Wire Connections.....	Heat Shrink Sealed		

Standard Features

Cast Iron Gear Pump	Chrome Plated Cylinder Rods & Sleeves
Epoxy Prime Paint	Cushioned Slide and Sweep Cylinders
Undercoated Body Floor	Suction Line Shut Off
Heavy Duty Tailgate Turnbuckle Locks	In-Body Oil Tank w/Sight Gauge & Temp Gauge,
Street Side Access Door	Breather and Magnetic Plug
Access Door Ladder	Additional Lights Above Hopper

Optional Features

Hot Shift & Air Shift Power Takeoffs	PTO Kill Switch
Frame Mounted Oil Tank	NYC Light Bar w/7" Lights
Front Mount Hydraulic Pump	Worklights
Wrapped Hoses	Strobe Light
Washout System	Tool Box
	Drum Winches
	Reeving Winch