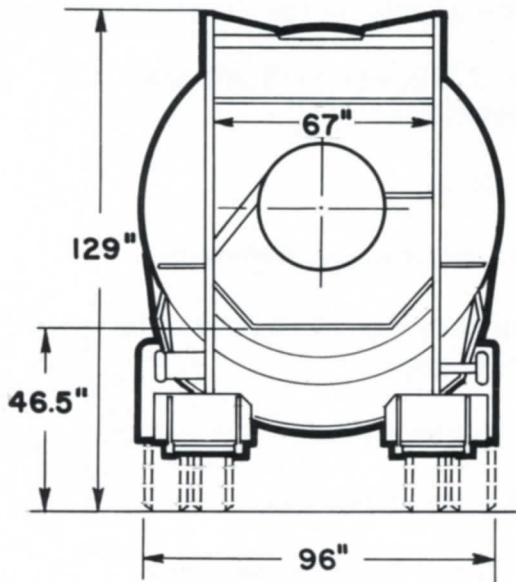
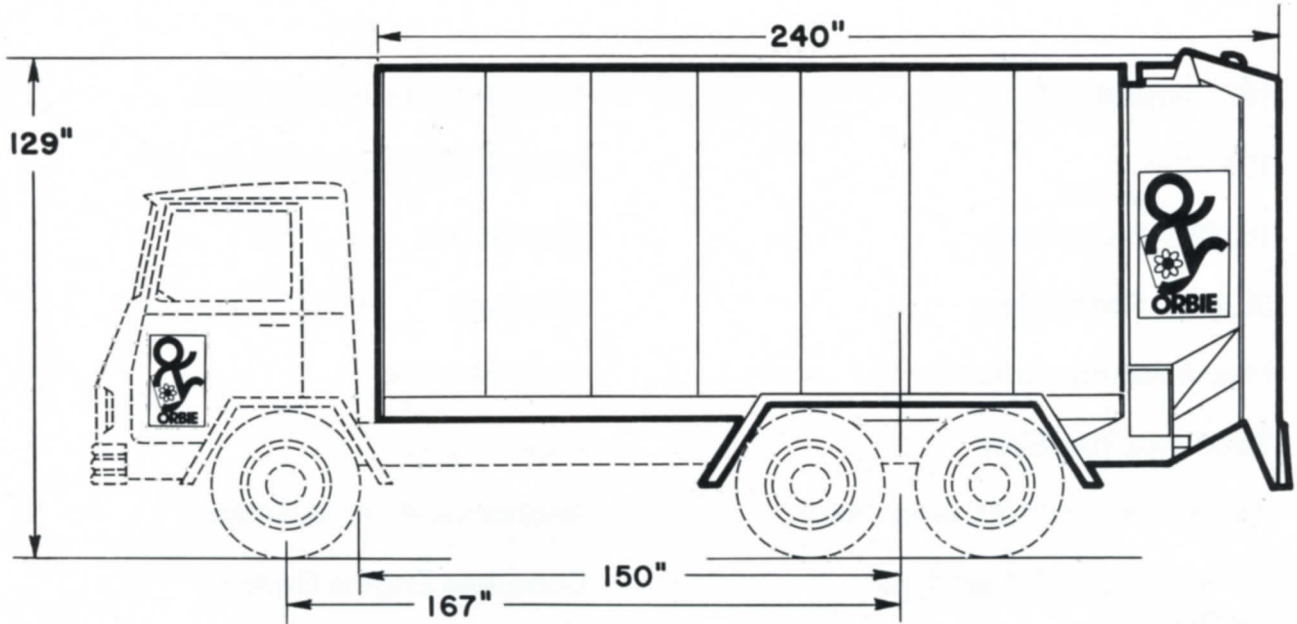


ORBIE

MODEL 202A



TYPICAL TRUCK FEATURES

WEIGHTS	FRONT AXLE	REAR AXLE	TOTAL
Chassis Cab	7400	6800	14,200 lbs.
Body (dry)	600	10,700	11,300 lbs.
Payload	5550	18,450	up to 24,000 lbs.
Total	13,550	35,950	up to 49,500 lbs.
GVWR			52,800 lbs.



ORBITAL COLLECTION SYSTEMS, INC.
 1730 K St., N.W. Washington, D.C. 20006
 (202) 296-0620 Telex 440306

TYPICAL CHASSIS SPECIFICATIONS

MODEL 202A

167" Wheelbase

150" C.A.

16,000# Front Axle

38,000# Rear Axle

Frame Reinforcement

Two Front Tow Eyes

Air Brakes, 12 CFM Compressor

**15" x 4" Front, S Cam Type
Air Brakes**

**16½" x 7" Rear, S Cam Type
Air Brakes**

**Steel Belted Radial Tires,
All Wheels**

Emergency Air Tank

Power Steering

65 Amp. Alt.

Dual 6 Volt 204 A.H. Batteries

Gasoline or Diesel Minimum 210 HP

**Allison Automatic Transmission
MT-650**

Transmission Cooling Unit

66 Gallon Safety Fuel Tank

West Coast Mirrors (2) 16" x 7"

Sun Visors

Armrests

Grab Handles

Cigar Lighter

Anchorlok Parking Brake

Complete Engine Gauges

Tachometer with Engine Hour Meter

Vertical Muffler & Tail Pipe

**Electric 2-Speed W/S Wipers
and Washers**

Seat Belts

Fresh Air Heater & Defroster

**Permanent Type Anti-Freeze to
- 20 degrees**

Cast Spoke Wheels - 8.00 V Rims

Vernier Hand Throttle

Rear Flood Illumination Lamp

Back Up Warning Horn

The company reserves the right under its product improvement policy to change construction or design details and furnish equipment when so altered without reference to illustrations or specifications used herein.

PRINTED IN U.S.A.