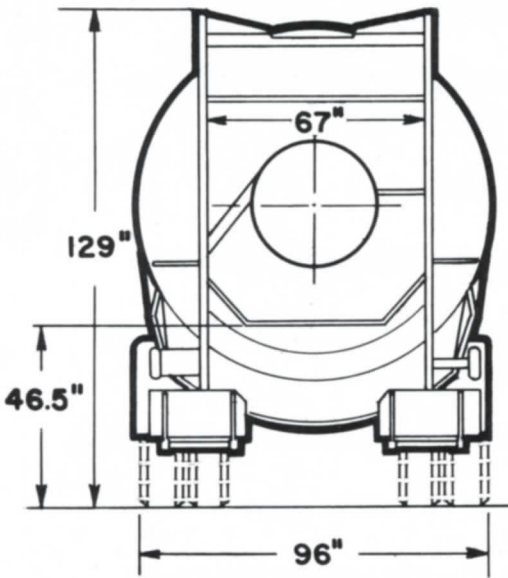
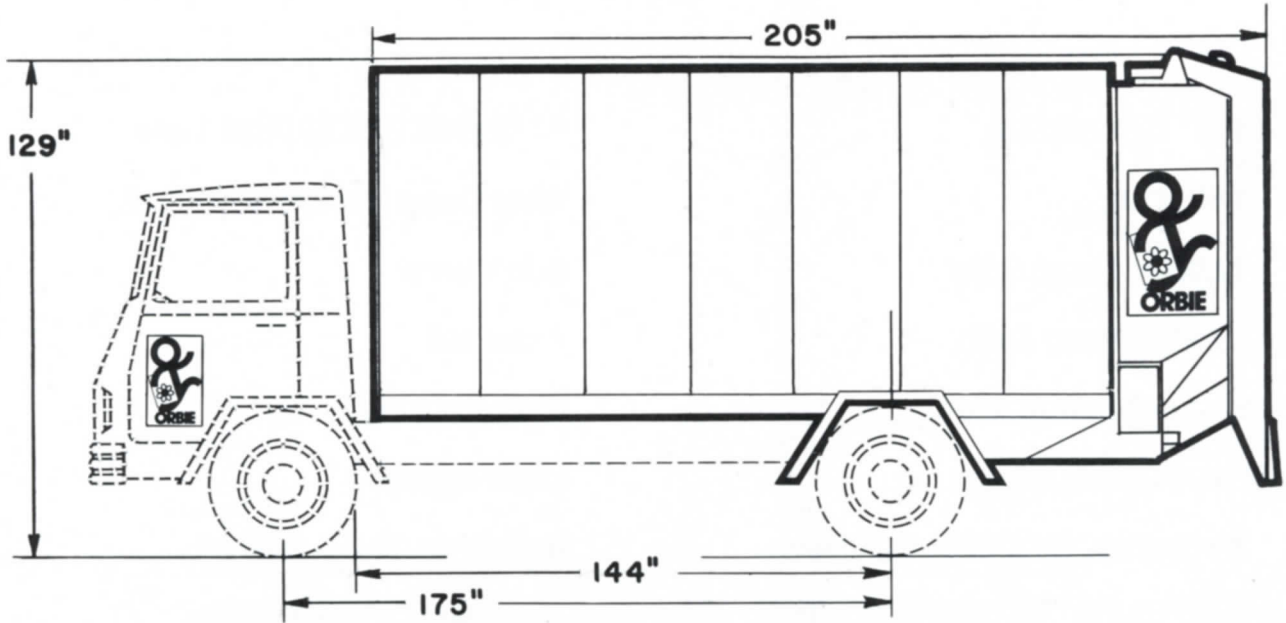


ORBIE

MODEL 202B



TYPICAL TRUCK FEATURES

WEIGHTS	FRONT AXLE	REAR AXLE	TOTAL
Chassis Cab	6630	3270	9900 lbs.
Body (dry)	800	7500	8300 lbs.
Payload	3770	12,230	up to 16,000 lbs.
Total	11,200	23,000	up to 34,200 lbs.
GVWR			35,000 lbs.



ORBITAL COLLECTION SYSTEMS, INC.
 1730 K St., N.W. Washington, D.C. 20006
 (202) 296-0620 Telex 440306

TYPICAL CHASSIS SPECIFICATIONS

MODEL 202B

175" Wheelbase

144" C.A.

12,000# Front Axle

23,000# Rear Axle

Frame Reinforcement

Two Front Tow Eyes

Air Brakes, 12 CFM Compressor

**16¼" x 3½" Front, S Cam Type
Air Brakes**

**16½" x 7" Rear, S Cam Type
Air Brakes**

**Steel Belted Radial Tires,
All Wheels**

Emergency Air Tank

Power Steering

65 Amp. Alt.

Dual 6 Volt 204 A.H. Batteries

Gasoline or Diesel Minimum 210 HP

**Allison Automatic Transmission
MT-650**

Transmission Cooling Unit

53 Gallon Safety Fuel Tank

West Coast Mirrors (2) 16" x 7"

Sun Visors

Armrests

Grab Handles

Cigar Lighter

Anti-Skid Brake System

Complete Engine Gauges

Tachometer with Engine Hour Meter

Vertical Muffler & Tail Pipe

**Electric 2-Speed W/S Wipers
and Washers**

Seat Belts

Fresh Air Heater & Defroster

**Permanent Type Anti-Freeze to
- 20 degrees**

Cast Spoke Wheels - 8.00 V Rims

Vernier Hand Throttle

Rear Flood Illumination Lamp

Back Up Warning Horn

The company reserves the right under its product improvement policy to change construction or design details and furnish equipment when so altered without reference to illustrations or specifications used herein.

PRINTED IN U.S.A.