



Universal Handling  
Equipment  
Company

# PROPACK REAR END LOADER



MANUFACTURED IN CANADA

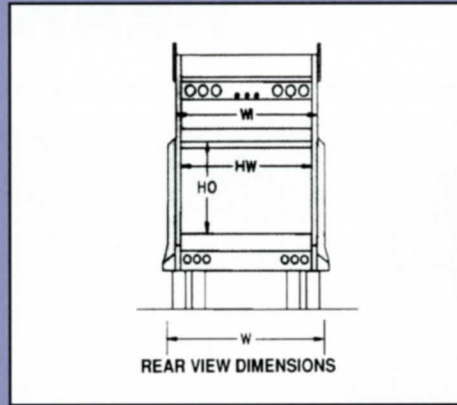
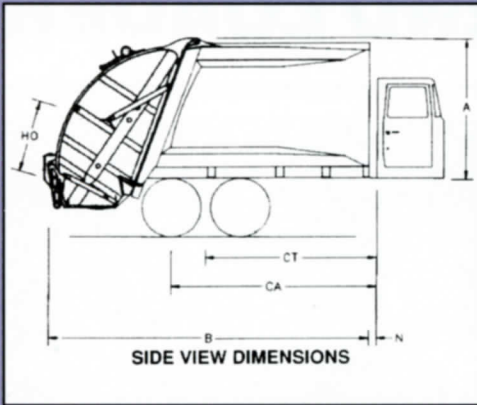
## FEATURES

- **Superior Loading** – exceptionally fast cycle time of 20 seconds – our low height fully usable 3 cu. yd. hopper compacts virtually all types of refuse and recyclables.
- **New Rounded Side Wall** – smooth curved side wall and roof design is lightweight – offers attractive appearance and a superior resistance to compaction forces.
- **Capacities Offered** – 20, 25, & 32 cu. yd. sizes.
- **Armour Plate** – specially formulated plated steel construction provides ultra-light abrasive resistance to compaction forces – it resists deformation, increases longevity and strength, and has low maintenance.
- **Controls** – single lever controls for the tailgate lift and push-out ram located at the front driver's side – tailgate packer and slide activated by a series of mechanical controls at rear.
- **High Performance Hydraulics** – the high performance Commercial Shearing P75 wet valve hydraulic pump with flow control has continuous full flow regardless of packer model – this pump has faster cold weather warm-up, is quieter, and has longer overall life than other pumps.

**CANADA'S LARGEST MANUFACTURER OF  
WASTE HANDLING EQUIPMENT**

*Metropolitan Waste Equip Inc*  
1074 Turnpike Street  
Stoughton, MA 02072  
(781) 344-8262

# SPECIFICATIONS



	20	25	32
A	98 <sup>3</sup> / <sub>4</sub> "	98 <sup>3</sup> / <sub>4</sub> "	98 <sup>3</sup> / <sub>4</sub> "
B	223"	255"	299"
CA	144"	176"	220"
CT (60° Spread)	114"	146"	190"
AF	23"	23"	23"
W	96"	96"	96"
WI	91"	91"	91"
N	6"	6"	6"
HO	51"	51"	51"
HW	80"	80"	80"

## U.H.E. PROPACK R.E.L.

### • BODY SPECIFICATIONS

Fillable Body Capacity (cu. yd.)	20, 25, 32
Est. Average Compaction Ratio	1,000 lbs./cu. yd.
Empty Body Weight 20 cu. yd.	12,400 lbs.
Empty Body Weight 25 cu. yd.	15,600 lbs.
Empty Body Weight 32 cu. yd.	17,600 lbs.
Fillable Hopper Capacity	3 cu. yd.
Hopper Loading Height From Ground	36"

### • STEEL CONSTRUCTION & STRENGTH

Body Floor	3/16" AR 425 140,000 PSI Yield
Body Walls and Roof	1/8" AR 500 200,000 PSI Yield and 11 GA 50W 50,000 PSI Yield
Ram Face	1/8" AR 500 200,000 PSI Yield
Hopper Plate	1/4" AR 425 140,000 PSI Yield
Hopper Wear Plates	3/4" 50,000 PSI Yield

### • HYDRAULIC SPECIFICATIONS

Cylinders	Number	Size
Slide	2	4 <sup>1</sup> / <sub>2</sub> " Bore
Packing	2	4" Bore
Ejection	1	Telescope Multi-Stage
Tailgate Lift	2	3" Bore

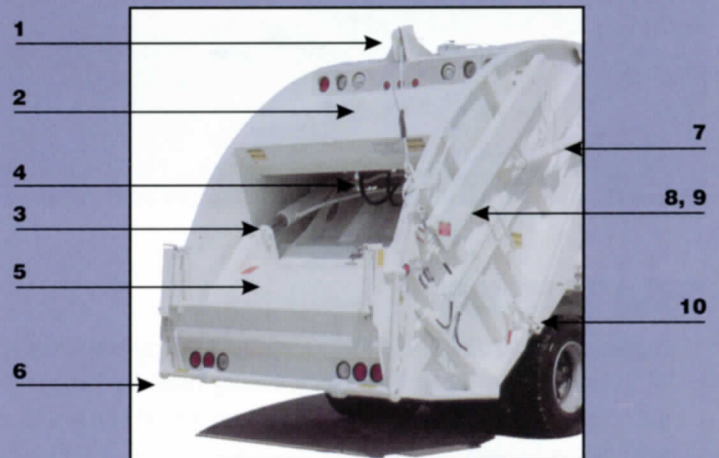
Normal Operating Pressure	2700 PSI
Hydraulic Pump Capacity	35 GPM @ 1,300 RPM
Hydraulic Reservoir Capacity	46 Gal. (U.S.)
Suction Filter	140 micron
Return Line Filter	7 micron

Meets All ANSI Safety Standards

### OPTIONS

- Automatic or Mechanical Tailgate Lock
- Container Tipper Bar
- Hydraulic Spool Winch
- Cart Dumpers
- Hopper Spotlights
- Curb Spotlights
- Side Charging Door
- Hi Density Cylinder Package Available
- Extended Warranties Available

### TAILGATE



- |   |  |
|---|--|
| 1. Optional Winch                         | 6. Optional Container Tipping Mechanism    |
| 2. Easy Off Covers                        | 7. Long Stroke Cylinder                    |
| 3. Packer & Slide Cylinders in Same Plane | 8. Control Linkage                         |
| 4. Easy Access Grease Fittings            | 9. Control Handles                         |
| 5. Heavy Duty Packer & Slide              | 10. Automatic or Mechanical Locking Device |

1650 Industrial Dr.  
South East Industrial Park  
Owosso, Michigan 48867  
Tel: (517) 725-1640  
Fax: (517) 725-1322

100 Burland Crescent  
P.O. Box 3488, Station C  
Hamilton, Ont. L8H 7M1  
Tel: (905) 547-0161  
Fax: (905) 549-6922

4024-39139 Highway 2A  
Red Deer County, Alberta  
T4S 2A8  
Tel: (403) 346-1233  
Fax: (403) 340-8720