



Universal Handling  
Equipment  
Company

## UFL 80/40 HALF PACK FRONT END LOADER



### FEATURES

- Roof, wall, floor and tailgate skins made of abrasion resistant high strength armour plate steel.
- Lightweight body allowing increased legal payload
- 8 point locking mechanism on tailgate.
- Rubber mounted lights completely sealed for reduced maintenance.
- Integrated in cab proportional pneumatic controls.
- 8000# arm lifting capacity.
- Hydraulically cushioned arm cylinders to eliminate cylinder shock leading to longer life.
- Hydraulically controlled top door operates independently of arm movement.
- 12 month full parts & labour warranty.

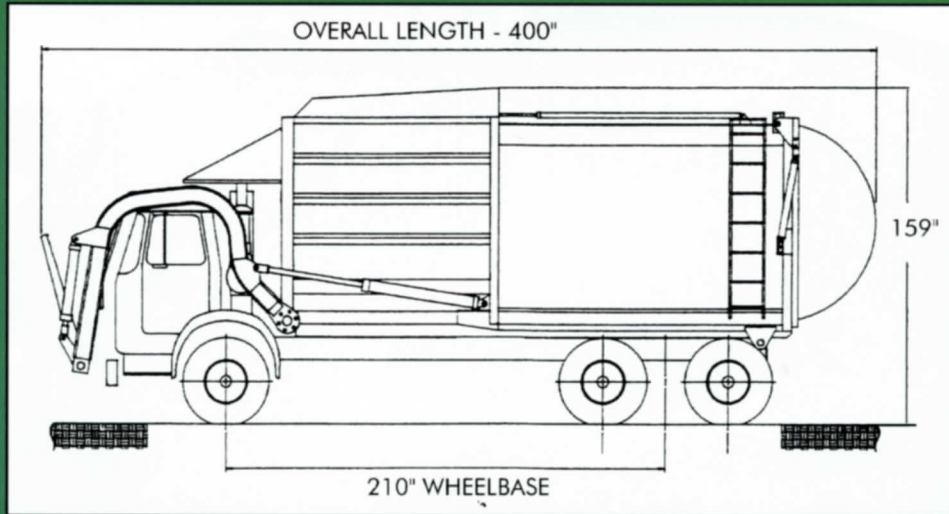
### OPTIONS

- Patented Inflatable tailgate seal ensuring retention of liquids.
- Nitrided cylinder rods for superior wear resistance against corrosion and mechanical damage.
- Cart dumping systems allowing pick-up of various recycling carts.
- Dynamic on board weighing systems.
- Lifiable axles.
- Wear Max 5000 – Extends ram guide material life.
- Unitest Hydraulic System.

Metropolitan Waste Equip Inc  
1074 Turnpike St.  
Stoughton, MA 02072  
(781) 344-8262

# SPECIFICATIONS

## UFL 80/40 HP FRONT END LOADER FULL EJECT



<b>CONSTRUCTION SPECIFICATIONS</b>		
<b>BODY</b>	<b>Thickness</b>	<b>mm</b>
Floor	3/16" AR 360	4.6
Walls	1/8" AR500	3.0
Roof	1/8" AR500	3.0
<b>RAM</b>		
Face	3/16" & 1/4" AR360/425	6.0
Sides	1/8" AR500	3.0
Floor	3/16" AR360	4.6
<b>HOPPER</b>		
Floor	1/4" AR425	6.0
Lower Wall	3/16" AR360	4.6
Upper Wall	1/8" AR500	4.6
<b>TAILGATE</b>		
Sides	1/8" AR500	3.0
Back	1/8" AR500	3.0

<b>CHASSIS REQUIREMENT</b>			
<i>Wheelbase</i>		<i>Recommended GVWR</i>	
IN	MM	LBS.	KG.
210	5,334	64,000	29,030

<b>BODY SPECIFICATIONS</b>	
Capacity	40 yd.
Overall Length (1)	400 in.
Overall Width	102 in.
Overall Height (2)	159 in.
Hopper Opening	80 x 93 in.
(1) Forks up, Arms down (2) Arms up	

<b>CYLINDERS</b>		
	Bore (in)	Stroke (In)
Chromed 3 Stage Telescopic		164
Arms Nitrided	5	44 1/4
Forks Nitrided	4	26
Hopper Cover	2	59
Tailgate	3 1/4	31

<b>HYDRAULIC SPECIFICATIONS</b>	
<b>PUMP</b>	
Type	Gear
Maximum operating pressure	2000 p.s.i. (13,790 kPa)
Working RPM	1700 approximate
GPM at working RPM	68 (257 litres/minute)
<b>OIL RESERVOIR</b>	
Tank Capacity	47 gallons (178 litres)
Filters	7 Micron in tank return filter 100 Micron suction strainer
<b>VALVES</b>	
Type	5 section stack valve on body

### Tipper Model and Ultra Light Weight Models Available

1650 Industrial Dr.  
South East Industrial Park  
Owosso, Michigan 48867  
Tel: (517) 725-1640  
Fax: (517) 725-1322

100 Burland Crescent  
P.O. Box 3488, Station C  
Hamilton, Ont. L8H 7M1  
Tel: (905) 547-0161  
Fax: (905) 549-6922

4024-39139 Highway 2A  
Red Deer County, Alberta  
T4S 2A8  
Tel: (403) 346-1233  
Fax: (403) 340-8720