

BURRO SERIES



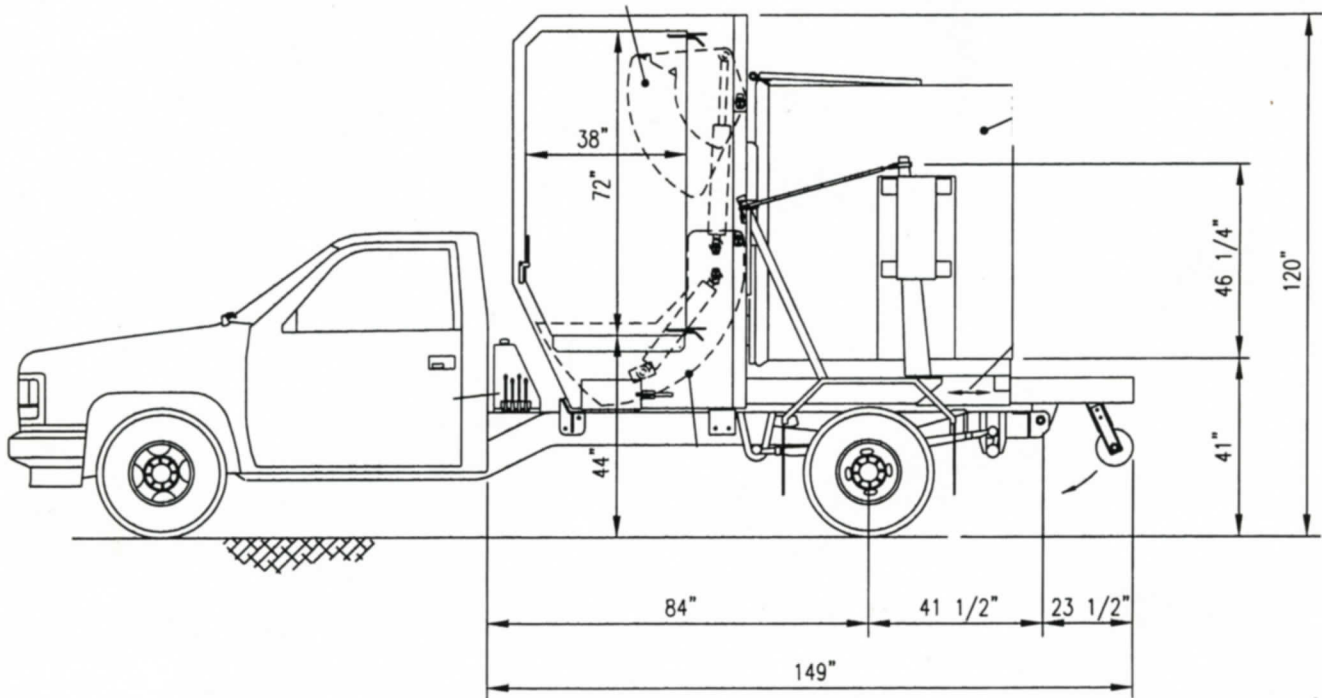
- Low initial cost, low maintenance
- Great maneuverability in tight places
- Incredible 500 lbs./yd³ compaction ratio
- Versatile - can be used to feed front or rear load Shuttle vehicles
- Mounts on any 15,000 lbs. GVW chassis



***“This little guy
can pack a load.”***

George Seagull





Technical highlights

APPROXIMATE WEIGHT*

Body weight (lbs.): 5,000
Container weight (lbs.): 1,000
Payload weight (lbs.): 4,000

* Please call for detailed weight information.

CYCLE TIMES

Pack cycle: 24 seconds

FEATURES

The Burro is the ideal choice for those who want the solid reliability of a Wittke made product in a small and maneuverable multipurpose vehicle.

The Burro can be installed on any one ton chassis with a 15,000 lbs. GVW without having to alter the chassis frame to attain a reasonable throw in height. The Burro packs into any 6 or 8 cubic yard front load container or any 6 or 8 cubic yard rear load container. Its unique patented design makes it much more efficient than any small rear loader. It is also the ideal container loading and dumping from inside the cab and streetside, as well.

Its light weight, large capacity, easy handling and economical cost make the Burro a wonder in efficient design. And why not - it's a Wittke.



Wittke Waste Equipment
1496 Brier Park Crescent N.W.
Medicine Hat, Alberta
Canada T1C 1T8
Phone 403-527-8806
Fax 403-529-1821
Toll Free 1-877-WITTKE1
(948-8531)
www.wittke.com

U.S. Parts Distribution Depot
Distribution by:



BURRO BODY SPECIFICATIONS

Packer Blade

- Material: 10 gauge reinforced--side shields-1/4" plate T-1.
- Size: Total-29 3/4" x 64"-straight blade size-15 1/4" x 64".
- Hydraulic cylinders: 2 - 3 1/2" dia. cylinder-1 1/4" shaft dia. - operates @ 1500 psi
- Force: 28,849 lbs. blade force.

Hopper

- Material: Short wall - 10 ga - long wall - 3/8" plate T-1 - sides - 3/8" A514 - high tensile steel.
- Volume: Measured to side top level - 16.4 cu. ft.
- Hydraulic cylinders: Two 3" dia. cylinders.
- Maximum force: 21,205 lb. @ 1500 psi..

Packer Blade-Hopper Cycle Time

- 26 seconds.

Hydraulic system

- Pump capacity 15 gpm.
- Pump maximum rpm 2000.
- System pressure relief 1500 psi.
- Oil filter-Gresen #FB 215.
- Oil type-SAE #10 hydraulic oil or equivalent.
- Belt driven pump activated by electric clutch.
- Seamless steel hydraulic tubing.



Slide

- Heavy duty steel construction. Forks are made from 3/4" plate. Slide pads are 1/2" teflon.
- Lift capacity - 8500 lbs.
- Maximum stroke - 36".
- 3" hydraulic cylinder.

Tilt

- Heavy steel construction frame.
- Maximum tilt - 95 degrees.
- Two 4.25" hydraulic cylinders.

The Loading Doors and Door Openings

Shall be made to accommodate the installation of dumping devices for 90 gallon wheel-type roll out cars currently on the market.

Miscellaneous

- Body sides and side doors - 14 ga sheet metal.
- Fenders and tailgate light brackets included.
- Packing controls on both sides of hopper opening.
- Tilt and slide controls on street side as well as in cab.